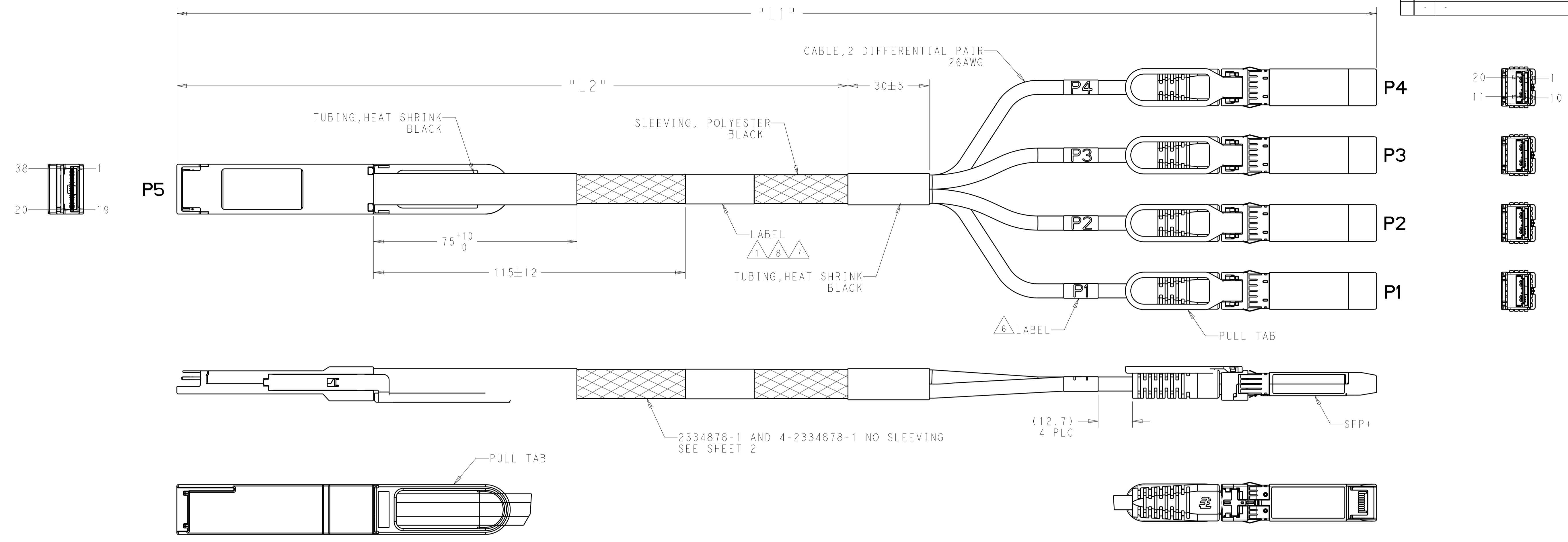
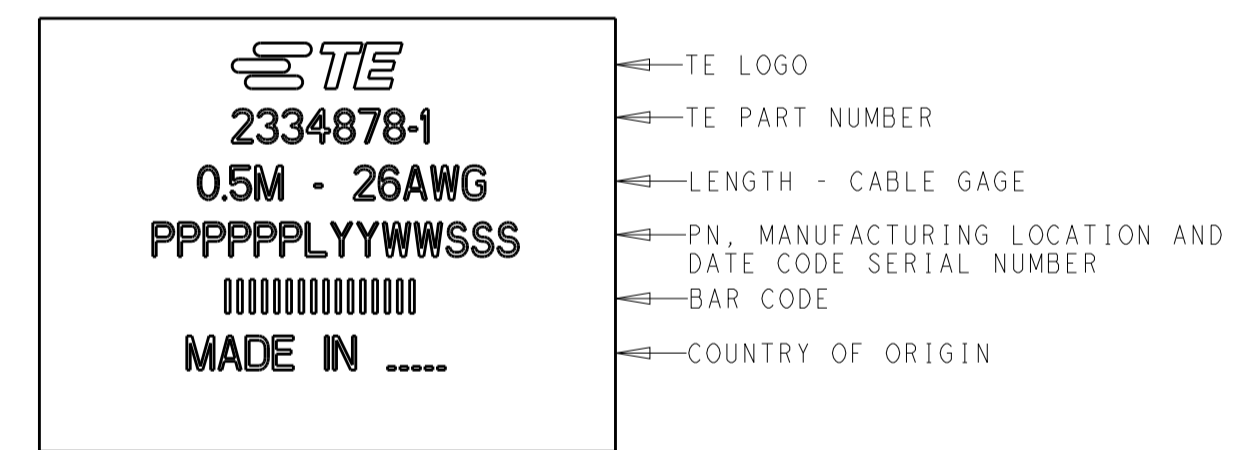


| REVISIONS | | | | |
|-----------|-----|---------------------------|-----------|-------|
| P | LTN | DESCRIPTION | DATE | APVD |
| A | | PER ECO-18-020143 | 31DEC2018 | MY GF |
| B | | REV PER ECO-19-013192 | 27AUG2019 | TS GF |
| B1 | | REVISED PER ECO-19-013383 | 30AUG2019 | AP GF |
| - | - | - | - | - |



1 LABEL INFORMATION FOR 25 GIG PNS (-1 THRU -10): -1 SHOWN



- 2. SEE SHEET 2 FOR WIRING SCHEMATIC.
- 3. PRODUCT AND PROCESSING MUST MEET THE REQUIREMENTS OF TE SPECIFICATION TEC-138-702.
- 4. CABLE ASSEMBLY TO BE TESTED FOR OPENS, SHORTS AND PROPER EEPROM PROGRAM.

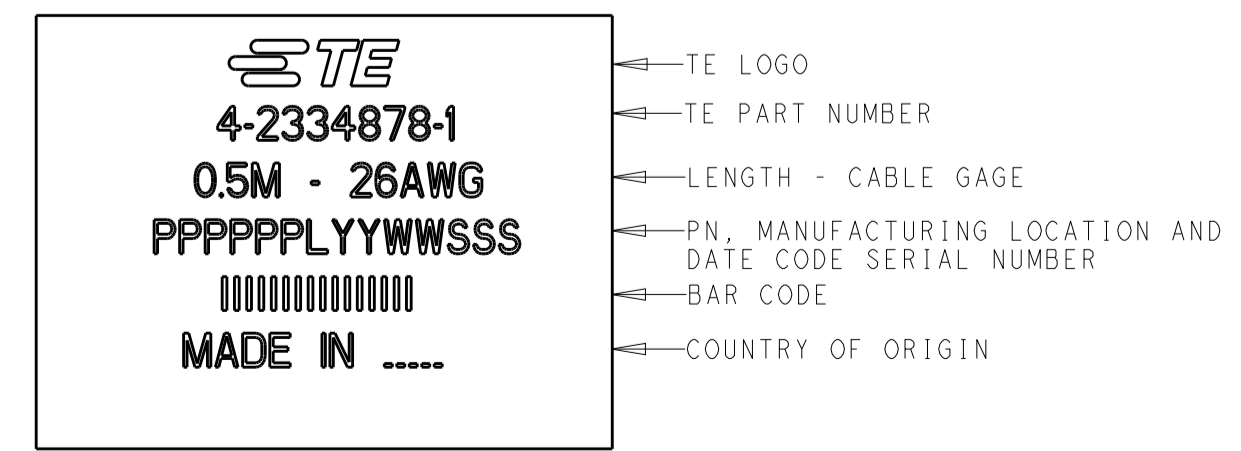
5 TEST IN ACCORDANCE WITH IEEE802.3bj.

6 LABEL INFORMATION: P1 SHOWN



7 SEE SHEET 2 FOR 2334878-1 AND 4-2334878-1 LABEL PLACEMENT.

8 LABEL INFORMATION FOR 56 GIG PNS (-41 THRU -46): -41 SHOWN



9 DASH NUMBER 41 THRU 46 CONFORM TO 56G, PAM-4 IEEE802.3CD PERFORMANCE REQUIREMENTS.

| STANDARD | GAGE | "L2" | "L1" | PART NO | |
|----------|---------|------------|-------------|-------------|-------------|
| 9 | 26 | 1000 ±25 | 3000 +80/-0 | 4-2334878-6 | |
| | 26 | 1000 ±25 | 2500 +80/-0 | 4-2334878-5 | |
| | 26 | 700 ±25 | 2000 +80/-0 | 4-2334878-4 | |
| | 26 | 500 ±25 | 1500 +50/-0 | 4-2334878-3 | |
| | 26 | 330 ±25 | 1000 +50/-0 | 4-2334878-2 | |
| | 26 | 120 ±12 | 500 +50/-0 | 4-2334878-1 | |
| | 5 | 26 | 2000 ±25 | 5000 +80/-0 | 1-2334878-0 |
| | | 26 | 2000 ±25 | 4500 +80/-0 | 2334878-9 |
| | | 26 | 2000 ±25 | 4000 +80/-0 | 2334878-8 |
| 26 | | 2000 ±25 | 3500 +80/-0 | 2334878-7 | |
| 26 | | 1000 ±25 | 3000 +80/-0 | 2334878-6 | |
| 26 | | 1000 ±25 | 2500 +80/-0 | 2334878-5 | |
| 26 | | 700 ±25 | 2000 +80/-0 | 2334878-4 | |
| 26 | | 500 ±25 | 1500 +50/-0 | 2334878-3 | |
| 26 | | 330 ±25 | 1000 +50/-0 | 2334878-2 | |
| 26 | 120 ±12 | 500 +50/-0 | 2334878-1 | | |

THIS DRAWING IS A CONTROLLED DOCUMENT.

OWN: Y1 05MAY2018

CHK: G. FRANKLIN 05MAY2018

APVD: G. FRANKLIN 05MAY2018

TE Connectivity

NAME: CABLE ASSEMBLY, QSFP28 TO (4) SFP+ 26AWG

SIZE: A1

CAGE CODE: 100779

DRAWING NO: 2334878

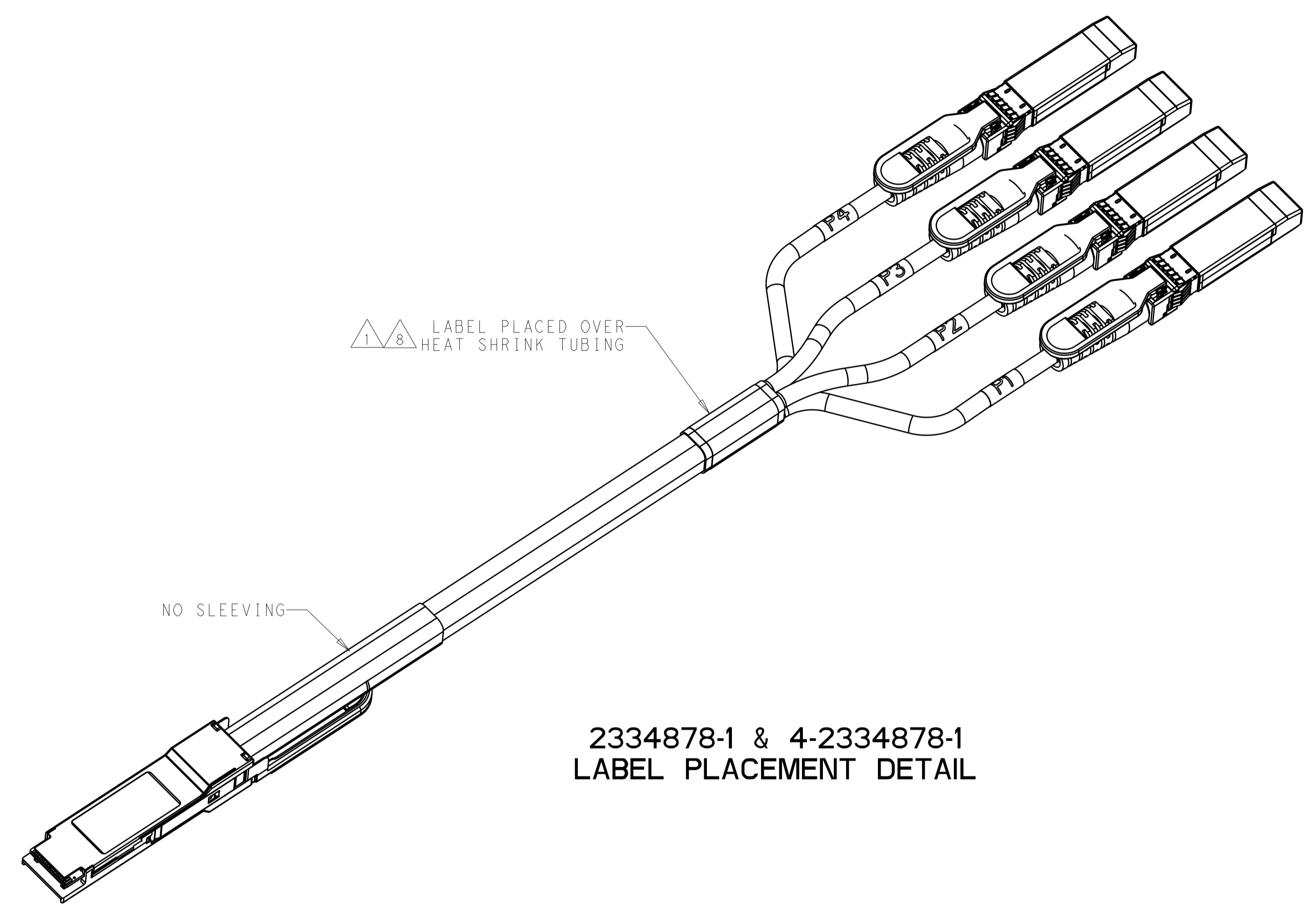
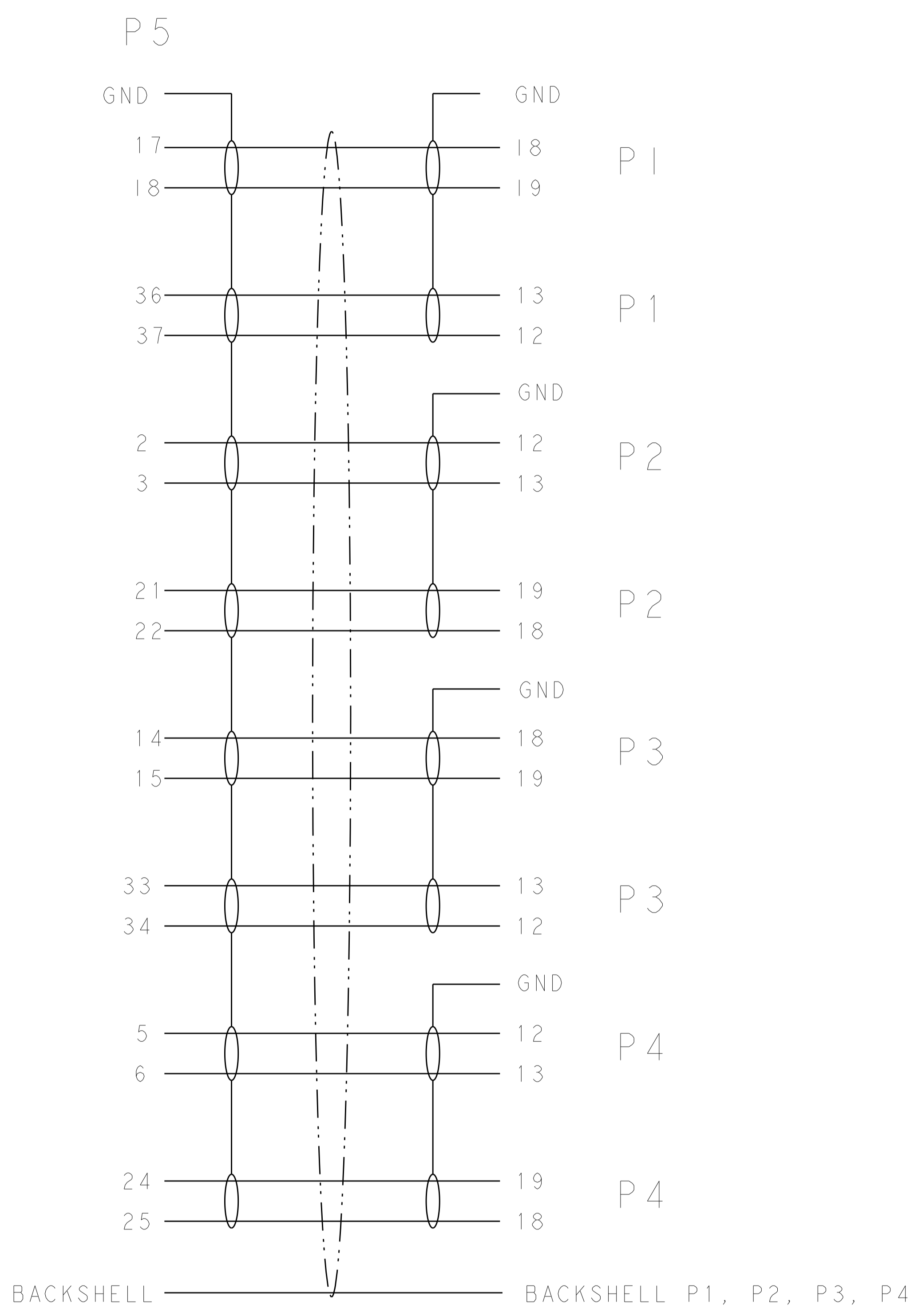
RESTRICTED TO: RESTRICTED CUSTOMER

SCALE: 5:4

SHEET: 1 OF 2

REV: B1

| REVISIONS | | | | |
|-----------|-----|-------------|------|------|
| P. | LTN | DESCRIPTION | DATE | APVD |
| | | SEE SHEET 1 | | |
| | | | | |
| | | | | |



2334878-1 & 4-2334878-1
 LABEL PLACEMENT DETAIL

| | | | |
|---|--|-----------------------------|--|
| THIS DRAWING IS A CONTROLLED DOCUMENT. | | OWN: Y1 05MAY2018 | TE Connectivity |
| DIMENSIONS: mm | | CHK: G. FRANKLIN 05MAY2018 | |
| TOLERANCES UNLESS OTHERWISE SPECIFIED: 0 PLC ± 1 PLC ± 2 PLC ± 3 PLC ± 4 PLC ± ANGLES ± | | APVD: G. FRANKLIN 05MAY2018 | NAME: CABLE ASSEMBLY, QSFP28 TO (4) SFP+ 26AWG |
| MATERIAL: - | | FINISH: - | RESTRICTED TO: - |
| | | WEIGHT: - | RESTRICTED TO: - |
| | | RESTRICTED CUSTOMER | SCALE: 3:2 SHEET 2 OF 2 REV: B1 |