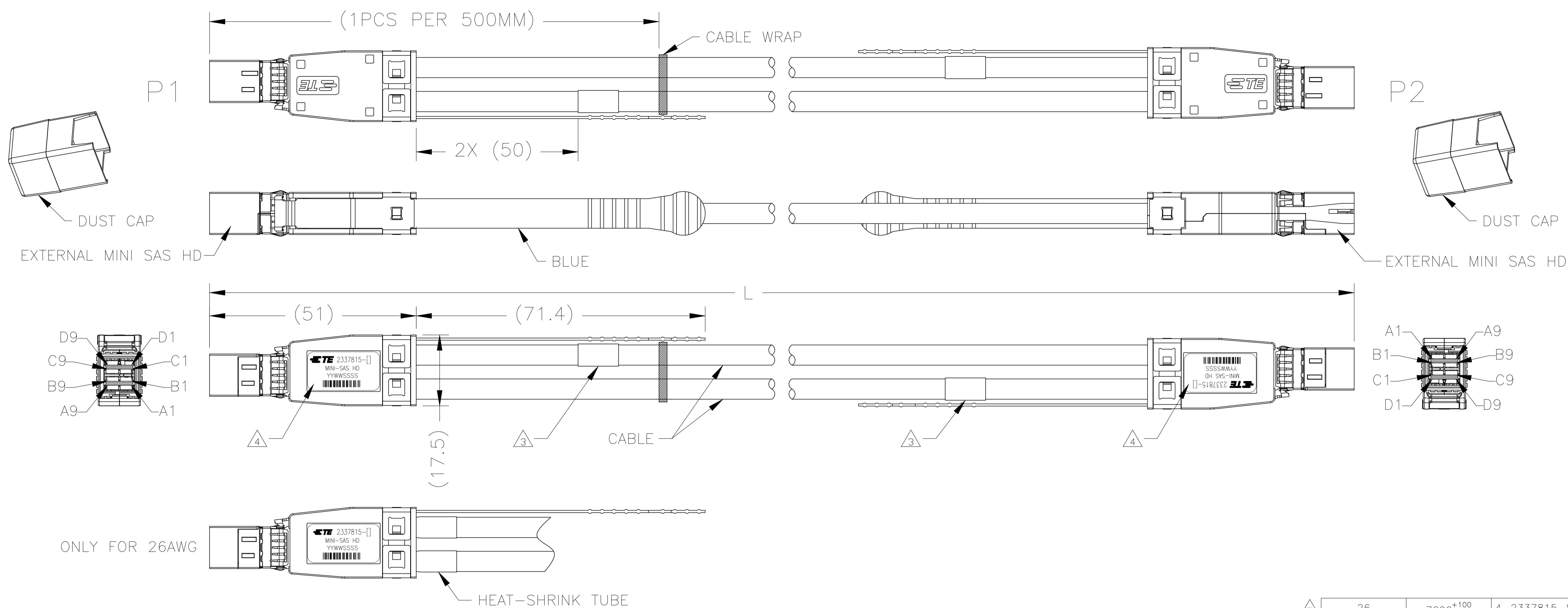
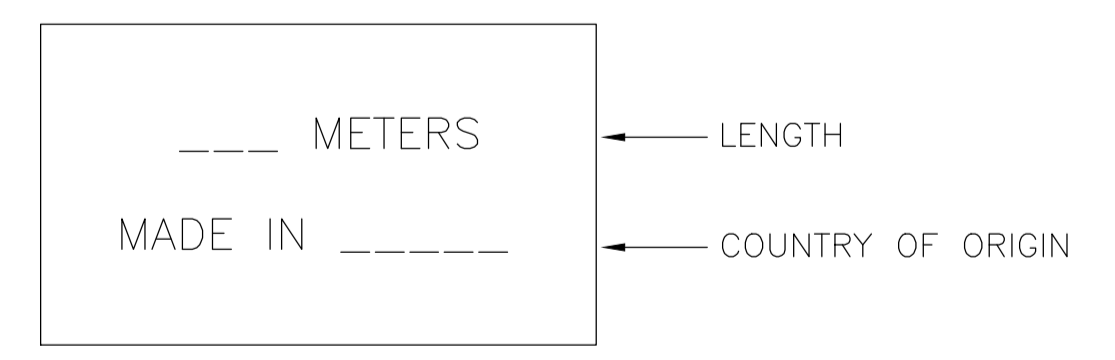


| REVISIONS | | | | | |
|-----------|-----|-------------|-----------|-----|------|
| P | LTR | DESCRIPTION | DATE | DMN | APVD |
| A | | RELEASE | 13MAY2019 | KY | DZ |

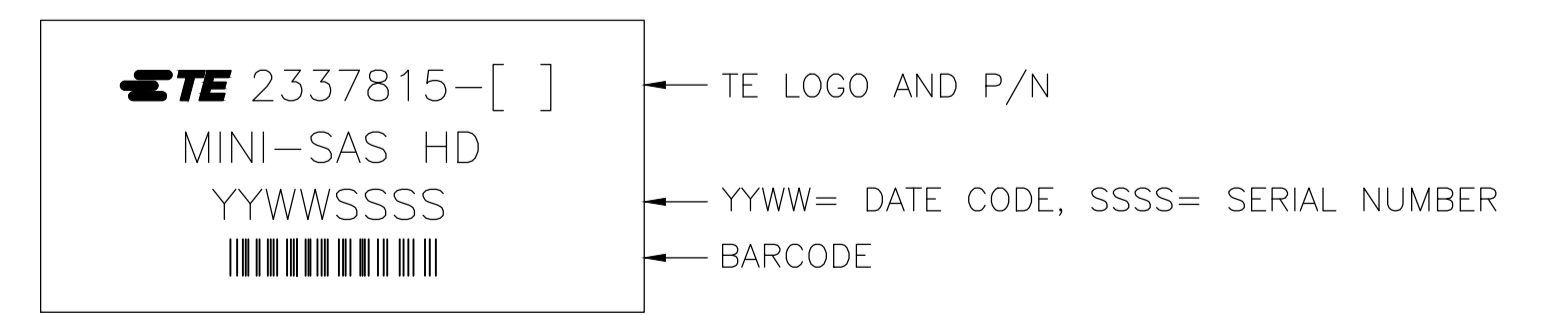


1. ASSEMBLY TESTED FOR CONTINUITY, OPENS, SHORTS, EEPROM PROGRAM AND SIGNAL INTEGRITY.
2. ROHS AND REACH COMPLIANCE: PRODUCT AND PROCESSING MUST MEET REQUIREMENTS OF TE SPECIFICATION TEC-138-702.

3 LABEL INFORMATION:



4 LABEL INFORMATION:



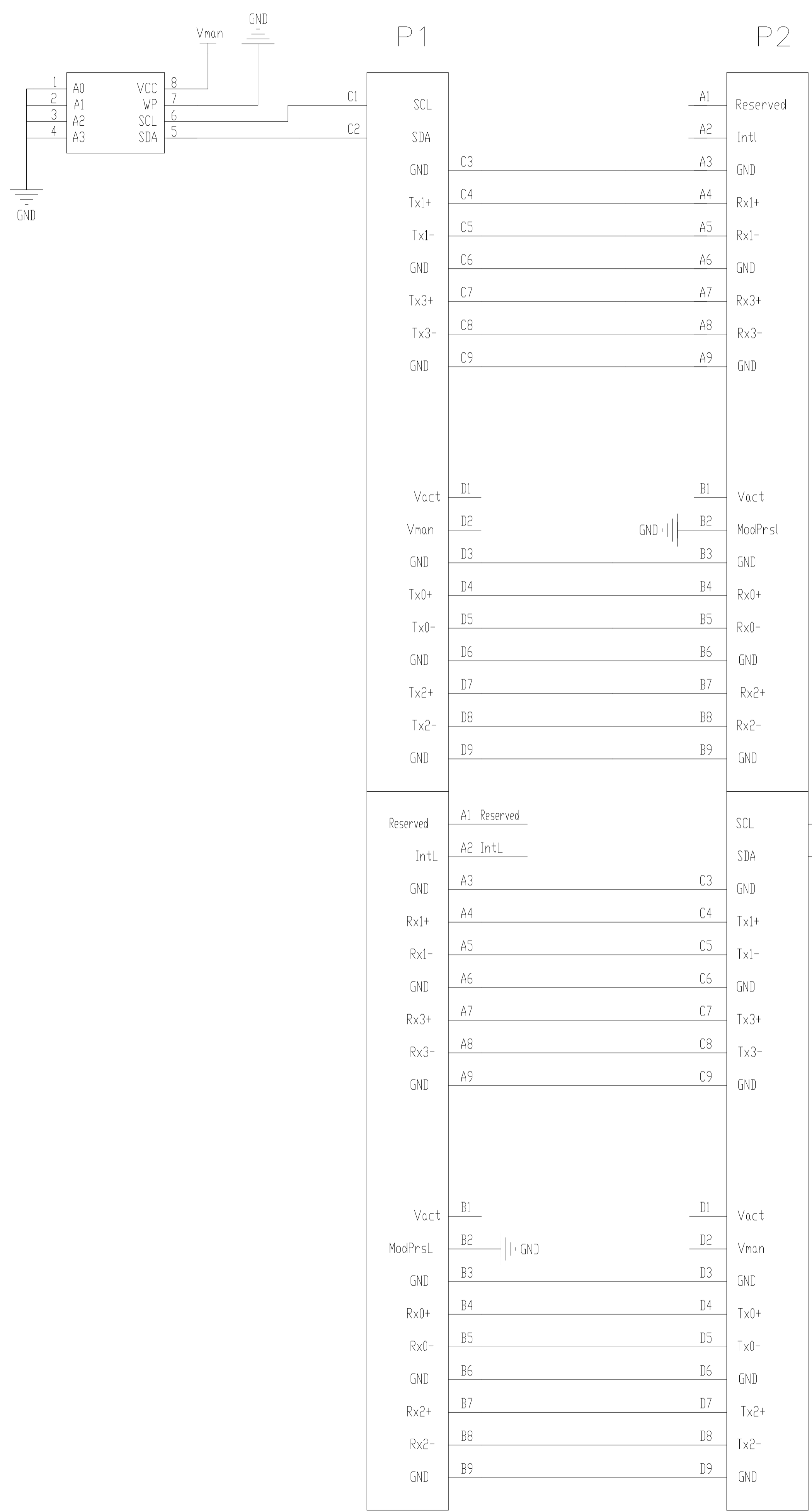
5 4-2337815-8 CAN NOT MEET SI SPECIFICATION OF SAS3.0.

| AWG | L | PART NO. |
|-----|------------------------------------|-------------|
| 26 | 7000 ⁺¹⁰⁰ ₋₀ | 4-2337815-8 |
| 26 | 6000 ⁺¹⁰⁰ ₋₀ | 4-2337815-7 |
| 26 | 5000 ⁺¹⁰⁰ ₋₀ | 4-2337815-6 |
| 26 | 4000 ⁺⁸⁰ ₋₀ | 4-2337815-5 |
| 26 | 3000 ⁺⁸⁰ ₋₀ | 4-2337815-4 |
| 26 | 2000 ⁺⁸⁰ ₋₀ | 4-2337815-3 |
| 26 | 1000 ⁺⁵⁰ ₋₀ | 4-2337815-2 |
| 26 | 500 ⁺⁵⁰ ₋₀ | 4-2337815-1 |
| 28 | 5000 ⁺¹⁰⁰ ₋₀ | 2-2337815-6 |
| 28 | 4000 ⁺⁸⁰ ₋₀ | 2-2337815-5 |
| 28 | 3000 ⁺⁸⁰ ₋₀ | 2-2337815-4 |
| 28 | 2000 ⁺⁸⁰ ₋₀ | 2-2337815-3 |
| 28 | 1000 ⁺⁵⁰ ₋₀ | 2-2337815-2 |
| 28 | 500 ⁺⁵⁰ ₋₀ | 2-2337815-1 |
| 30 | 3000 ⁺⁸⁰ ₋₀ | 2337815-4 |
| 30 | 2000 ⁺⁸⁰ ₋₀ | 2337815-3 |
| 30 | 1000 ⁺⁵⁰ ₋₀ | 2337815-2 |
| 30 | 500 ⁺⁵⁰ ₋₀ | 2337815-1 |
| AWG | L | PART NO. |

THIS DRAWING IS A CONTROLLED DOCUMENT.

| | | | | | |
|-------------|---|---------------------------------------|-----------|----------------------------------|---------------|
| DIMENSIONS: | TOLERANCES UNLESS OTHERWISE SPECIFIED: | DMN | 05JUN2018 | TE Connectivity Ltd. | |
| mm | 0 PLC ± - 1 PLC ± - 2 PLC ± - 3 PLC ± - 4 PLC ± - ANGLES ± - | CHK | 05JUN2018 | | |
| MATERIAL | FINISH | APVD | 05JUN2018 | NAME | |
| | | KYLIN YAO KYLIN YAO DAVID ZHANG | | MINI SAS HD TO MINI SAS HD 4X | |
| | | SIZE | CAGE CODE | DRAWING NO. | RESTRICTED TO |
| | | A1 | 00779 | 2337815 | |
| | | WEIGHT | 0 | | |
| | | CUSTOMER DRAWING | SCALE | 1:1 | SHEET 1 OF 2 |

| REVISIONS | | | | |
|-----------|-----|-------------|------|------|
| P | LTR | DESCRIPTION | DATE | APPD |
| - | - | SEE SHEET 1 | - | - |



| | | | | | |
|--|--|----------------------------|--|-------------------------------------|--|
| THIS DRAWING IS A CONTROLLED DOCUMENT. | | DWG: KYLIN YAO 05JUN2018 | | | |
| DIMENSIONS: mm | | CHK: KYLIN YAO 5JUN2018 | | | |
| TOLERANCES UNLESS OTHERWISE SPECIFIED: | | APPD: DAVID ZHANG 5JUN2018 | | NAME: MINI SAS HD TO MINI SAS HD 4X | |
| 0 PLC ± - | | PRODUCT SPEC | | SIZE: A1 | |
| 1 PLC ± - | | APPLICATION SPEC | | CAGE CODE: 00779 | |
| 2 PLC ± - | | WEIGHT: - | | DRAWING NO: 2337815 | |
| 3 PLC ± - | | MATERIAL: - | | RESTRICTED TO: - | |
| 4 PLC ± - | | FINISH: - | | CUSTOMER DRAWING | |
| ANGLES ± - | | SCALE: 1:1 | | SHEET 2 OF 2 | |
| | | REV: A | | | |