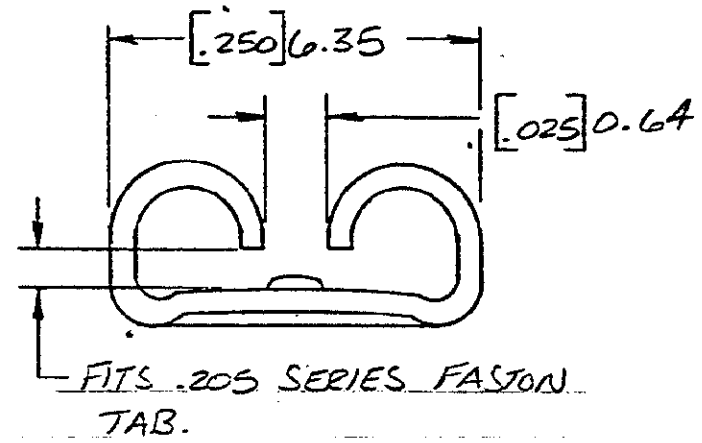
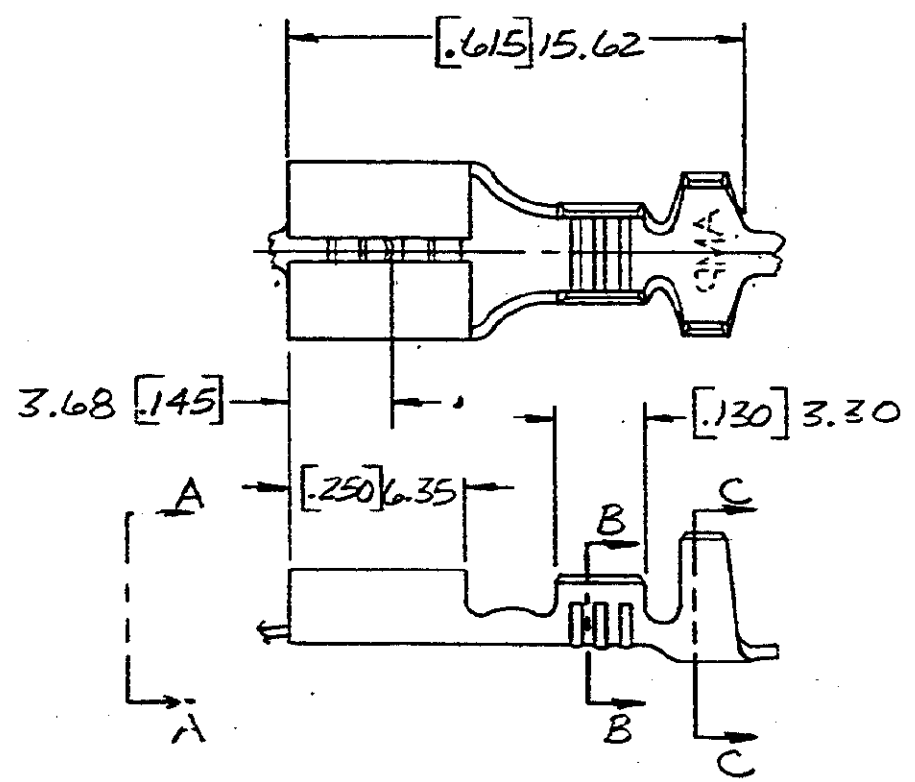
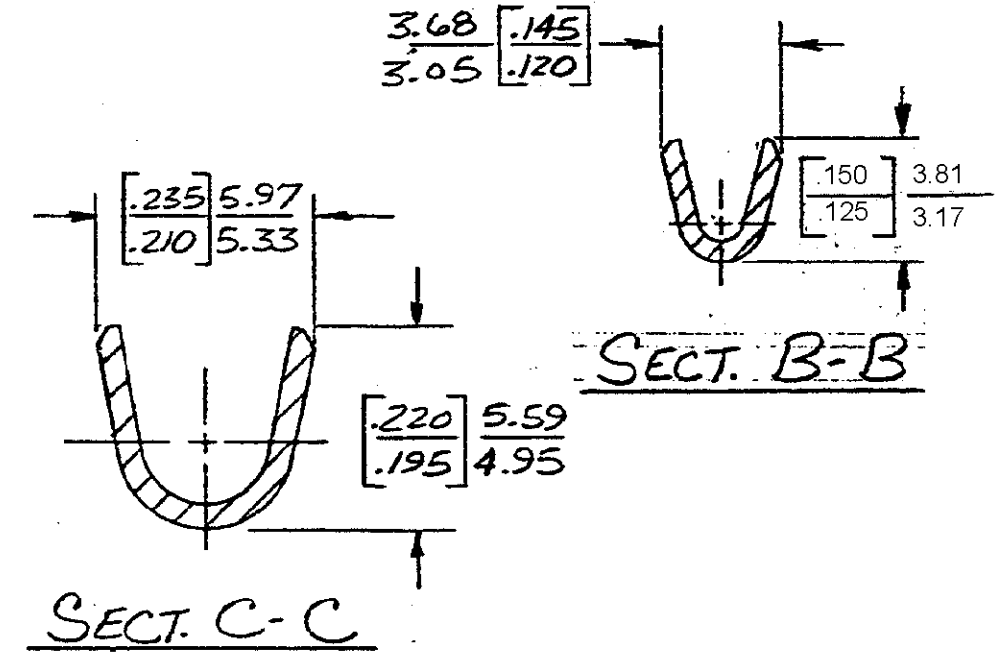


REVISIONS						
P	F	ZONE	LTR	DESCRIPTION	DATE	DWN APVD
			S1	REVISED PER ECO-14-012645	18AUG2014	NK DC



VIEW A-A



1 - DIM'S. IN BRACKETS ARE IN INCHES
2 - CONTINUOUS STRIP ON REELS

[0.130-0.180] 3.30-4.57	[18-14] 0.8-2.0mm ²	TIN	BRASS	[0.020] 0.51	42781-2
OBSOLETE [0.130-0.180] 3.30-4.57	[18-14] 0.8-2.0mm ²	NONE	[0.016] 0.41 BRASS	[0.020] 0.51	42781-1
INSUL. RANGE	WIRE SIZE	FINISH	MATERIAL	TAB THK.	PART NO.
UNLESS OTHERWISE SPECIFIED DIMENSIONS ARE IN INCHES. TOLERANCES ON: DECIMALS [±0.005] 0.25 ANGLES ±		CONTRACT NO		TE Connectivity NAME: .205 SERIES FASTON RECEPTACLE SIZE: B FSCM NO: 00779 DRAWING NO: 42781 SCALE: SHEET:	
MATERIAL		DR: DR Rott 4/30/83			
SEE TABLE		CHK: G Yetter 7/11/83			
FINISH		APPD: C. Mingers 7/14/83			
SEE TABLE		APPD: D. K... 7/14/83		DRAWING NO: 42781	
		DSGN APPD		SHEET	
		OTHER APPD			