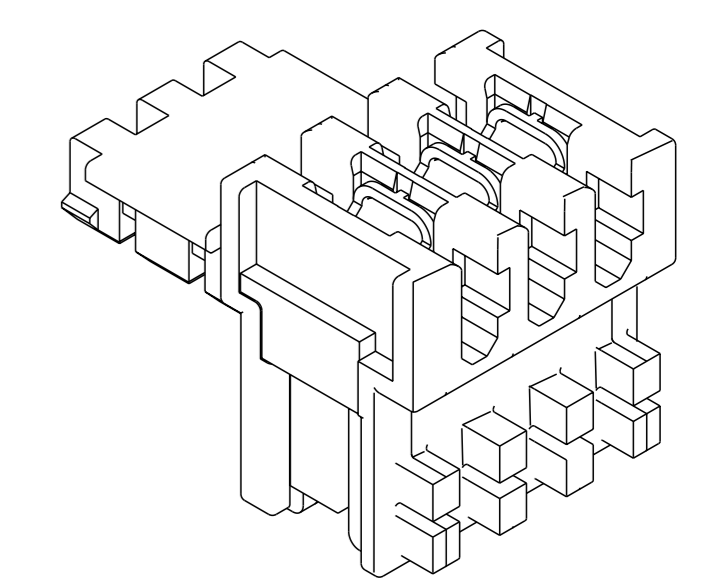
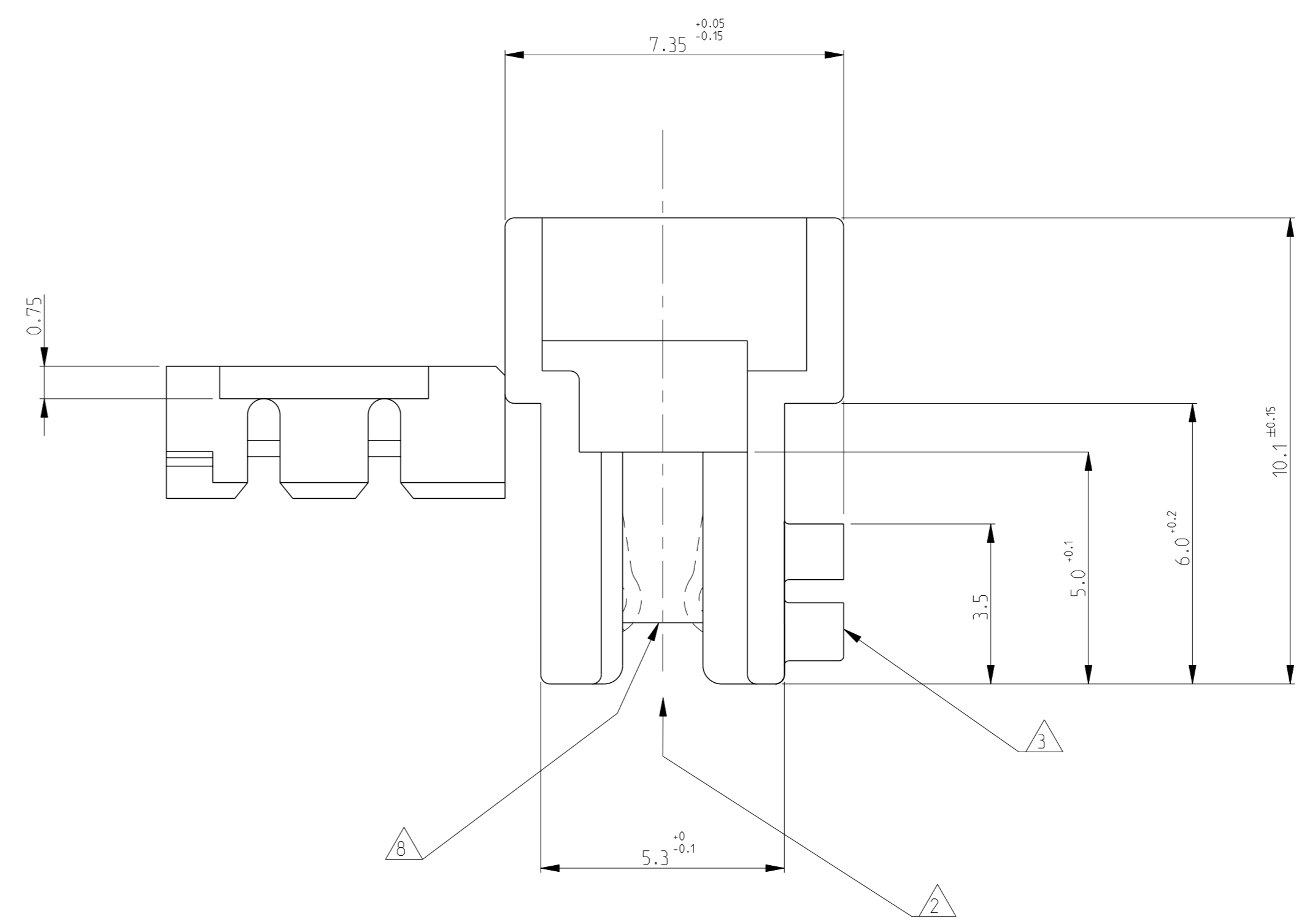
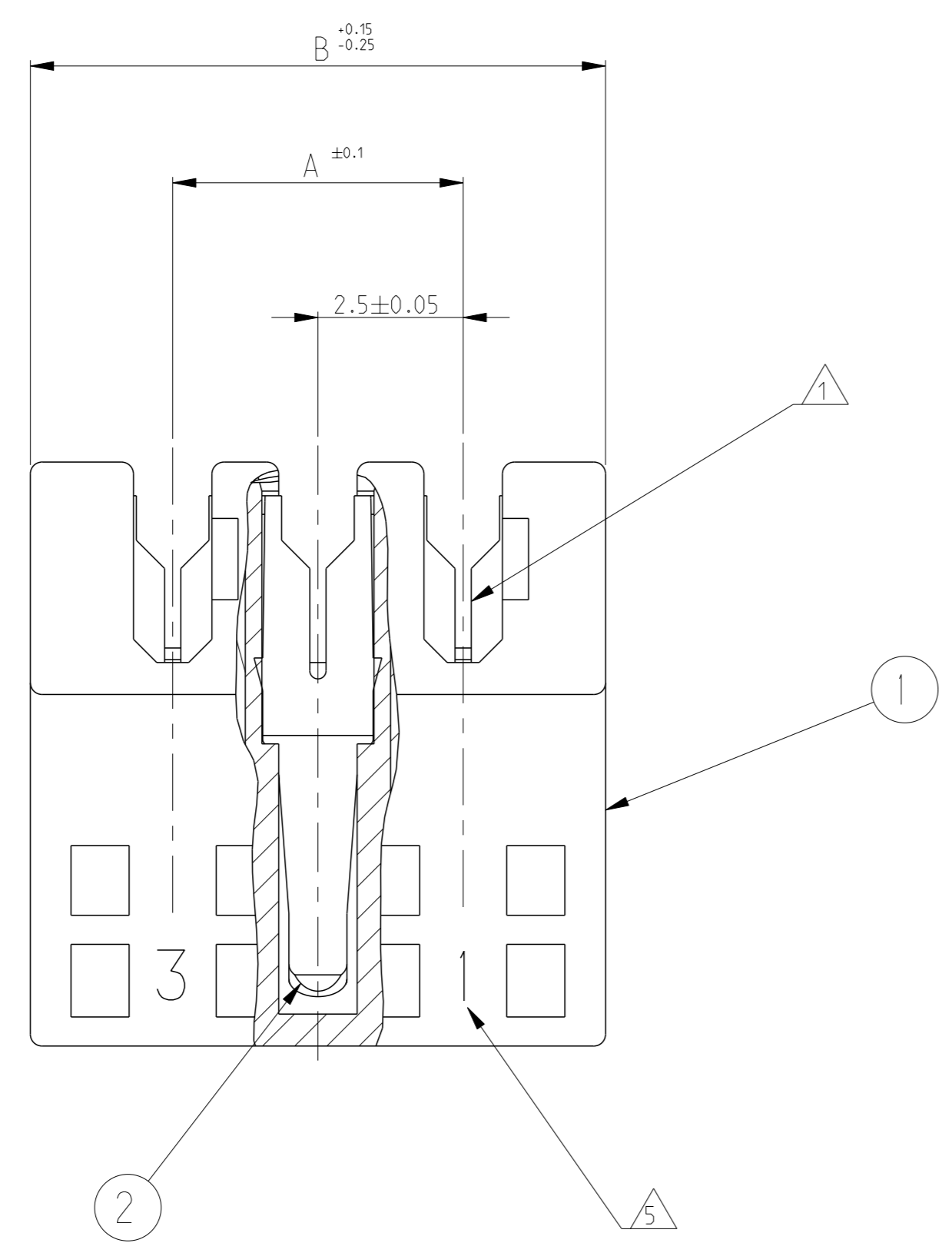
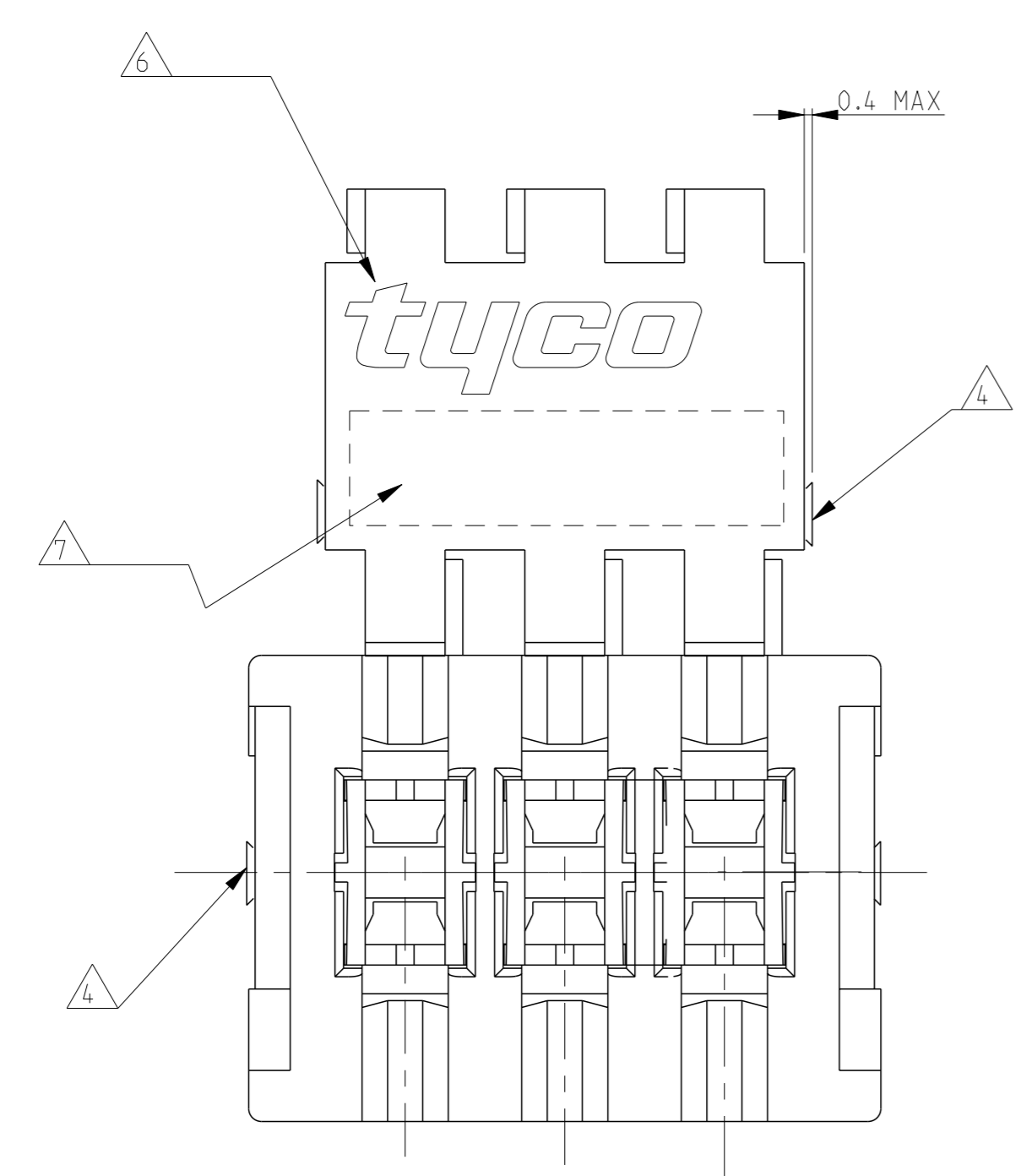


REVISONS		DATE	OWN	APVD
B1	ECR-19-018207	03JAN2020	LZ	FL
B2	ECR-20-002819	14APR2020	LZ	FL



SCALE 5:1  
 P/N 0-284932-3 AS SHOWN



- 1 WIRE RANGE : STRANDED 0.22-0.35 mm<sup>2</sup> (INS. DIA. 1.30±0.1)
- 2 MATING PART: PCB FRAME P/N 964575 (PCB THK 1.5±0.14 COPPER CLADDING INCLUDED) SEE PRODUCT SPEC. 108-18056 FOR FRAME APPLICATION
- 3 KEYING RIBS TO BE REMOVED BY TERMINATION MACHINE
- 4 CUT OFF DIMENSION DUE TO PRODUCTION PROCESS
- 5 CIRCUIT No. IDENTIFICATION
- 6 TE TRADEMARK (OPTIONAL POSITION)
- 7 TAMPOGRAPHIC COLOUR CODE AREA (P/Ns IDENTIFICATION BEFORE CRIMPING)
- 8 POLARIZATION RIB BETWEEN CAVITIES. (SEE SHEET 2 TYPICAL POLARIZATION CUTOFF ON PCB)
- 9 PRELIMINARY PART NOT RELEASED FOR PRODUCTION.
- 10 X - CAVITY LOADED WITH CONTACT  
 O - CAVITY WITHOUT CONTACT
- 11 PBT GF
- 12 PBT GF. UL94-V0 & GWEPT 750 NO-FLAME. NATURAL
- 13 POLARIZATION RIB IN CAVITY 1. (SEE SHEET 2 TYPICAL POLARIZATION CUTOFF ON PCB)
- 14 POLARIZATION RIB IN LAST CAVITY. (SEE SHEET 2 TYPICAL POLARIZATION CUTOFF ON PCB)

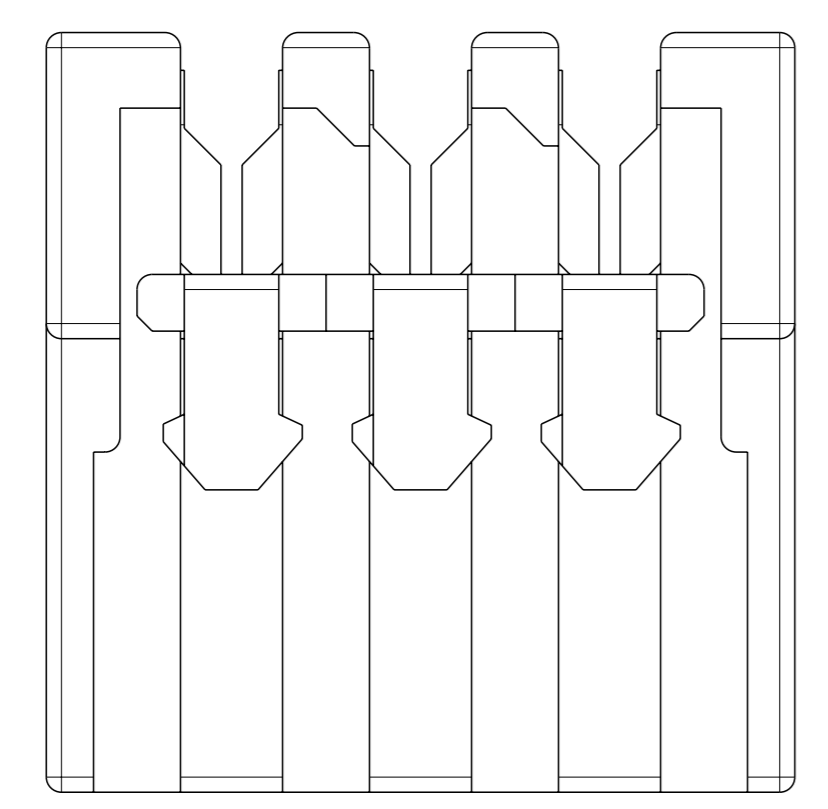
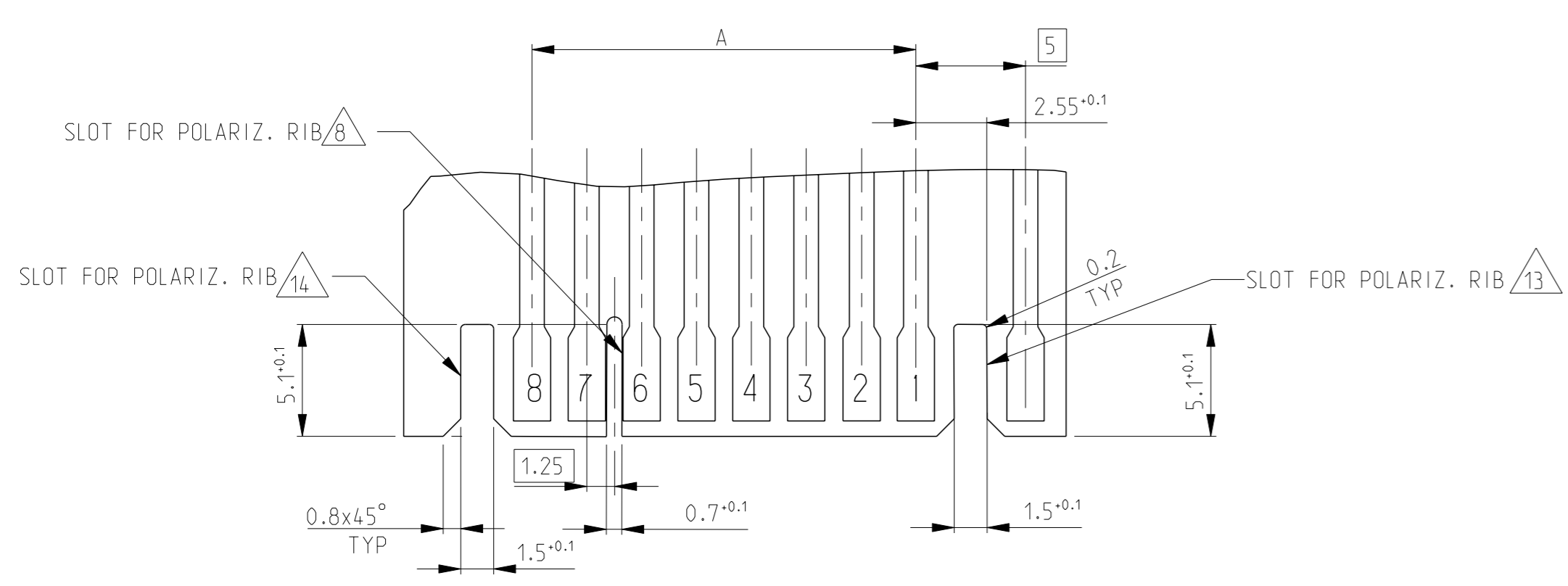
-				THIS DRAWING IS A CONTROLLED DOCUMENT.		OWN: R. FABRIS 27FEB2004	TE Connectivity
SEE TABLE	PH. BRONZE, TIN PLATED	IDC RECEPTACLE CONTACT	2	DIMENSIONS: mm	TOLERANCES UNLESS OTHERWISE SPECIFIED:	APVD: G. TURCO 27FEB2004	
Q.TY	MATERIAL	DESCRIPTION	ITEM			NAME: DUOPLUG 2.5 FEMALE CONNECTOR STANDARD VERSION, KEYED (FULLY LOADED)	
1		REVISIONE DELL'ASSEMBLATO (REVISION OF EACH ASSY NO)		MATERIAL: SEE TABLE	FINISH: -	PRODUCT SPEC: 108-18056	
0.2A PER ASSEMBLATO (0.2A PER ASSY)				ELENCO DEI COMPONENTI (PARTS LIST)		APPLICATION SPEC: 114-18049-1	RESTRICTED TO: -
						WEIGHT: -	SIZE: A1
						CUSTOMER DRAWING	SCALE: 10:1 SHEET: 1 OF 2 REV: B2

LOC	DIST	REV	DATE	BY	APPV

REVISIONS					
REV	DATE	DESCRIPTION	DATE	OWN	APPV
-	-	SEE SHEET 1	-	-	-

RECOMMEND TYPICAL POLARIZATION CUTOFF ON PCB



P/N 0-284932-3 AS SHOWN

BLACK	FULLY LOADED					2/3	13	30.0	34.9	4-284932-3	1-2311501-3 (A13)									
GREEN		X	X	0	X	0	X			3-284932-6	2311505-6									
BLUE	FULLY LOADED									1-284932-6	4-2311500-6									
	FULLY LOADED		X					12	27.5	32.4	2311501-2									
BLACK	FULLY LOADED					9/10	11	25.0	29.9	1-284932-1	1-2311501-1									
BLACK	FULLY LOADED					7/8	10	22.5	27.4	1-284932-0	2-2311500-0									
	FULLY LOADED		X								1-2311500-9									
BLACK	FULLY LOADED		X			2/3	9	20.0	24.9	0-284932-9	2311500-9									
	FULLY LOADED		X			6/7					4-2311500-8									
ORANGE	FULLY LOADED					2/3	8	17.5	22.4	2-284932-8	3-2311500-8									
BLACK						1/2 and 7/8				0-284932-8	2-2311500-8									
RED	FULLY LOADED					2/3	7	15.0	19.9	0-284932-7	1-2311500-7									
	FULLY LOADED		X								7-2311500-6									
BLACK	FULLY LOADED					1/2	6	12.5	17.4	2-284932-6	3-2311500-6									
RED						2/3				0-284932-6	2-2311500-6									
RED	FULLY LOADED					4/5				3-284932-5	5-2311500-5									
GREEN	FULLY LOADED					3/4	5	10.0	14.9	2-284932-5	4-2311500-5									
ORANGE	FULLY LOADED					2/3				4-284932-5	3-2311500-5									
BLACK	FULLY LOADED									0-284932-5	2-2311500-5									
BLACK	FULLY LOADED					3/4				2-284932-4	4-2311500-4									
ORANGE	FULLY LOADED					1/2	4	7.5	12.4	0-284932-4	3-2311500-4									
	FULLY LOADED		X								2-2311500-4									
RED	FULLY LOADED					2/3	3	5.0	9.9	3-284932-3	6-2311500-3									
GREEN										2-284932-3	5-2311500-3									
BLACK	FULLY LOADED					1/2				0-284932-3	4-2311500-3									
COLOUR CODE		11	10	9	8	7	6	5	4	3	2	1	POLARIZ. RIB LAST CAVITY	POLARIZ. RIB CAVITY 1	POLARIZ. RIB	HSG POS	DIM. A	DIM. B	TE P/N	TE P/N
		7	10	10	10	10	10	10	10	10	10	10	14	13	8				11	12

THIS DRAWING IS A CONTROLLED DOCUMENT. OWN R. FABRIS 27FEB2004  
 DIMENSIONS: mm TOLERANCES UNLESS OTHERWISE SPECIFIED:  
 0 PLC ±0.2  
 1 PLC ±0.2  
 2 PLC ±0.2  
 3 PLC ±0.2  
 4 PLC ±  
 ANGLES FINISH ±

APVD G. TURCO 27FEB2004  
 PRODUCT SPEC 108-18056  
 APPLICATION SPEC 116-18049-1  
 WEIGHT -  
 CUSTOMER DRAWING

**STE** TE Connectivity  
 NAME DUOPLUG 2.5 FEMALE CONNECTOR STANDARD VERSION, KEYED (FULLY LOADED)  
 SIZE CAGE CODE DRAWING NO RESTRICTED TO  
 A1 00779 ©=284932 -  
 SCALE 10:1 SHEET 2 OF 2 REV B2