

4

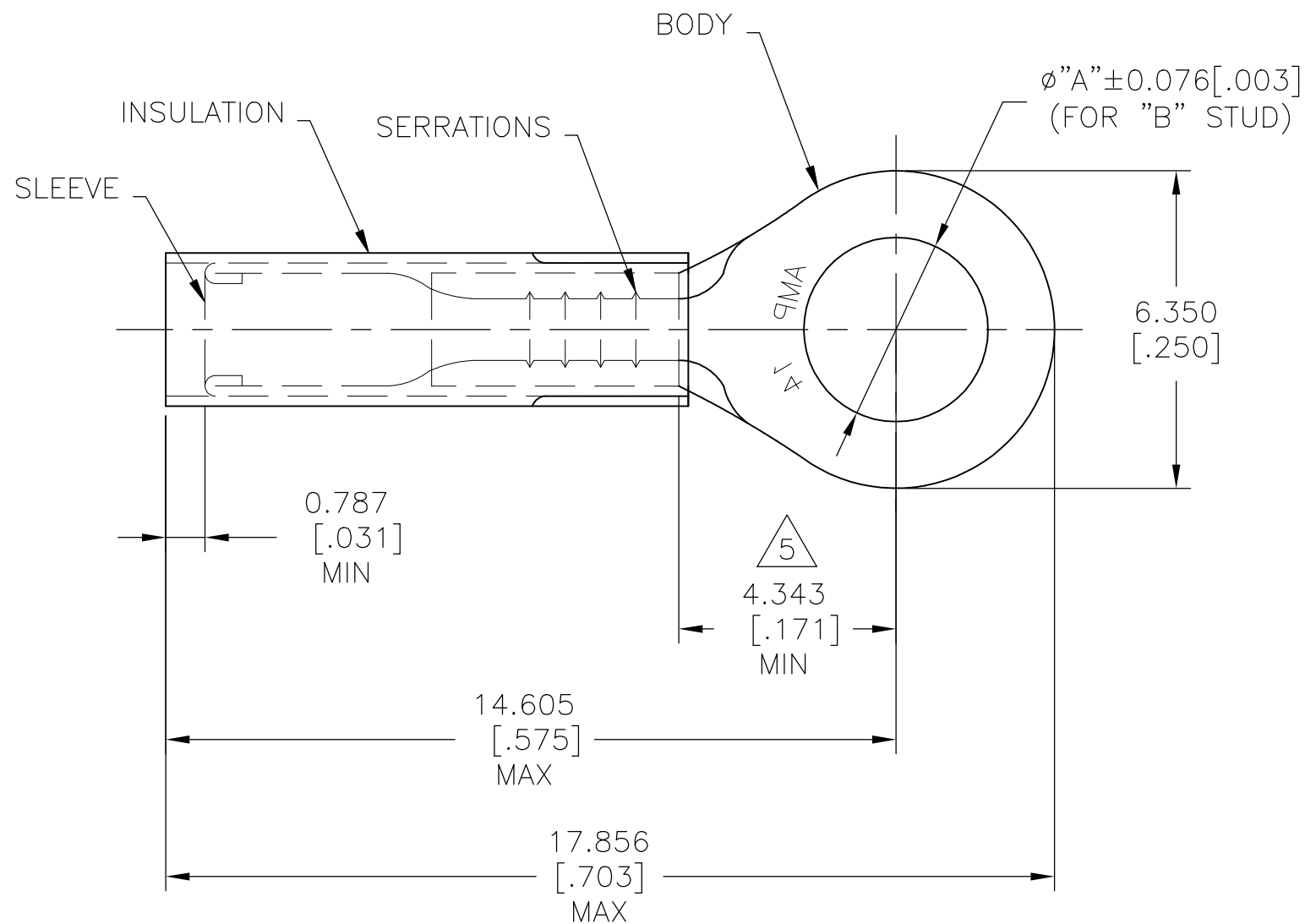
3

2

1

THIS DRAWING IS UNPUBLISHED. RELEASED FOR PUBLICATION  
© COPYRIGHT - By - ALL RIGHTS RESERVED.

| REVISIONS |     |                           |           |          |
|-----------|-----|---------------------------|-----------|----------|
| P         | LTR | DESCRIPTION               | DATE      | DWN APVD |
|           | L3  | REVISED PER ECO-15-016493 | 27NOV2015 | NK DR    |
|           | L4  | REVISED PER ECO-17-016703 | 29MAR2018 | RS DR    |



- 1 BODY: COPPER ASTM B152  
NICKEL PL SAE AMS QQ-N-290  
0.0076 [.0003] AVG. EXT. THK  
SLEEVE: COPPER ASTM B152  
NICKEL PL SAE AMS QQ-N-290  
0.00076 [.00003] AVG EXT. THK
- 2 FOR 2.032 [.080] TO 3.810 [.150] WIRE INSULATION DIA.
- 3 BODY MATERIAL THK: 0.787±0.051 [.031±.002]
- 4 NOTE DELETED
- 5 DIMENSION APPLIES FROM EDGE OF METAL WIRE BARREL TO CENTER OF STUD HOLE

|      |              |           |                                   |              |          |
|------|--------------|-----------|-----------------------------------|--------------|----------|
| 1000 | 3.683 [.145] | M3.5 [#6] | PTFE (ASTM D3295)<br>COLOR: WHITE | LOOSE PIECE  | 50839-1  |
| QTY  | "A"          | "B"       | INSULATION MATERIAL               | PACKAGE TYPE | PART NO. |

|  |  |  |  |   |                                     |  |
|--|--|--|--|---|-------------------------------------|--|
| AMP INCORPORATED<br>CUSTOMER SERVICE SYSTEMS                                     |  | MAX RECOMMENDED OPERATING TEMPERATURE:<br>288°C [550°F]    | THIS DRAWING IS A CONTROLLED DOCUMENT. |   | DWN 13OCT2015<br>NAGALAKSHMI K      | <b>STE</b> TE Connectivity Ltd.  |
| FOR ADDITIONAL PRODUCT INFORMATION OR COPIES OF DRAWINGS AND TECHNICAL DOCUMENTS | PRODUCT INFORMATION CENTER<br>1-800-522-6752 | VOLTAGE RATING:<br>300V MAX                                | DIMENSIONS:<br>mm [INCHES]             | TOLERANCES UNLESS OTHERWISE SPECIFIED:  | CHK 13OCT2015<br>MERCURIO MAURIZIO  |  |
| FOR APPLICATION TOOLING INFORMATION  | TOOLING ASSISTANCE CENTER<br>1-800-722-1111  | CIRCULAR MIL AREA:<br>2.15mm²[4,234]<br>STRANDED WIRE ONLY |  | 0 PLC ± -<br>1 PLC ± -<br>2 PLC ± -<br>3 PLC ± 0.127 [.005]<br>4 PLC ± -<br>ANGLES ± 5° | APVD 13OCT2015<br>MERCURIO MAURIZIO | WIRE TERMINAL<br>PIDG™, STRATO-THERM, RING TONGUE<br>WIRE SIZE: 14 AWG |
| FOR ORDER ENTRY  | 1-800-526-5142                               |  | MATERIAL                               | FINISH  | PRODUCT SPEC<br>-                   | SIZE<br>A3   |
|  |  |  | SEE TABLE                              | SEE TABLE   | APPLICATION SPEC<br>-               | CAGE CODE<br>00779   |
|  |  |  |  |   | WEIGHT<br>-                         | DRAWING NO<br>C-50839  |
|  |  |  |  |   | CUSTOMER DRAWING                    | RESTRICTED TO<br>-   |
|  |  |  |  |   | SCALE<br>NTS                        | SHEET<br>1 OF 1  |
|  |  |  |  |   |                                     | REV<br>L4  |