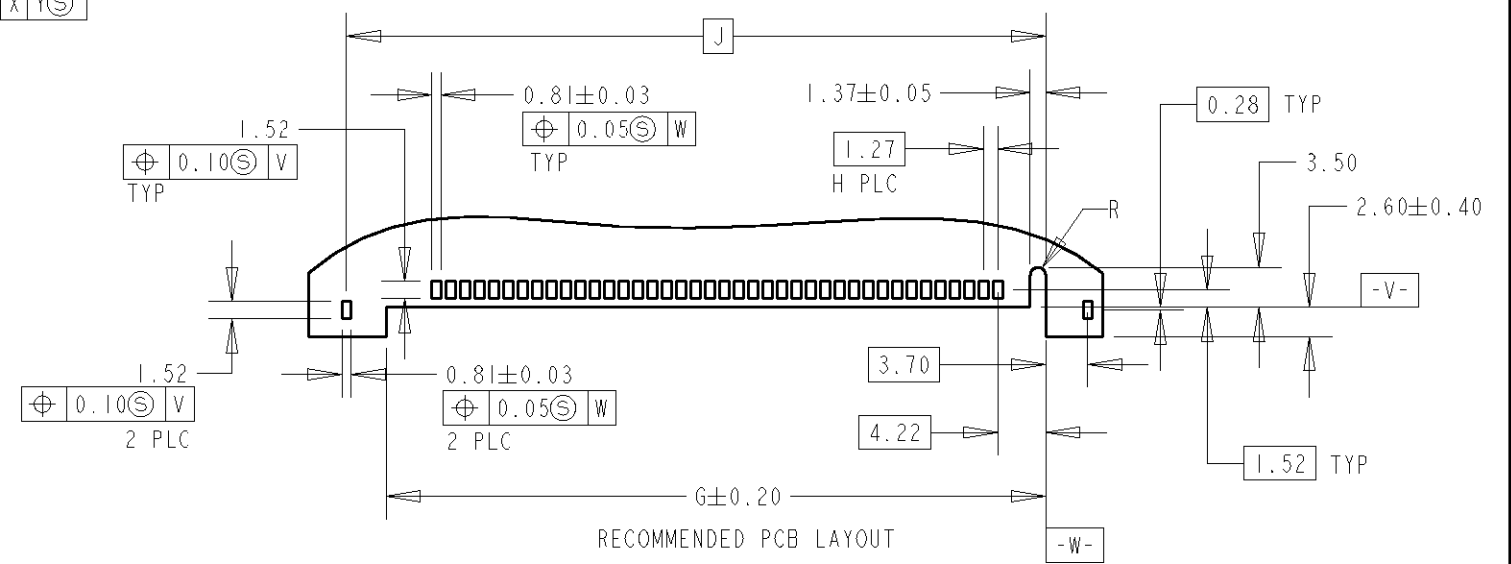
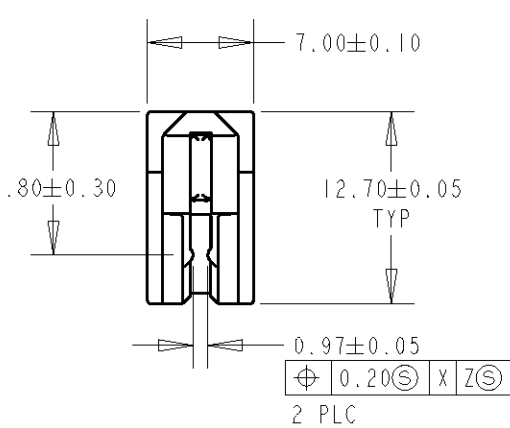
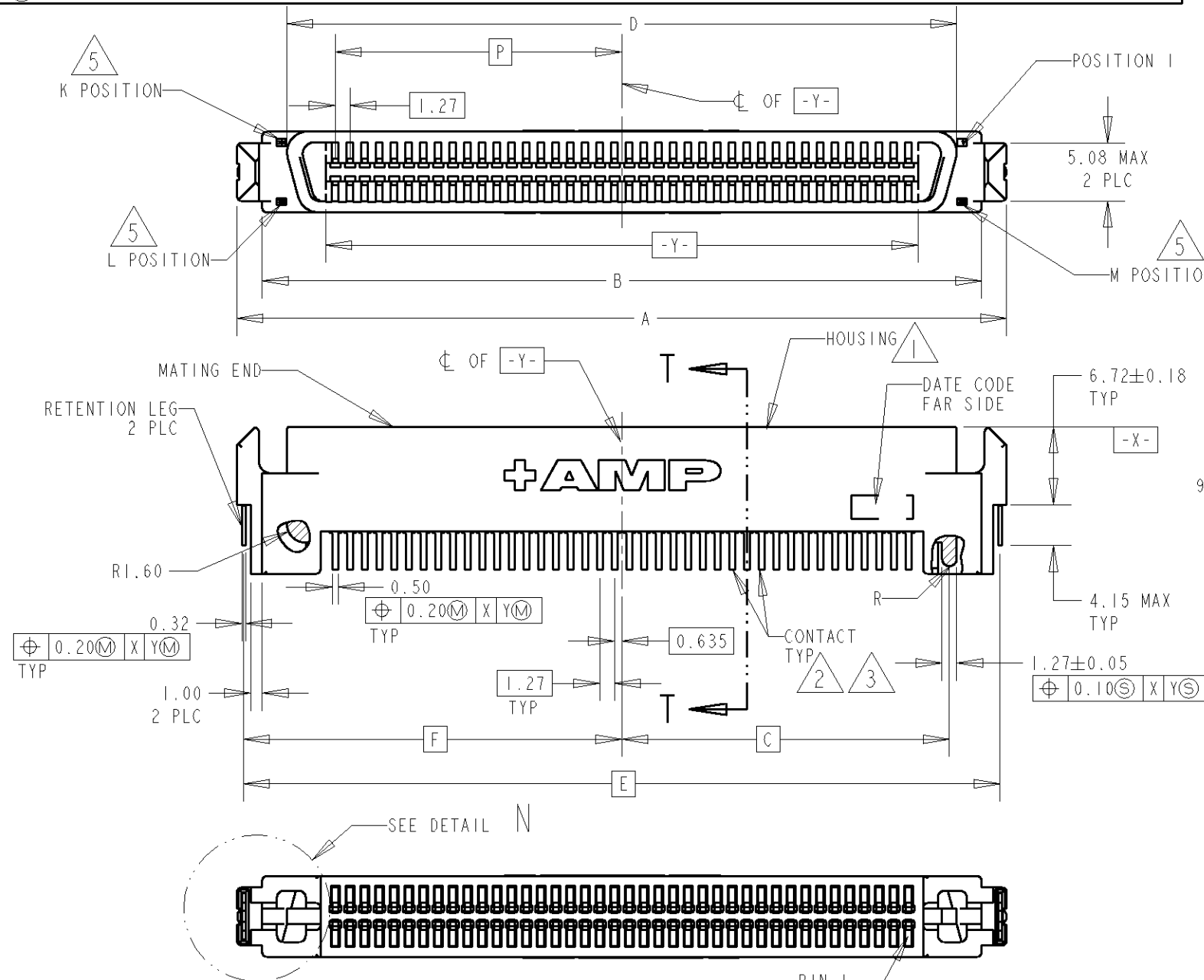
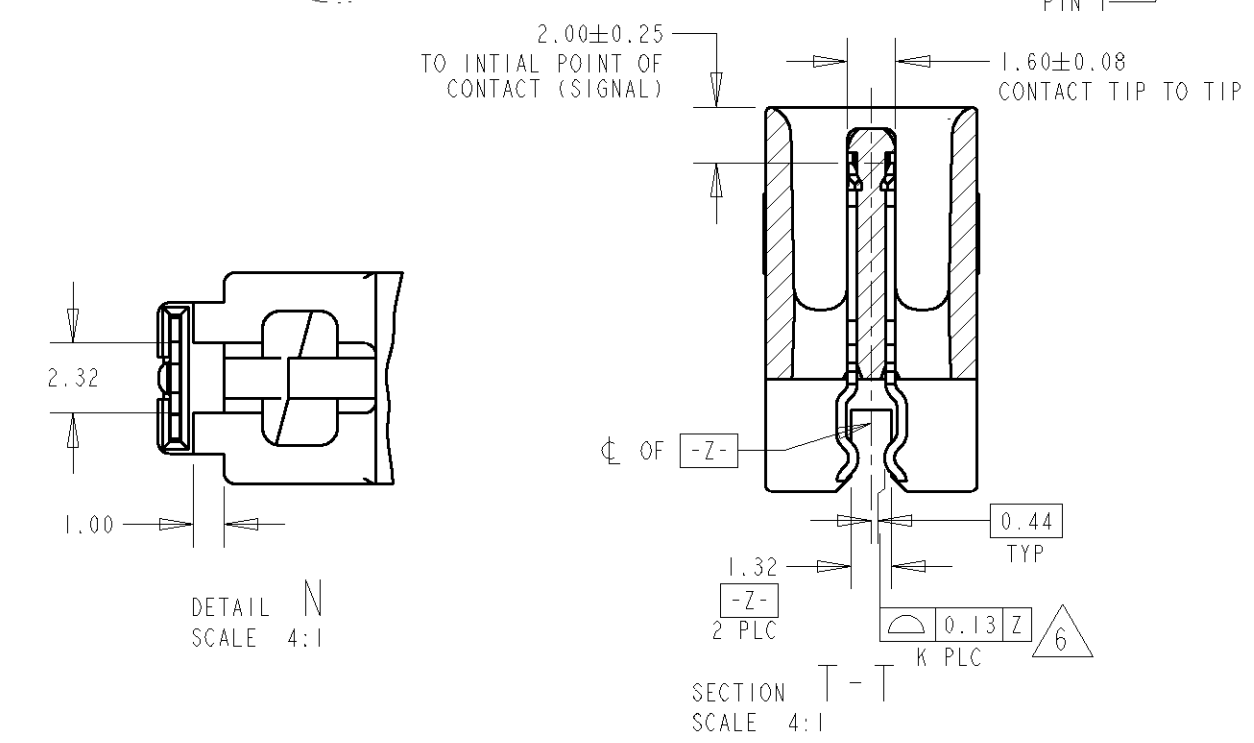


LOC	DIST	REVISIONS					
DY	-	P	LTR	DESCRIPTION	DATE	DWN	APVD
		A		PER ECO-13-001490	03JUN13	BL	AC



- 1 HOUSING: LCP, UL 94V-0 RATED, BLACK
CONTACTS: PHOSPHOR BRONZE
RETENTION LEGS: BRASS
- 2 0.76um MIN GOLD FOR A LENGTH 2.00 STARTING 1.00 MAX FROM MATING END, 3.81um MIN TIN FOR A LENGTH OF 3.43 MIN FROM OPPOSITE END, BOTH OVER 1.27um MIN NICKEL
- 3 3.81 um MIN TIN OVER 1.27um MIN NICKEL
- 4. RECOMMENDED PCB THICKNESS: 1.14±0.13mm
- 5 K, L AND M INDICATES NUMBER OF TERMINAL POSITIONS.
- 6 TOLERANCE APPLIES AT CONTACT MATING SURFACE.



OBSOLETE

TRAY	24.765	41	80	40	61.67	39	58.17	32.680	65.36	57.87	28.30	62.15	66.50	80	5084487-3
TUBE	12.065	21	40	20	36.27	19	32.77	19.975	39.95	32.47	15.60	36.75	41.10	40	5084487-2
TUBE	24.765	41	80	40	61.67	39	58.17	32.680	65.36	57.87	28.30	62.15	66.50	80	5084487-1
PACKAGING	P	M	L	K	J	H	G	F	E	D	C	B	A	POS.	PART NO.

THIS DRAWING IS A CONTROLLED DOCUMENT FOR AMP INCORPORATED. IT IS SUBJECT TO CHANGE AND THE CONTROLLING ENGINEERING ORGANIZATION SHOULD BE CONTACTED FOR THE LATEST REVISION.

DIMENSIONS: mm	TOLERANCES UNLESS OTHERWISE SPECIFIED: 0 PLC ±. 1 PLC ±0.15 2 PLC ±0.15 3 PLC ±0.15 4 PLC ±. ANGLES ±1°	DWN WYLEE 19JAN05 CHK VINCENT TAN APVD SF L FONG PRODUCT SPEC 108-1548 APPLICATION SPEC 114-6061 WEIGHT -	tyco Electronics Singapore Pte. Ltd.
MATERIAL 1	FINISH 2 3	CUSTOMER DRAWING	NAME: PLUG ASSY, STRADDLE MOUNT, CHAMP BLINDMATE .50 SERIES I SIZE: A3 CAGE CODE: 00779 DRAWING NO: C-5084487
		SCALE: 2:1	SHEET 1 OF 1 REV A