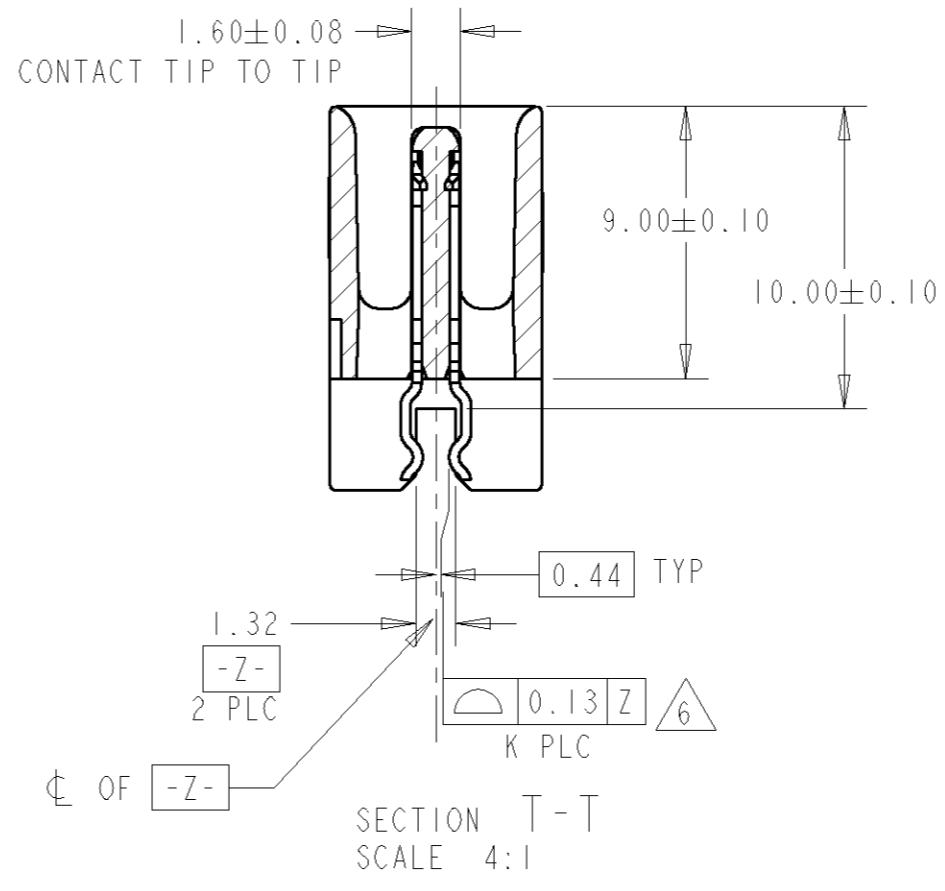
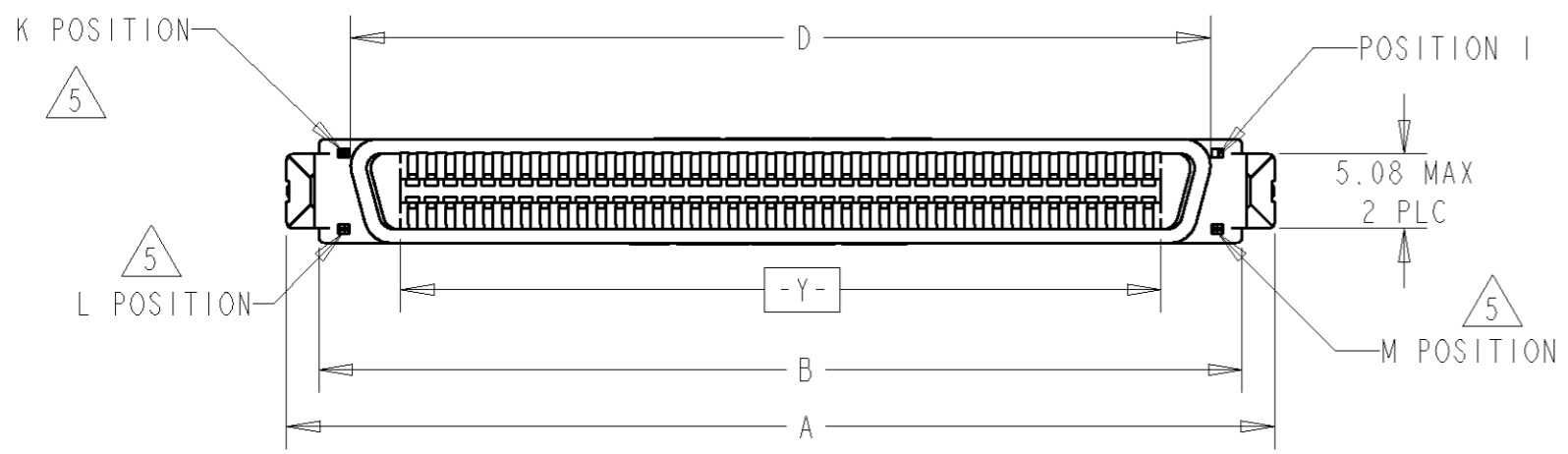
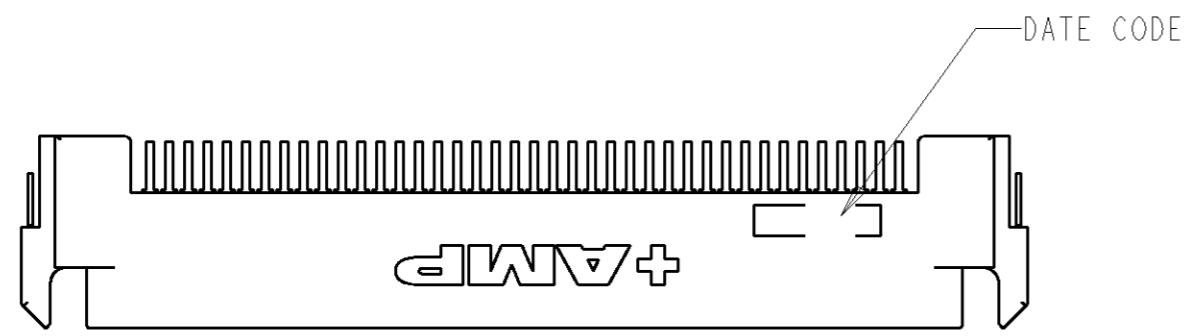
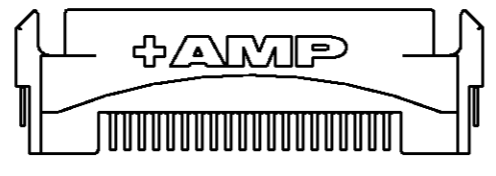
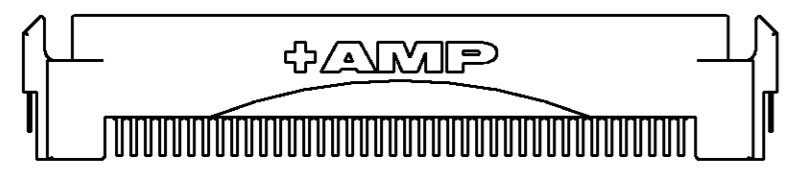
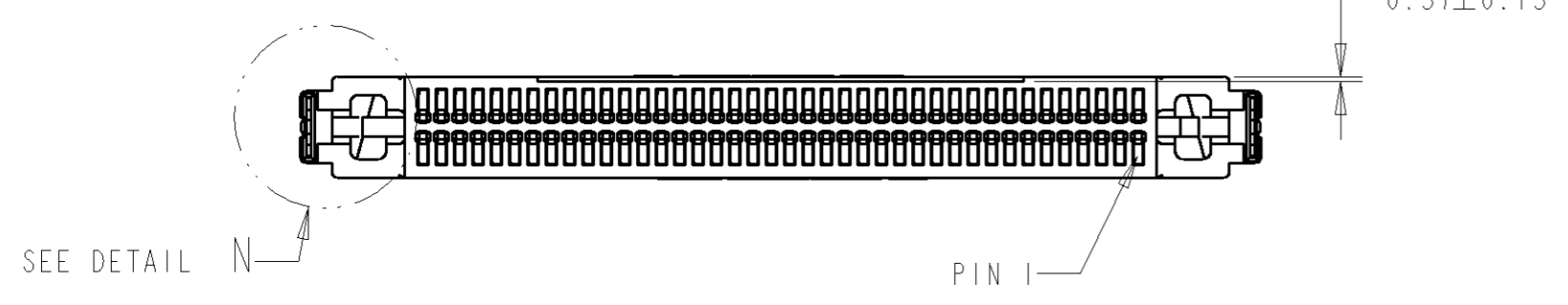
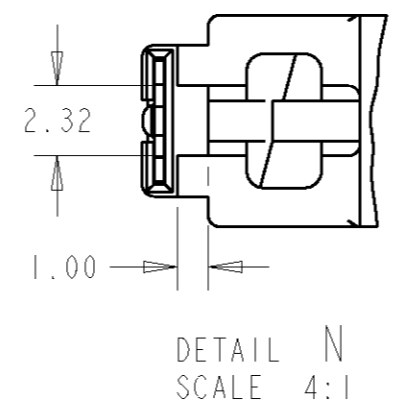
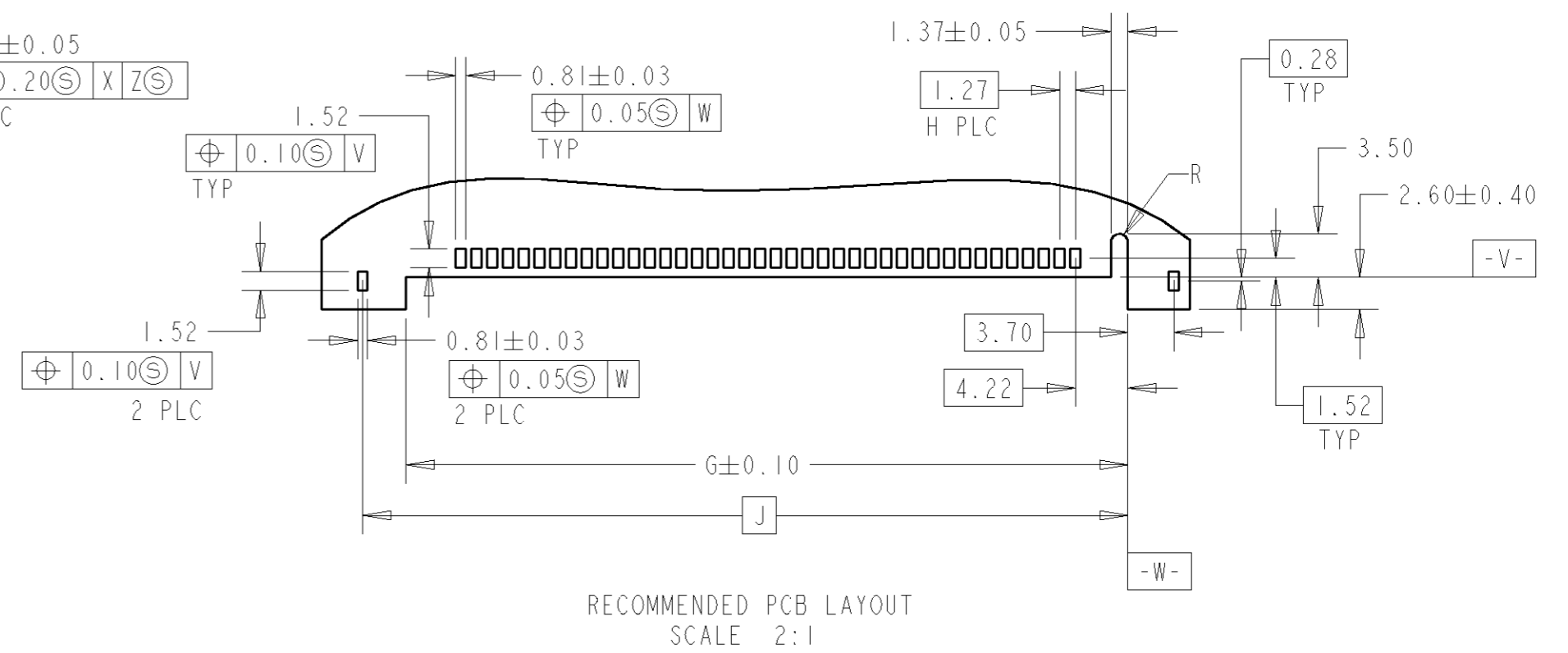
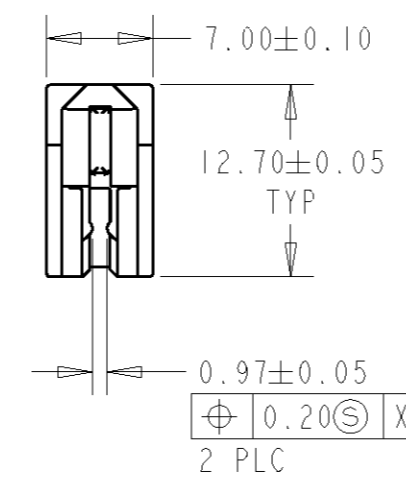
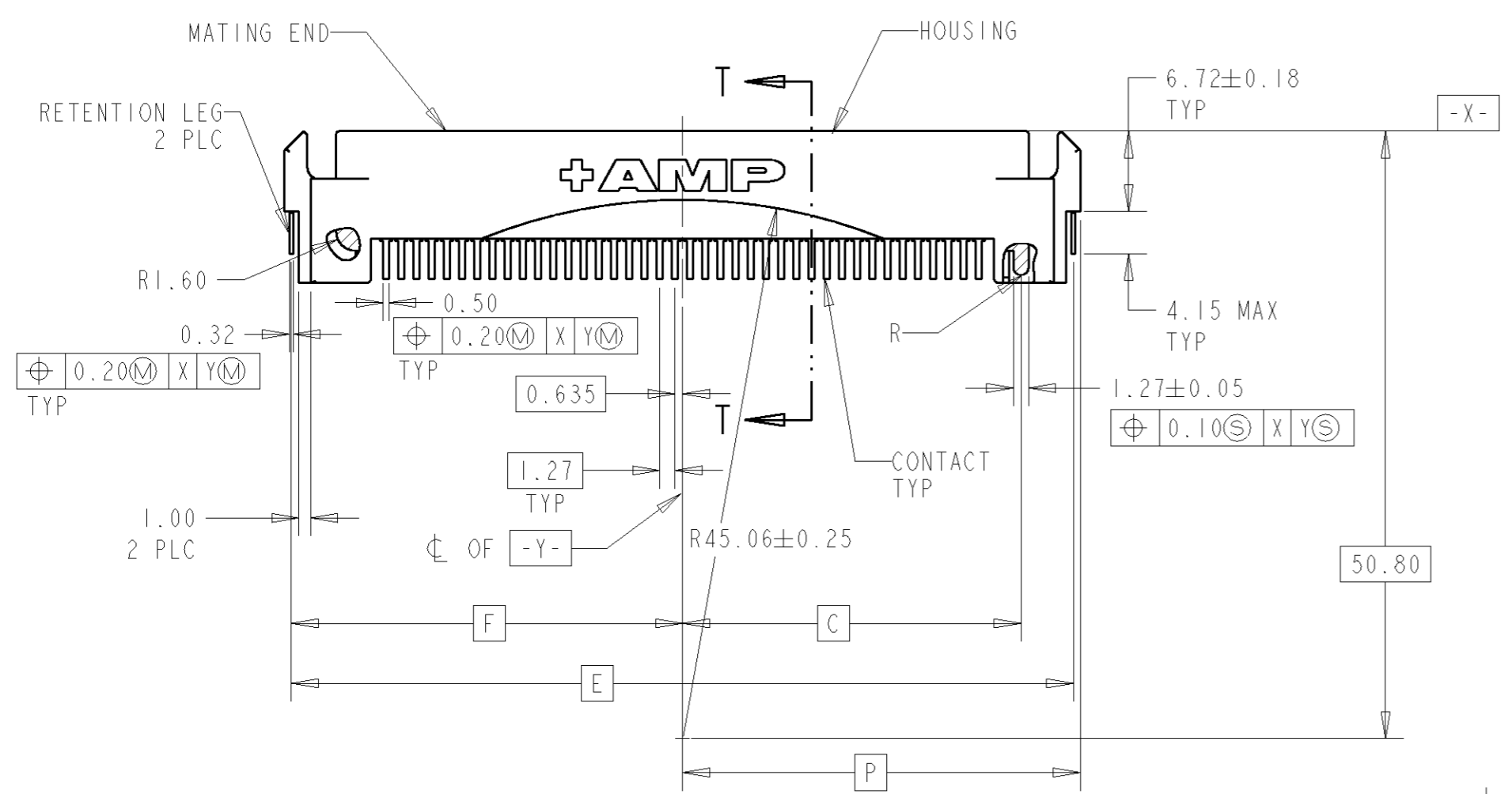


THIS DRAWING IS UNPUBLISHED. RELEASED FOR PUBLICATION .19
 © COPYRIGHT 19 BY AMP INCORPORATED. ALL RIGHTS RESERVED.

REVISIONS				DATE	DWN	APVD
P	LTR	DESCRIPTION				
A		PER ECO-13-001490		03JUN13	BL	AC



- 1 HOUSING: LCP, UL 94V-0 RATED, BLACK
CONTACTS: PHOSPHOR BRONZE
RETENTION LEGS: BRASS
- 2 0.76um MIN GOLD FOR A LENGTH 2.00 STARTING 1.00 MAX FROM MATING END, 3.81um MIN TIN FOR A LENGTH OF 3.43 MIN FROM OPPOSITE END, BOTH OVER 1.27-2.54um MIN NICKEL
- 3 3.81 um MIN TIN OVER 1.27-2.54um MIN NICKEL
- 4 RECOMMENDED PCB THICKNESS: 1.14±0.13mm
- 5 K, L AND M INDICATES NUMBER OF TERMINAL POSITIONS.
- 6 TOLERANCE APPLIES AT CONTACT MATING SURFACE.



OBSOLETE

PACKAGING	P	M	L	K	J	H	G	F	E	D	C	B	A	POS.	PART NO.
TRAY	33.25	41	80	40	61.67	39	58.17	32.680	65.36	57.87	28.30	62.15	66.50	80	5084505-3
TUBE	20.55	21	40	20	36.27	19	32.77	19.975	39.95	32.47	15.60	36.75	41.10	40	5084505-2
TUBE	33.25	41	80	40	61.67	39	58.17	32.680	65.36	57.87	28.30	62.15	66.50	80	5084505-1

THIS DRAWING IS A CONTROLLED DOCUMENT FOR AMP INCORPORATED. IT IS SUBJECT TO CHANGE AND THE CONTROLLING ENGINEERING ORGANIZATION SHOULD BE CONTACTED FOR THE LATEST REVISION.		DWN WYLEE 19JAN05 CHK VINCENT TAN APVD SE LEONG PRODUCT SPEC 108-1548 APPLICATION SPEC 114-6061 WEIGHT - CUSTOMER DRAWING	tyco Tyco Electronics Singapore Pte. Ltd.
DIMENSIONS: mm TOLERANCES UNLESS OTHERWISE SPECIFIED: 0 PLC ± 1 PLC ±0.15 2 PLC ±0.15 3 PLC ±0.15 4 PLC ± ANGLES ±° FINISH	NAME PLUG ASSY, STRADDLE MOUNT WITH RADIUS, CHAMP BLINDMATE .050 SERIES 1 SIZE A2 CAGE CODE 00779 DRAWING NO. 5084505 SCALE 2:1	SHEET 1 OF 1 REV A	