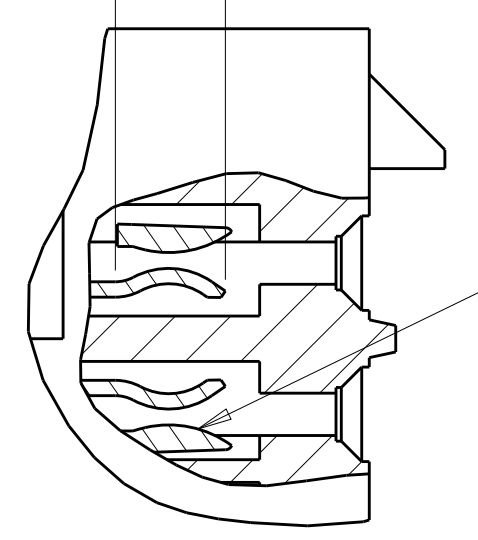


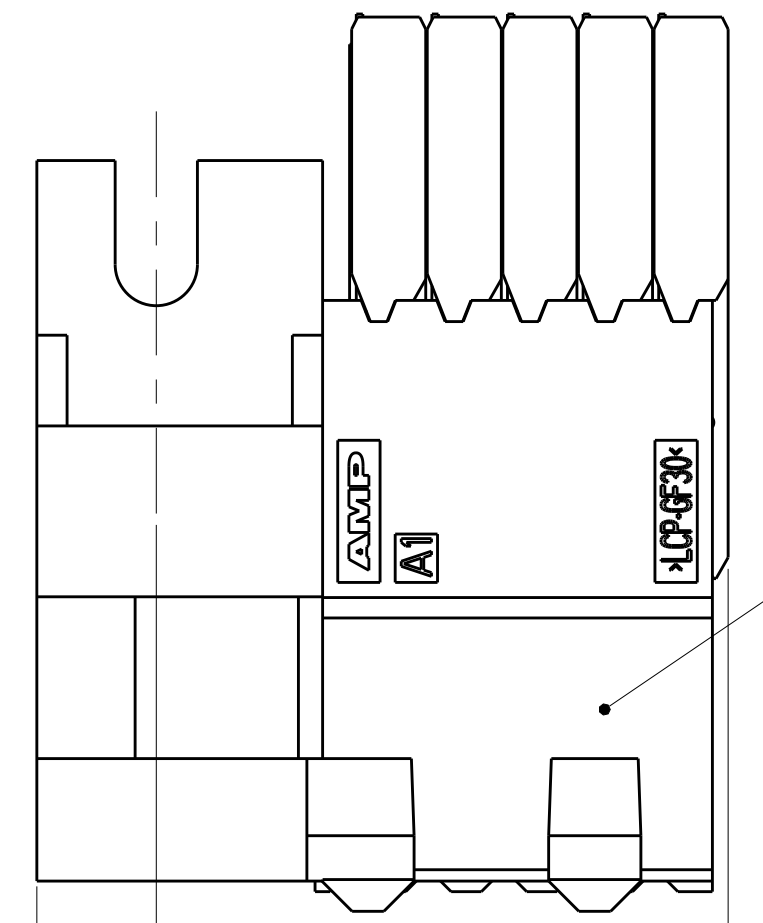
LOC	DIST	REV	DESCRIPTION	DATE	OWN	APVD
AD	00	B	REVISED PER ECO-18-020072	26DEC2018	R.L	H.L

CONTACT AREA
TYP



CONTACT
QTY: 50

DETAIL M
SCALE 10:1



HOUSING
QTY: 1

22.86

7.75

5.75

10.00

2.50 TYP

Ø 5.40

2.00 TYP

11.10

7.00

1.50 TYP

21.10

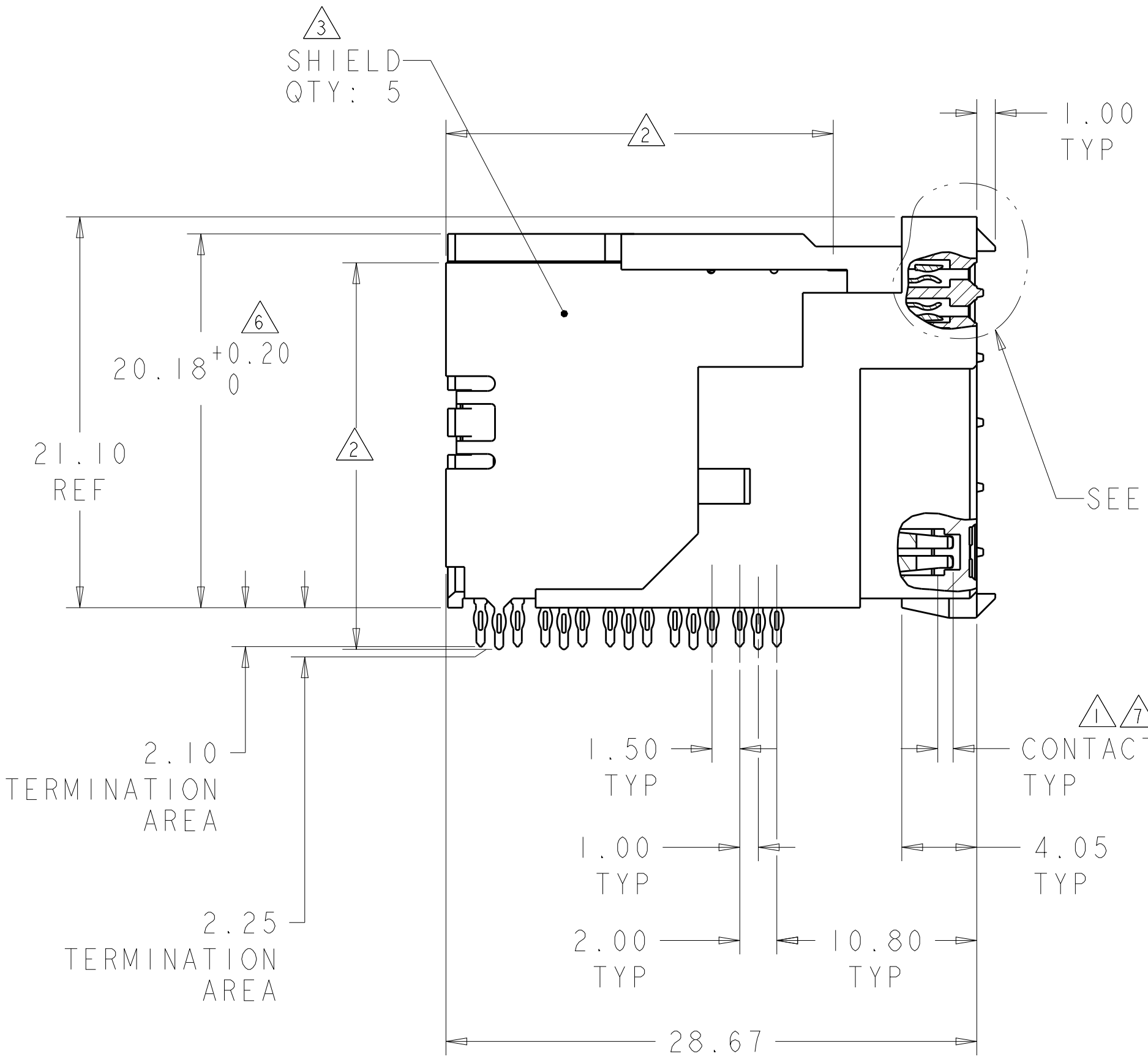
10.00

19.00

11.70

1.25 TYP

2.00
DISTANCE FROM
ROW "a" TO
BOARD SURFACE



SHIELD
QTY: 5

SEE DETAIL M

CONTACT AREA
TYP

4.05 TYP

2.10
TERMINATION
AREA

1.50 TYP

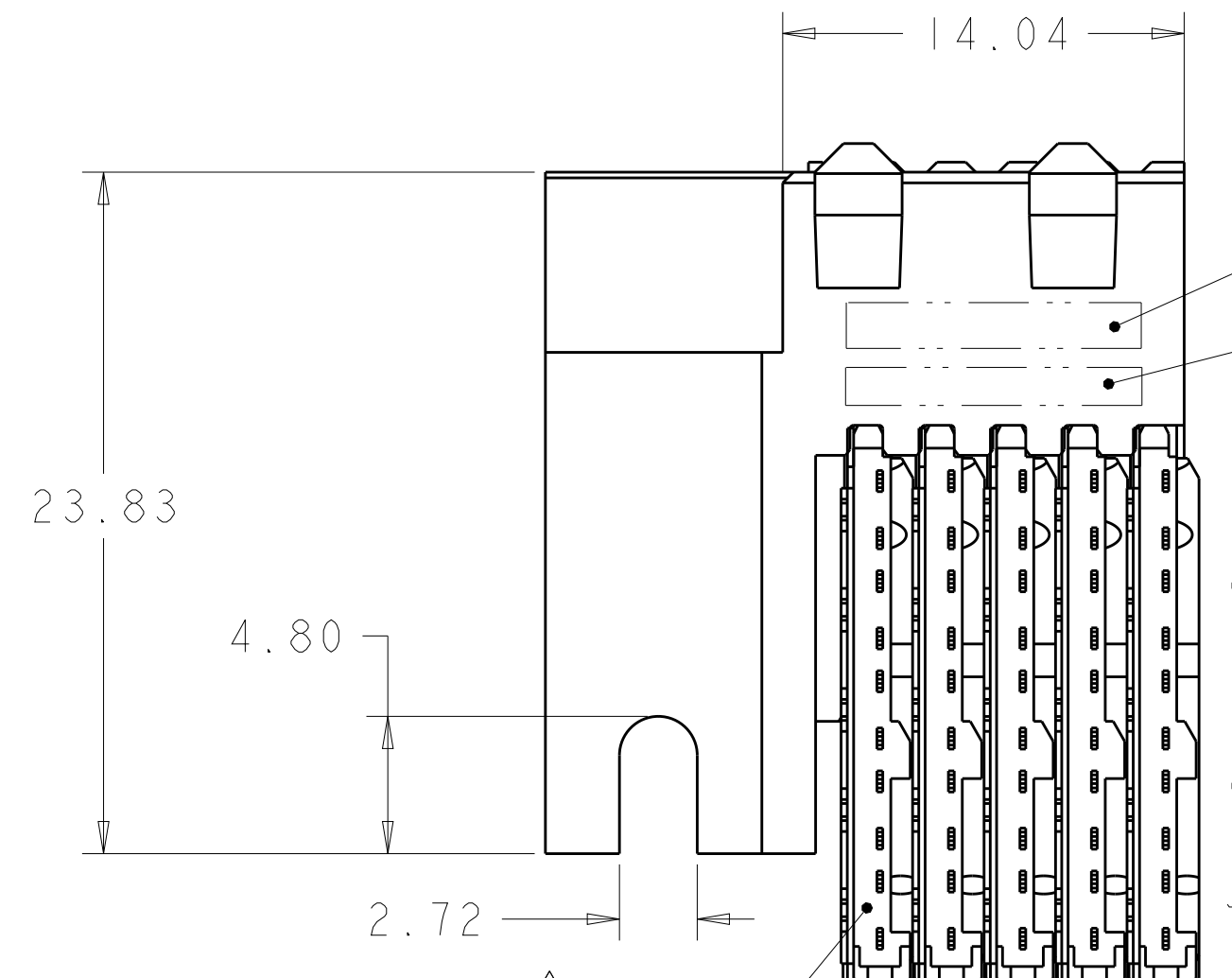
1.00 TYP

2.00 TYP

10.80 TYP

28.67

2.25
TERMINATION
AREA



CHICKLET
QTY: 5

LOCATION REF

23.83

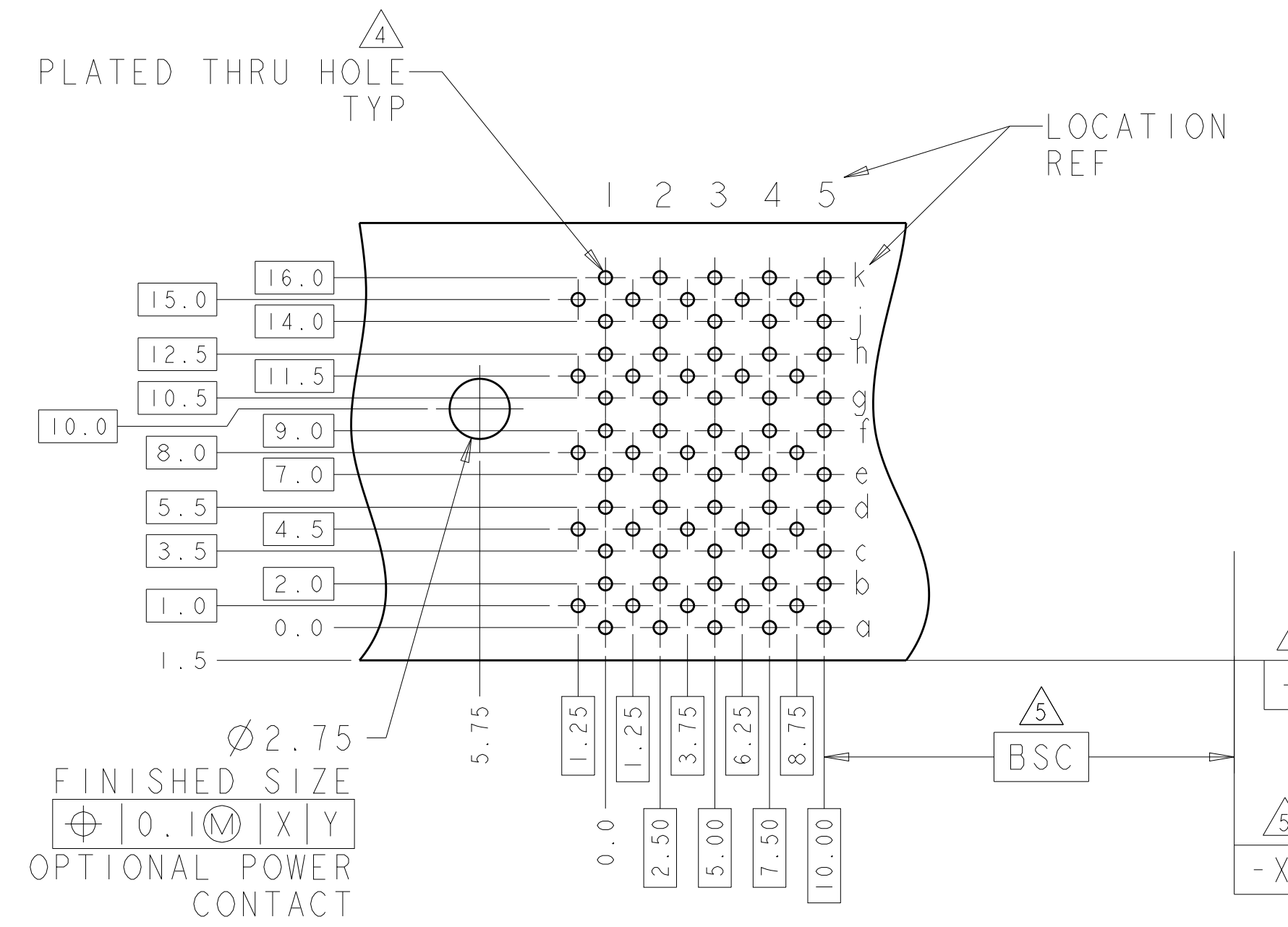
4.80

2.72

14.04

a
b
c
d
e
f
g
h
j
k

- △ CONTACT MATING AREA MEETS THE PERFORMANCE REQUIREMENTS OF TE CONNECTIVITY PRODUCT SPECIFICATION 108-1957; BASED ON TELCORDIA GR-1217-CORE, APPLICATIONS IN UNCONTROLLED ENVIRONMENTS.
- △ 0.76µm MIN TIN OVER 1.27µm MIN NICKEL
- △ MATERIAL: CONTACT - COPPER ALLOY
SHIELD - PHOSPHOR BRONZE
HOUSING - LCP, UL94V-0
CHICKLET - GLASS FILLED POLYESTER
- △ REFERENCE APPLICATION SPEC 114-13020 FOR RECOMMENDED PLATED THRU HOLE DIAMETER AND PLATING THICKNESS.
- △ DATUM AND BASIC DIMENSION ESTABLISHED BY CUSTOMER.
- △ SEATING HEIGHT TO BOARD SURFACE.
- △ CONTACT AREA LUBRICATED WITH BELLCORE APPROVED LUBRICANT. TECHNICAL REFERENCE: GR-1217-CORE, ISSUE 1, NOVEMBER 1995.
- △ DATE CODE
- △ PART NUMBER



RECOMMENDED PRINTED
CIRCUIT BOARD LAYOUT
COMPONENT SIDE OF PRINTED CIRCUIT BOARD

5120875-1
PART NUMBER

THIS DRAWING IS A CONTROLLED DOCUMENT.		OWN: B. CARBO 09DEC04	TE Connectivity
DIMENSIONS: mm		CHK: R. PATTERSON 09DEC04	
TOLERANCES UNLESS OTHERWISE SPECIFIED:		APVD: R. PATTERSON 09DEC04	NAME: RECEPTACLE ASSEMBLY, 50 POSITION, UNIVERSAL GUIDE PIN, LEFT HAND, 10 ROW, DUAL BEAM, Z-PACK HS3 SIZE: CAGE CODE DRAWING NO: A100779 C=5120875 RESTRICTED TO:
0 PLC ±0.2		PRODUCT SPEC: 108-1957	
2 PLC ±0.13		APPLICATION SPEC: 114-13020	
4 PLC ±0.05		WEIGHT: -	
MATERIAL: 3		FINISH: SOLDER TAIL: 2	SCALE: 4:1 SHEET 1 OF 1 REV B
CONTACT: 1		CUSTOMER DRAWING	