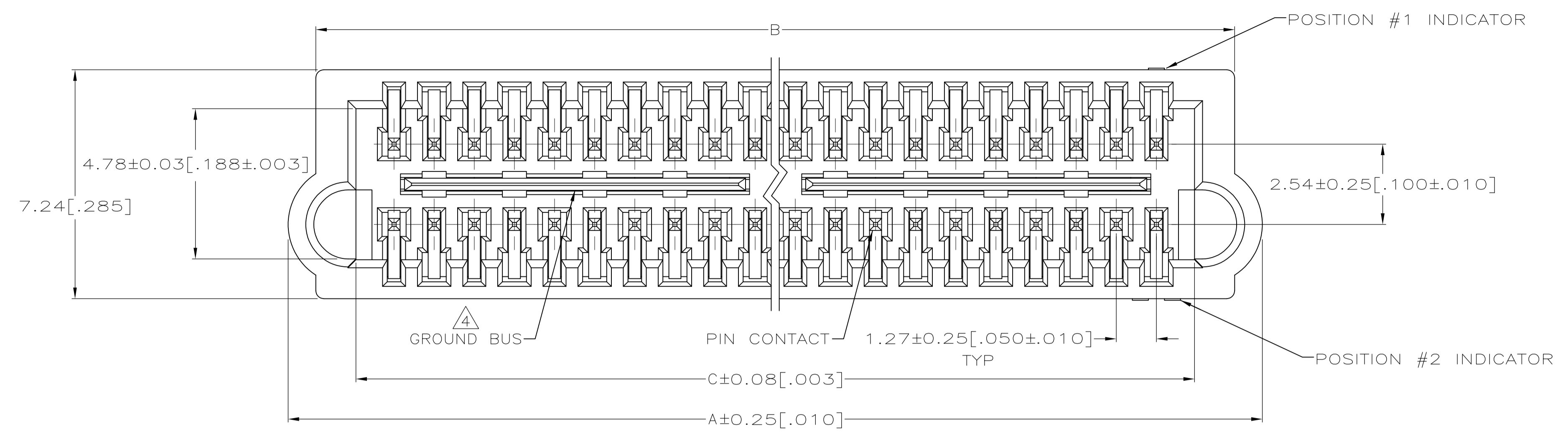
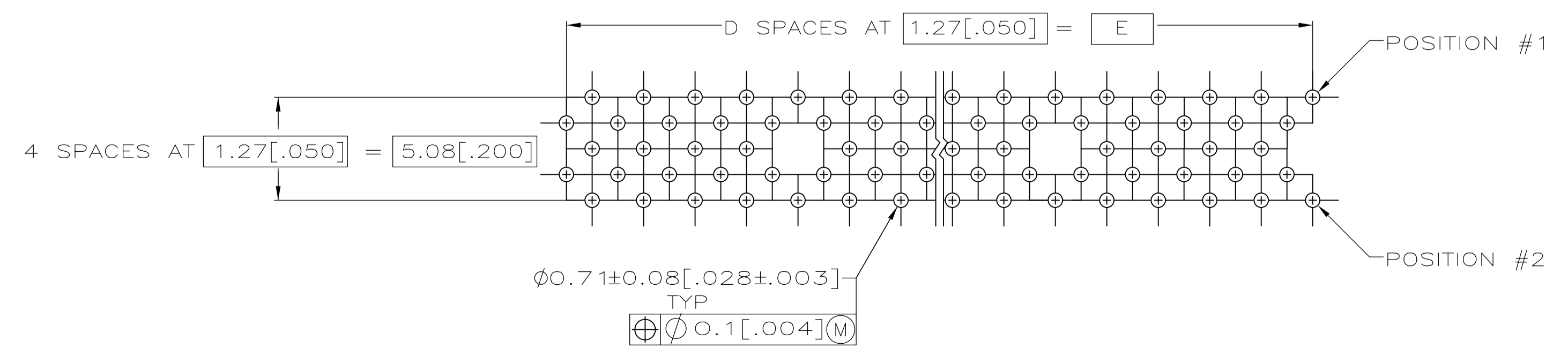
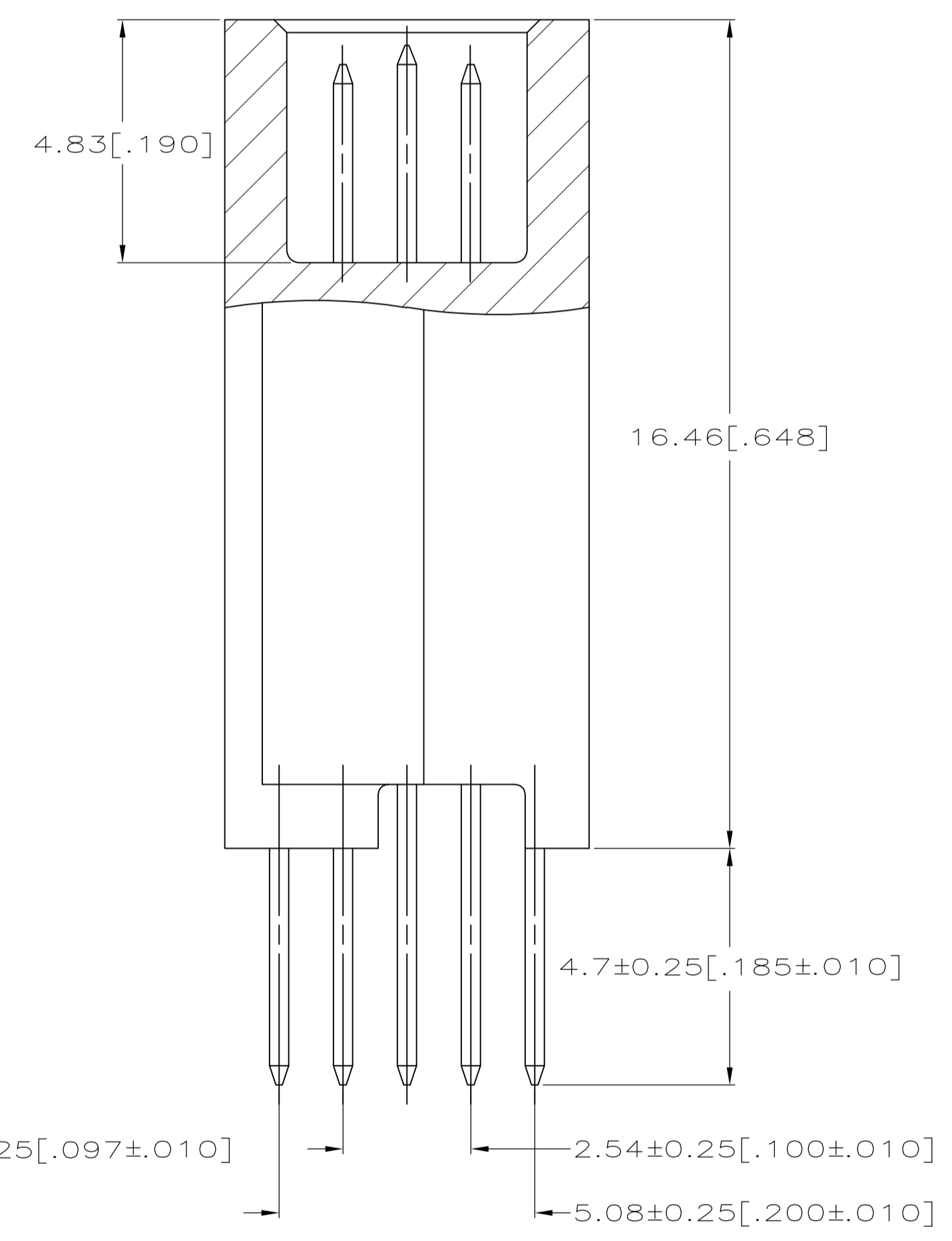
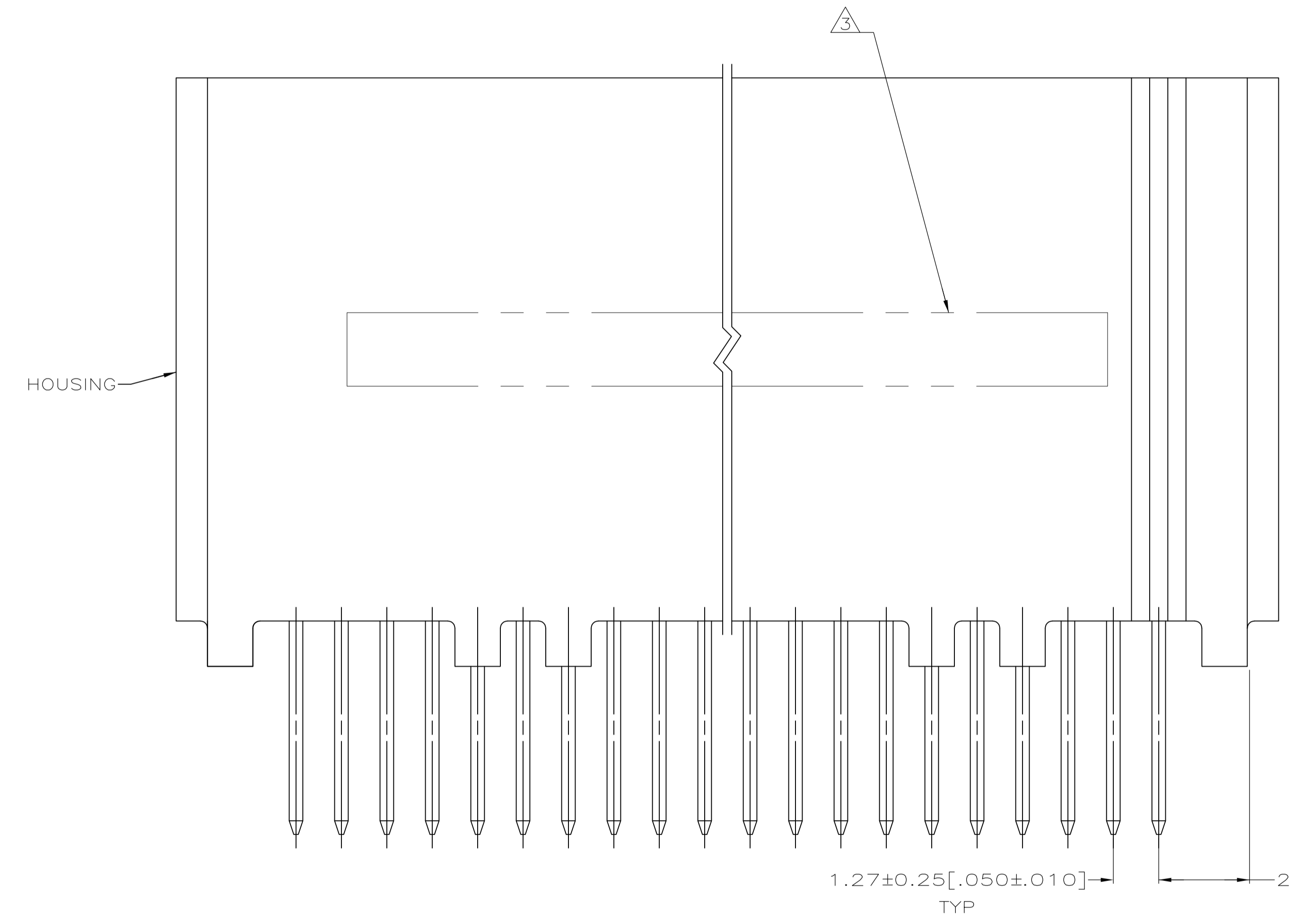


REVISIONS					
P	LTR	DESCRIPTION	DATE	OWN	APVD
B		REVISED PER ECO-16-010704	20JUL2016	SY	SY



- ① HOUSING: HIGH TEMPERATURE THERMOPLASTIC, COLOR NATURAL OR LIGHT NATURAL.
PIN CONTACTS: PHOSPHOR BRONZE.
GROUND BUSES: PHOSPHOR BRONZE.
- ② CONTACTS & GROUND BUSES: 0.00076(.000030) MIN. GOLD PER ASTM B 488 ON CONTACT AREA,
0.00254-0.00762(.000100-.000300) MATTE TIN PER ASTM B 545 ON SOLDER TAIL, ALL OVER 0.00127-0.00254(.000050-.000100) MATTE NICKEL PER SAE AMS-QQ-N-290 ON ENTIRE CONTACT.
- ③ AMP AND DATE CODE MARKED IN AREA INDICATED, ON SAME SIDE AS POSITION NUMBER 2 INDICATOR.
- ④ ONE GROUND BUS WITH 4 TAILS PER EACH 20 PIN CONTACTS.



RECOMMENDED PC BOARD HOLE LAYOUT
(VIEWED FROM CONNECTOR SIDE)

49.53 [1.950]	39	52.02 [2.048]	54.61 [2.150]	56.24 [2.214]	80	5149012-3
36.83 [1.450]	29	39.32 [1.548]	41.91 [1.650]	43.54 [1.714]	60	5149012-2
24.13 [.950]	19	26.62 [1.048]	29.21 [1.150]	30.84 [1.214]	40	5149012-1
E	D	C	B	A	NO OF POS	PART NUMBER

THIS DRAWING IS A CONTROLLED DOCUMENT.

DIMENSIONS: mm [INCHES]

TOLERANCES UNLESS OTHERWISE SPECIFIED:

0. PLC	± -
1. PLC	± -
2. PLC	± -
3. PLC	± 0.13 [.005]
4. PLC	± -
ANGLES	± -

MATERIAL: ① FINISH: ②

STE TE Connectivity

PLUG ASSEMBLY, 18.75 [.738] STACK, 4.7 [.185] TAIL, BOARD TO BOARD, MICROSTRIP

SIZE: A1

WEIGHT: 0.000000

CUSTOMER DRAWING

SCALE: 10:1

SHEET: 1 of 1

REV: B