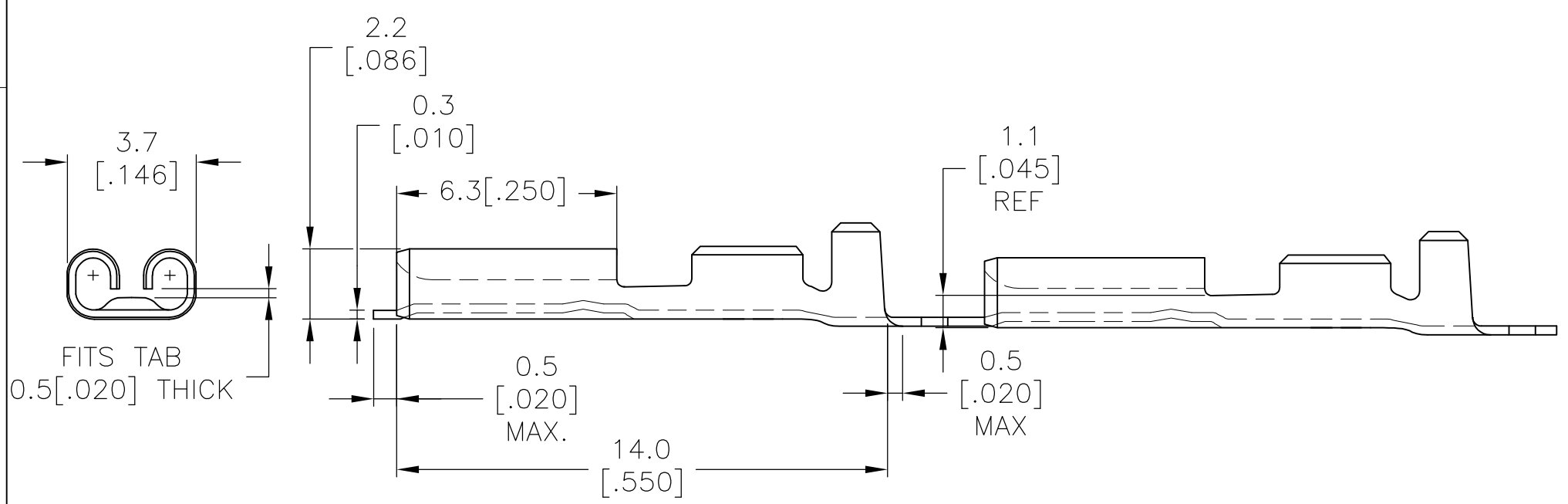
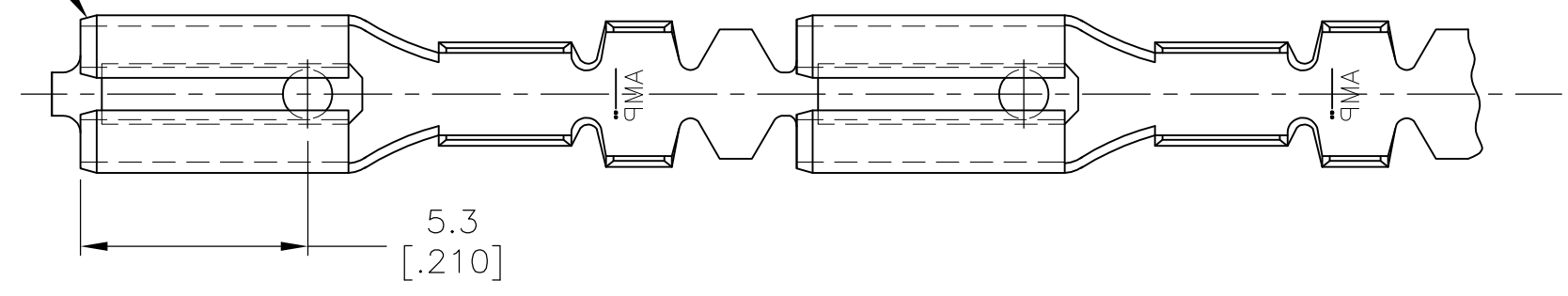


THIS DRAWING IS UNPUBLISHED. RELEASED FOR PUBLICATION
 © COPYRIGHT - By - ALL RIGHTS RESERVED.


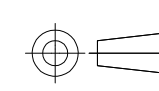
REVISIONS					
P	LTR	DESCRIPTION	DATE	DWN	APVD
	F3	REVISED PER ECO-17-005565	24APR2017	RS	HG
	F4	REVISED PER ECO-17-014469	31OCT2017	HG	TD

- △1 SPLICE FREE, FOR AMP_O_MATOR.
- △2 REELED WITH PAPER LAYER.
- △3 OBSOLETE PARTS: OBSOLETE CIS STREAMLINING PER D.RENAUD/D.SINISI

CHAMFER



	TIN	BRASS	△2	6-160316-4
	TIN-LEAD	PHOSPHORBRONZE		6-160316-3
△3	TIN-LEAD	BRASS		6-160316-2
△3	PRE-TIN HOT DIP	PHOSPHORBRONZE		6-160316-0
△3	TIN	BRASS	△1	5-160316-9
	NONE	BRASS	△1	5-160316-8
	GOLD	PHOSPHORBRONZE		5-160316-7
△3	TIN	PHOSPHORBRONZE		5-160316-6
	NONE	PHOSPHORBRONZE		5-160316-5
△3	GOLD	BRASS		5-160316-4
	SILVER	BRASS		5-160316-3
	TIN	BRASS		5-160316-2
	NONE	BRASS		5-160316-1
	FINISH	MATERIAL		PART NUMBER

THIS DRAWING IS A CONTROLLED DOCUMENT.		DWN D.KESSLER 11-04-94	 TE Connectivity	
DIMENSIONS: mm [INCHES]		CHK P.BEIJNON		
TOLERANCES UNLESS OTHERWISE SPECIFIED: 0 PLC ± 1.0 1 PLC ± 0.5 2 PLC ± 0.2 3 PLC ± - 4 PLC ± - ANGLES ± 1°		APVD L.V. SOEST	PRODUCT SPEC	
		APPLICATION SPEC	.110 SRS FASTON RECEPTACLE	
WIRE RANGE : 0.3-0.56mm ² (22-20 AWG)	INSUL-RANGE : Ø1.0-2.0 (Ø.050-.080)	MATERIAL -	FINISH -	SIZE: A3 CAGE CODE: 00779 DRAWING NO: C-160316 RESTRICTED TO: -
CUSTOMER DRAWING			SCALE: 6:1	SHEET: 1 OF 1
			REV: F4	