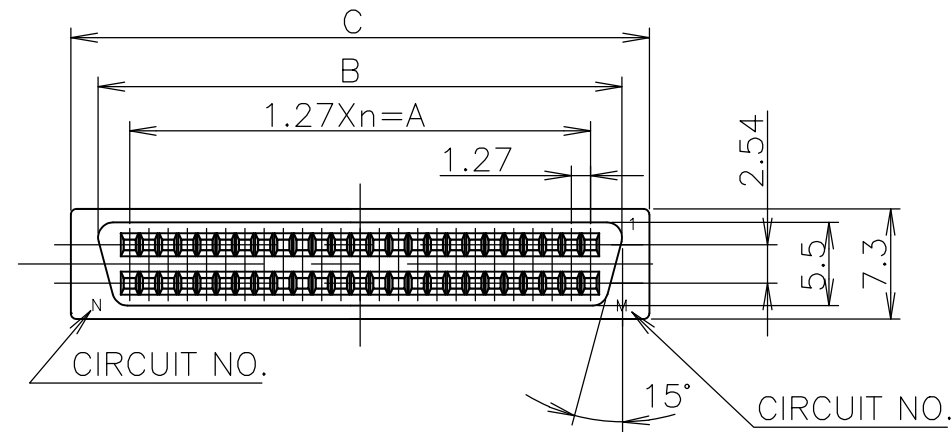


P	LTR	DESCRIPTION	DATE	DWN	APVD
R1	ECO-20-004922		20APR2020	RR	SH

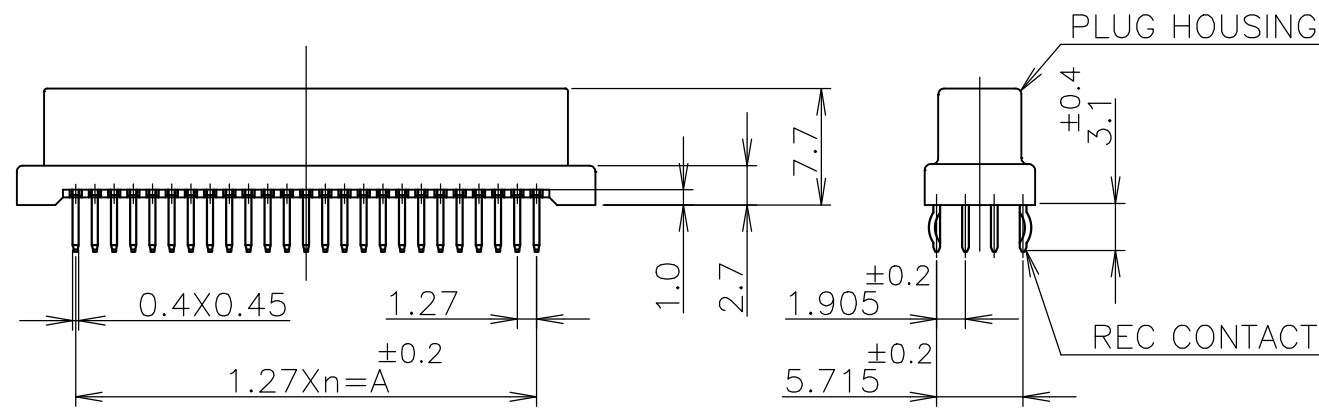


1 MATERIAL AND FINISH
 PLUG HOUSING ; THERMOPLASTIC (UL94V-0) COLOR:BLACK
 REC. CONTACT ; COPPER ALLOY FINISH,OVER NICKEL
 MATING END:0.0002 MIN. OR 0.00076 MIN. GOLD
 TERMINATION END:TIN OVER SEALING TREATMENT.

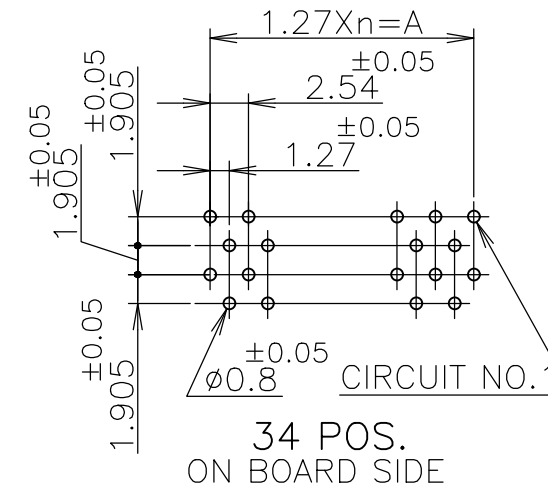
2 P.C.B. LAYOUT AND P.C.B. TREATMENT(REF.)
 USE A P.C.B. SURFACE ARE TREATED WITH SOLDER RESIST.

3 KINK POSITIONS(4 POSITIONS).

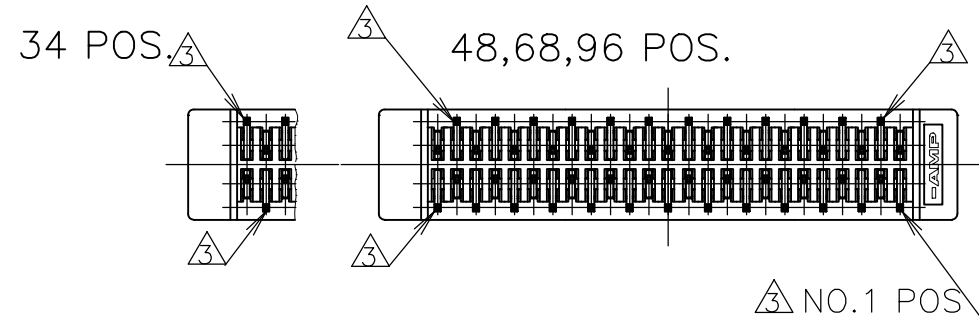
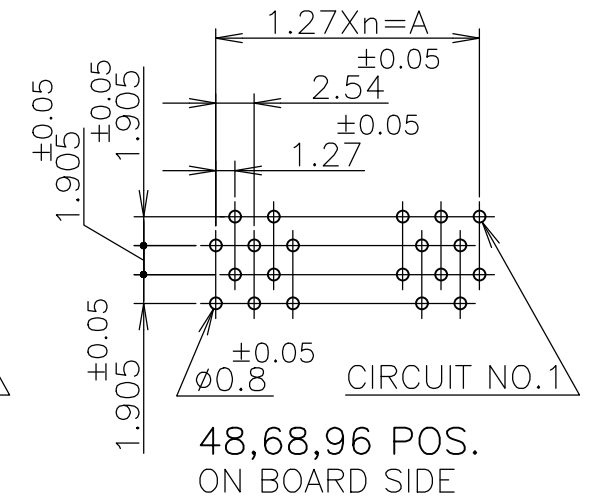
4 OBSOLETE PARTS: OBSOLETE CIS STREAMLINING PER D.RENAUD/D.SINISI



UNACCUMULATE TOLERANCE



UNACCUMULATE TOLERANCE



OBSOLETE	Au PL. 0.00076 MIN.	96	49	59.69	63.86	71.00	47	96	6-	-8
		68	35	41.91	46.08	53.22	33	68	6-	-7
		48	25	29.21	33.38	40.52	23	48	6-	-6
OBSOLETE	Au PL. 0.0002 MIN.	96	49	59.69	63.86	71.00	47	96		-8
		68	35	41.91	46.08	53.22	33	68		-7
		48	25	29.21	33.38	40.52	23	48		-6
OBSOLETE		96	49	59.69	63.86	71.00	47	96		-8
		68	35	41.91	46.08	53.22	33	68		-7
		48	25	29.21	33.38	40.52	23	48		-6
REMARK		N	M	A	B	C	n	POS.	PART NO.	
		CIRCUIT NO.		DIMENSION						

THIS DRAWING IS A CONTROLLED DOCUMENT.

DIMENSIONS: 単位: 耗 mm	TOLERANCES UNLESS OTHERWISE SPECIFIED. 一般公差
	0 PLC ± -
	1 PLC ± -
	2 PLC ± -
	3 PLC ± -
	4 PLC ± -
ANGLES ± -	FINISH 仕上 ± -
MATERIAL 材料	

GENERAL TOLERANCE
一般公差

10 ≥ : ±0.2
 30 ≥ > 10: ±0.25
 100 ≥ > 30: ±0.3
 ANGLES: ±3°

DWN T.KAWAMAE 18JAN05
 CHK I.ENOMOTO 18JAN05
 APVD I.ENOMOTO 18JAN05

PRODUCT SPEC
製品規格
108-60036

APPLICATION SPEC
取付適用規格

WEIGHT 0.000000

CUSTOMER DRAWING

SCALE 尺度 2:1

SHEET 1 OF 1

REV R1

RESTRICTED TO

TE Connectivity

PLUG ASSY VERTICAL (W/KINK)
 AMPLIMITE .050 SERIES I B-TO-B CONN.

SIZE A3 CAGE CODE 00779 DRAWING NO. 5174681