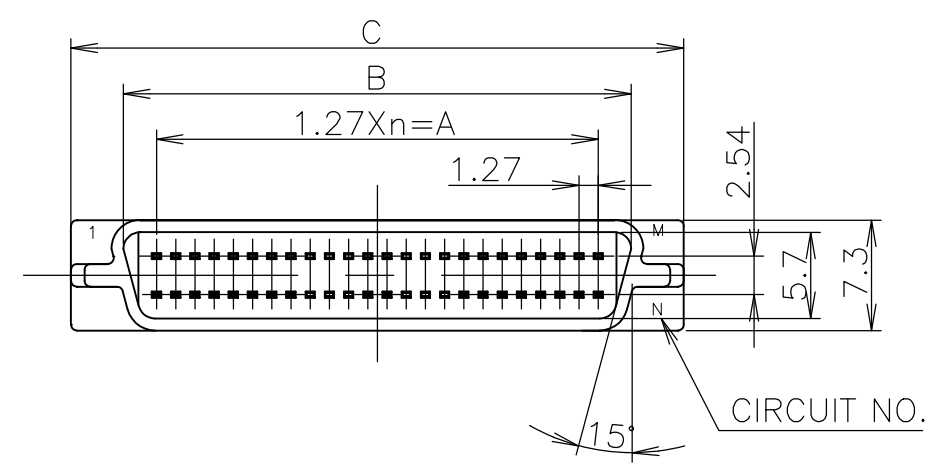
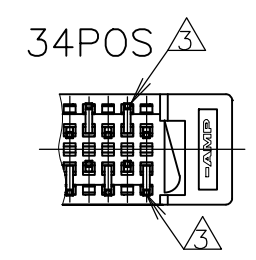
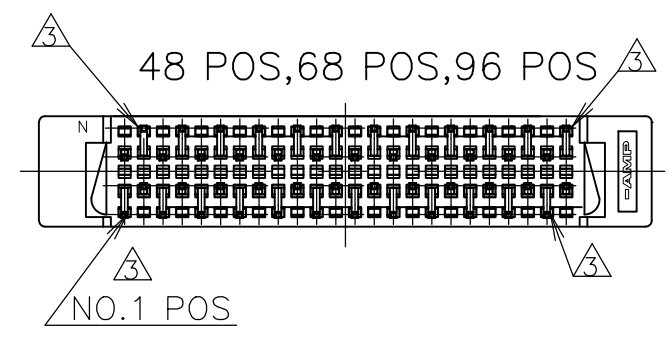
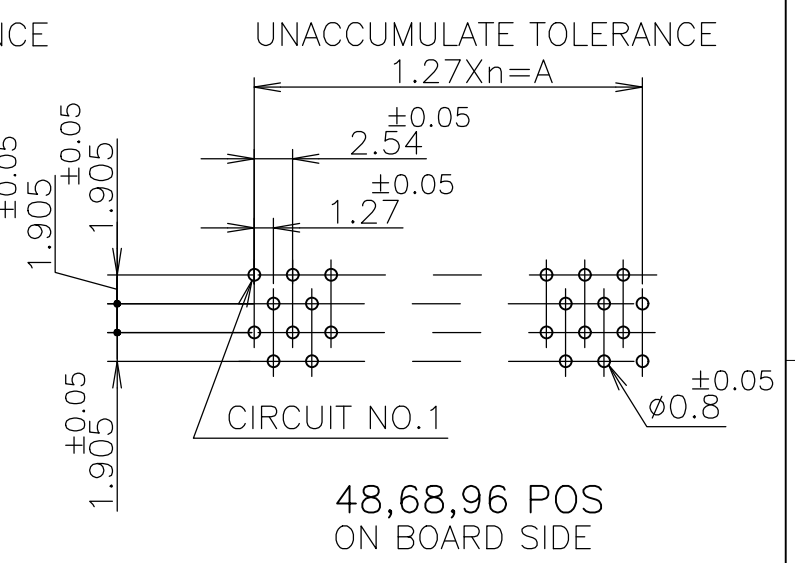
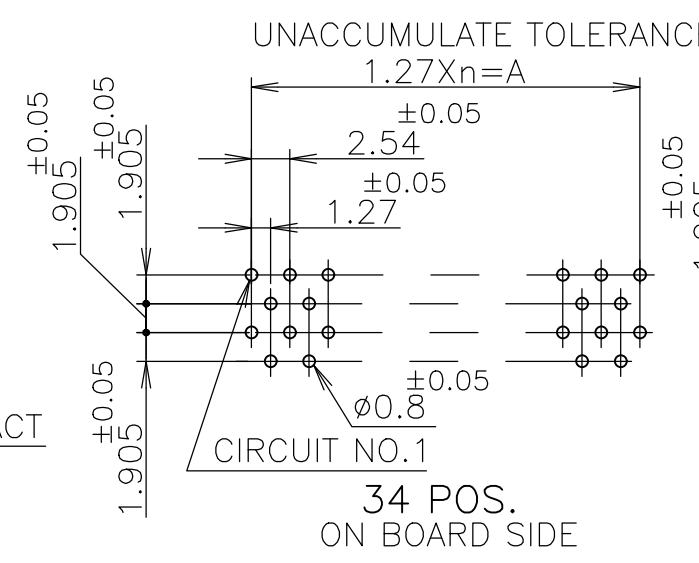
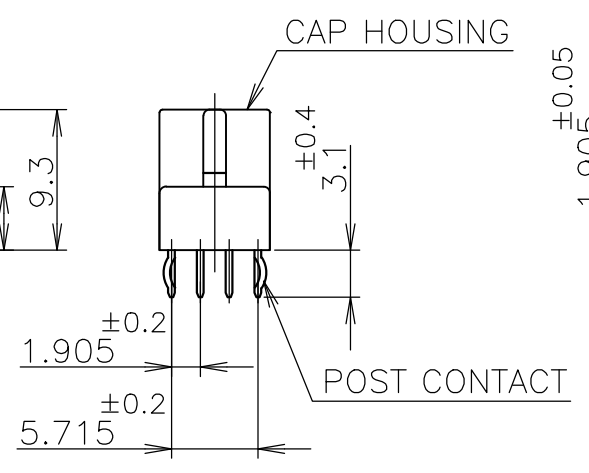
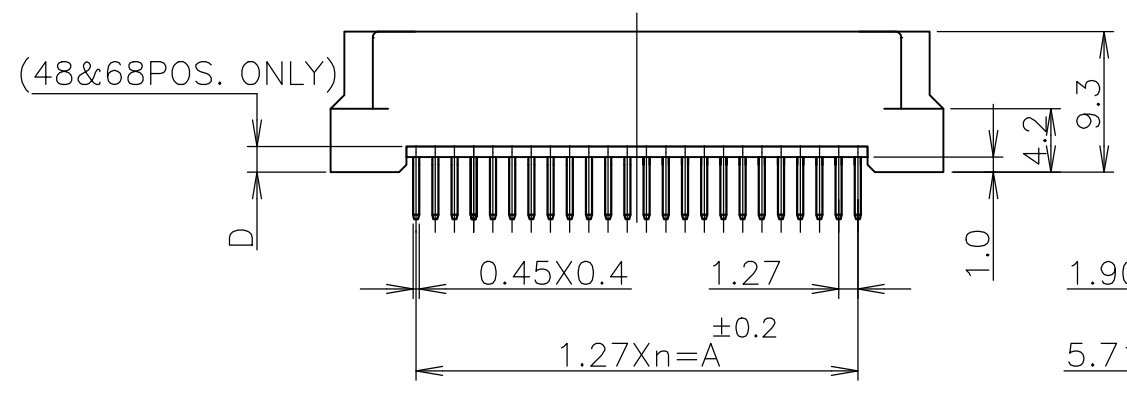


THIS DRAWING IS UNPUBLISHED. RELEASED FOR PUBLICATION . AUG 2005  
 © COPYRIGHT 2005 By - ALL RIGHTS RESERVED.

LOC	DIST	REVISIONS					
J	/	P	LTR	DESCRIPTION	DATE	DWN	APVD
		S		REVISED PER ECO-19-004945	12SEP2019	AP	DG



- 1 MATERIAL AND FINISH  
 CAP HOUSING ; THERMOPLASTIC (UL94V-0) COLOR:BLACK  
 POST CONTACT ; COPPER ALLOY FINISH,OVER NICKEL  
 MATING END:0.0002 MIN. OR 0.00076 MIN. GOLD  
 TERMINATION END:TIN OVER SEALING TREATMENT.
- 2 P.C.B. LAYOUT AND P.C.B. TREATMENT(REF.)  
 USE A P.C.B. SURFACE ARE TREATED WITH SOLDER RESIST.
- 3 KINK POSITIONS(4 POSITIONS).
- 4 OBSOLETE PARTS: OBSOLETE CIS STREAMLINING PER D.RENAUD/D.SINISI



4 OBSOLETE	Au PL. 0.00076 MIN.	96	48	59.69	64.06	71.00	—	47	96	6	—	—	8
		68	34	41.91	46.28	53.22	1.7	33	68	6	—	—	7
		48	24	29.21	33.58	40.52	1.7	23	48	6	—	—	6
		34	17	20.32	24.69	31.63	—	16	34	6	—	—	5
OBSOLETE	Au PL. 0.0002 MIN.	96	48	59.69	64.05	71.00	—	47	96				8
		68	34	41.91	46.28	53.22	1.7	33	68				7
		48	24	29.21	33.58	40.52	1.7	23	48				6
4 OBSOLETE		34	17	20.32	24.69	31.63	—	16	34				5
REMARK		N	M	A	B	C	D	n	POS.	PART NO.			

GENERAL TOLERANCE  
 一般公差  
 10 ≥ : ±0.2  
 30 ≥ > 10: ±0.25  
 100 ≥ > 30: ±0.3  
 ANGLES: ±3°

THIS DRAWING IS A CONTROLLED DOCUMENT.  
 DIMENSIONS: 単位: 耗 mm  
 TOLERANCES UNLESS OTHERWISE SPECIFIED: 一般公差  
 0 PLC ±  
 1 PLC ±  
 2 PLC ±  
 3 PLC ±  
 4 PLC ±  
 ANGLES ±  
 FINISH 仕上  
 MATERIAL 材料

DWN T.KAWAMAE 04AUG05  
 CHK T.SASAKI 04AUG05  
 APVD T.SASAKI 04AUG05  
 PRODUCT SPEC 製品規格  
 APPLICATION SPEC 取付適用規格  
 WEIGHT  
 CUSTOMER DRAWING

**STE** TE Connectivity  
 CAP ASSY VERTICAL (W/KINK)  
 AMPLIMITE 050 SERIES I B-TO-B CONN.

SIZE A3 CAGE CODE 00779 DRAWING NO. 5174683 RESTRICTED TO  
 SCALE 尺度 2:1 SHEET 1 OF 1 REV S