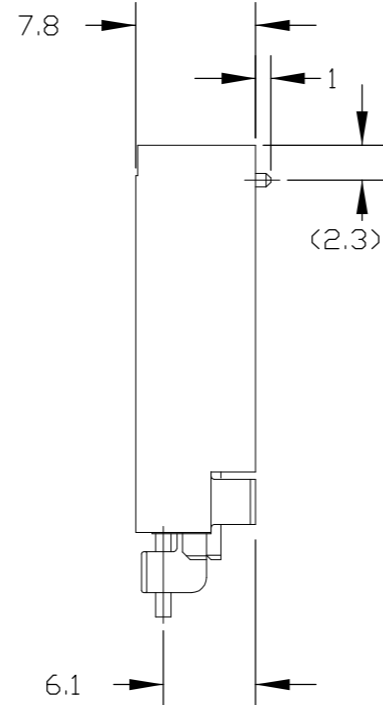
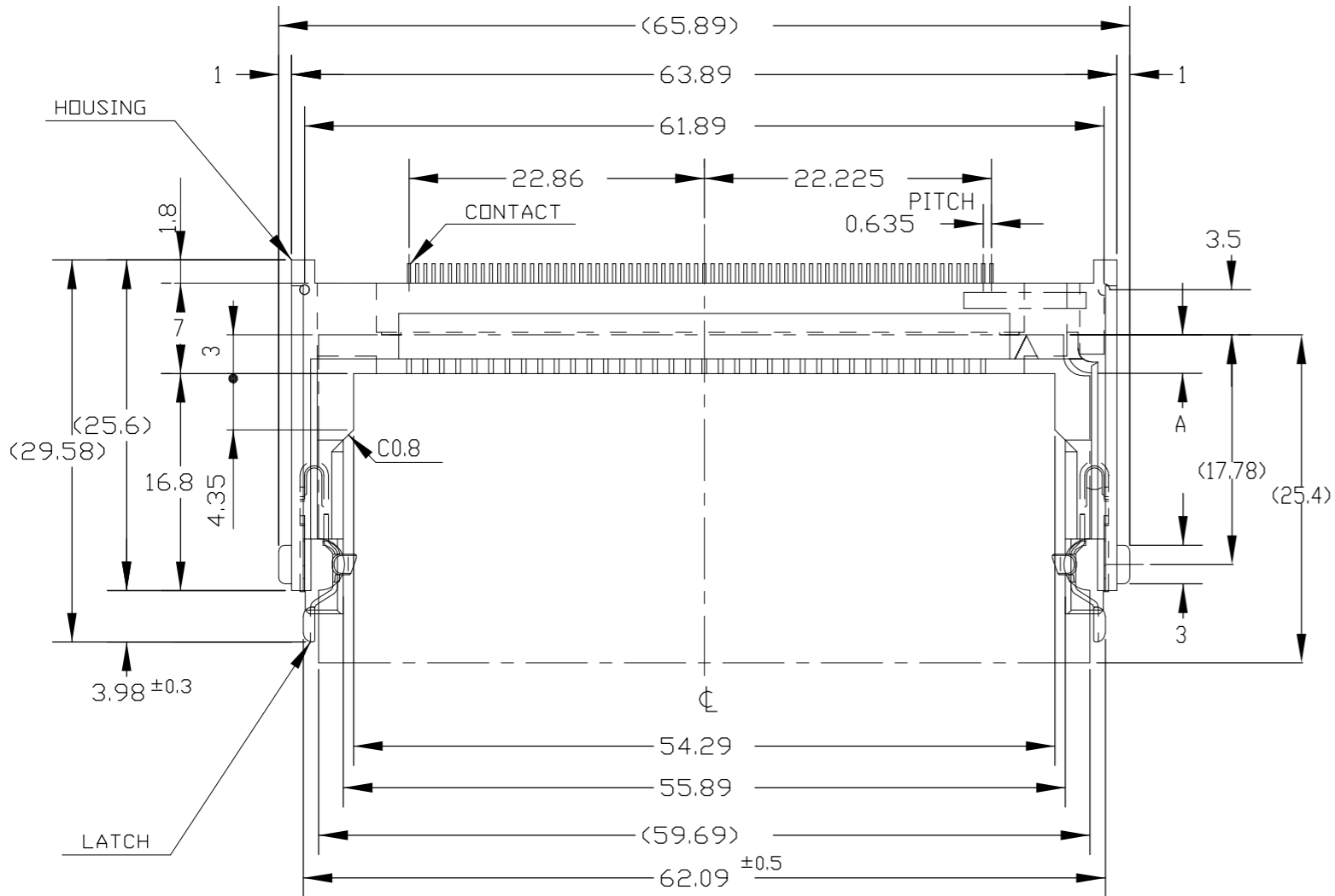


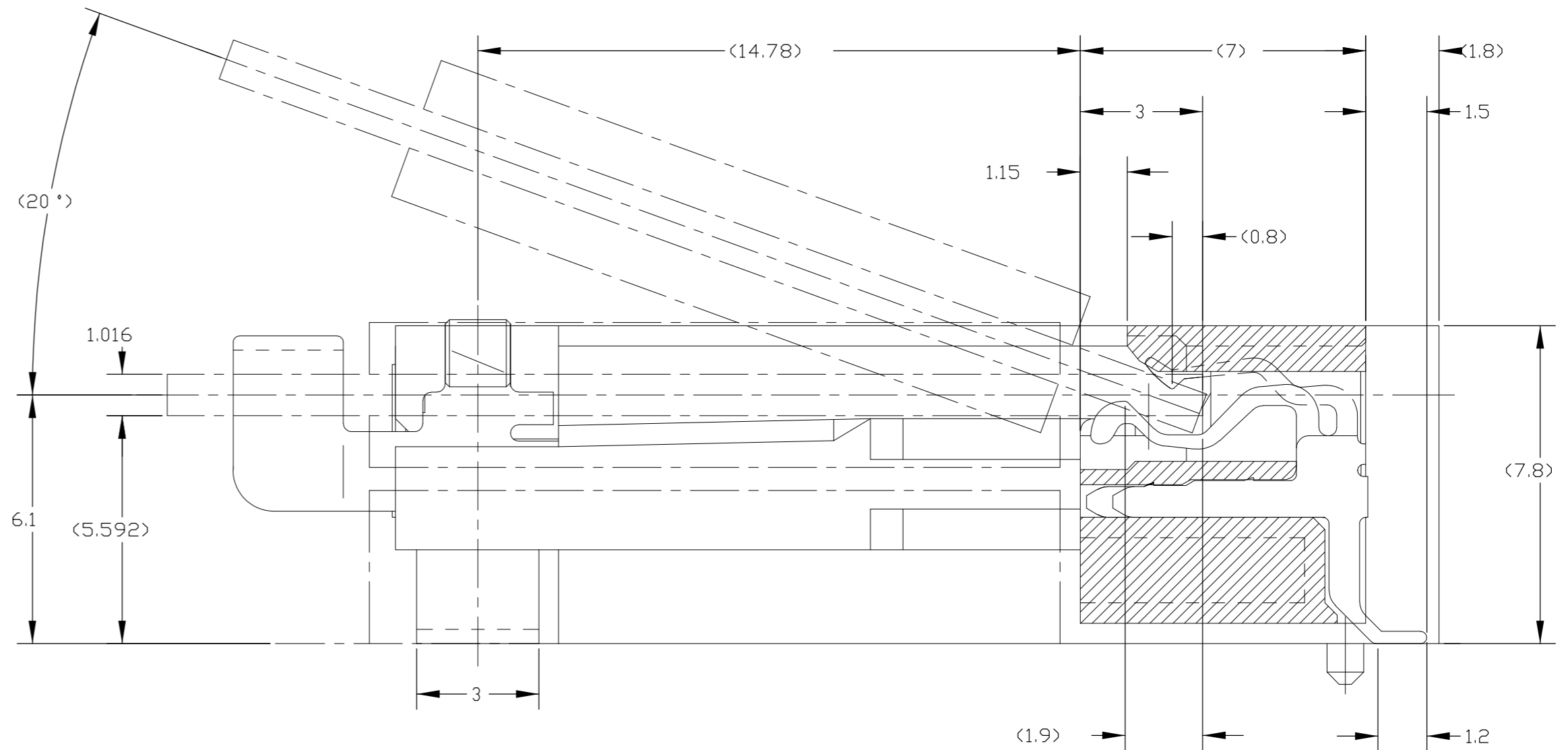
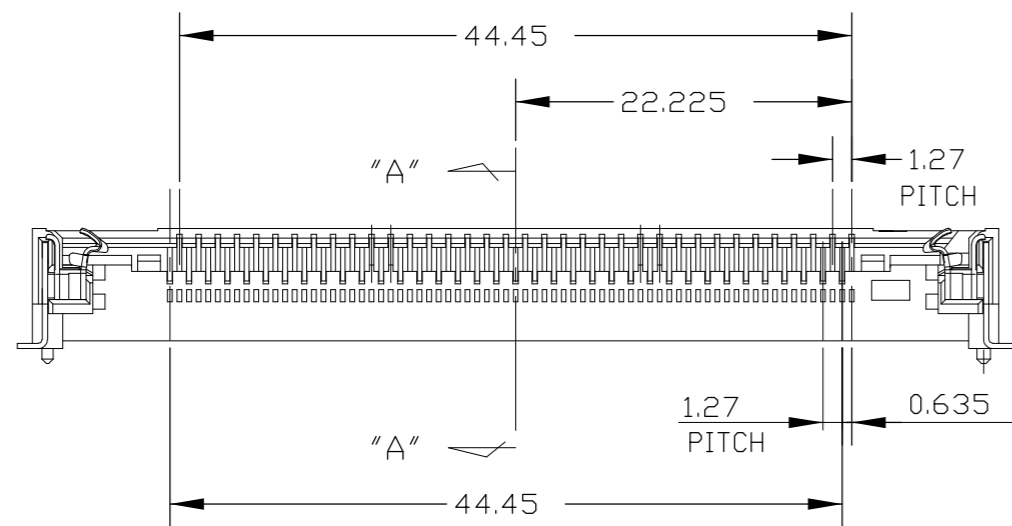
THIS DRAWING IS UNPUBLISHED. RELEASED FOR PUBLICATION  
 © COPYRIGHT - By - ALL RIGHTS RESERVED.

LOC		DIST		REVISIONS			
P	LTR	DESCRIPTION	DATE	DWN	APVD		
J	-	R	ECR-13-002110	07MAY2013	W.W	C.W	

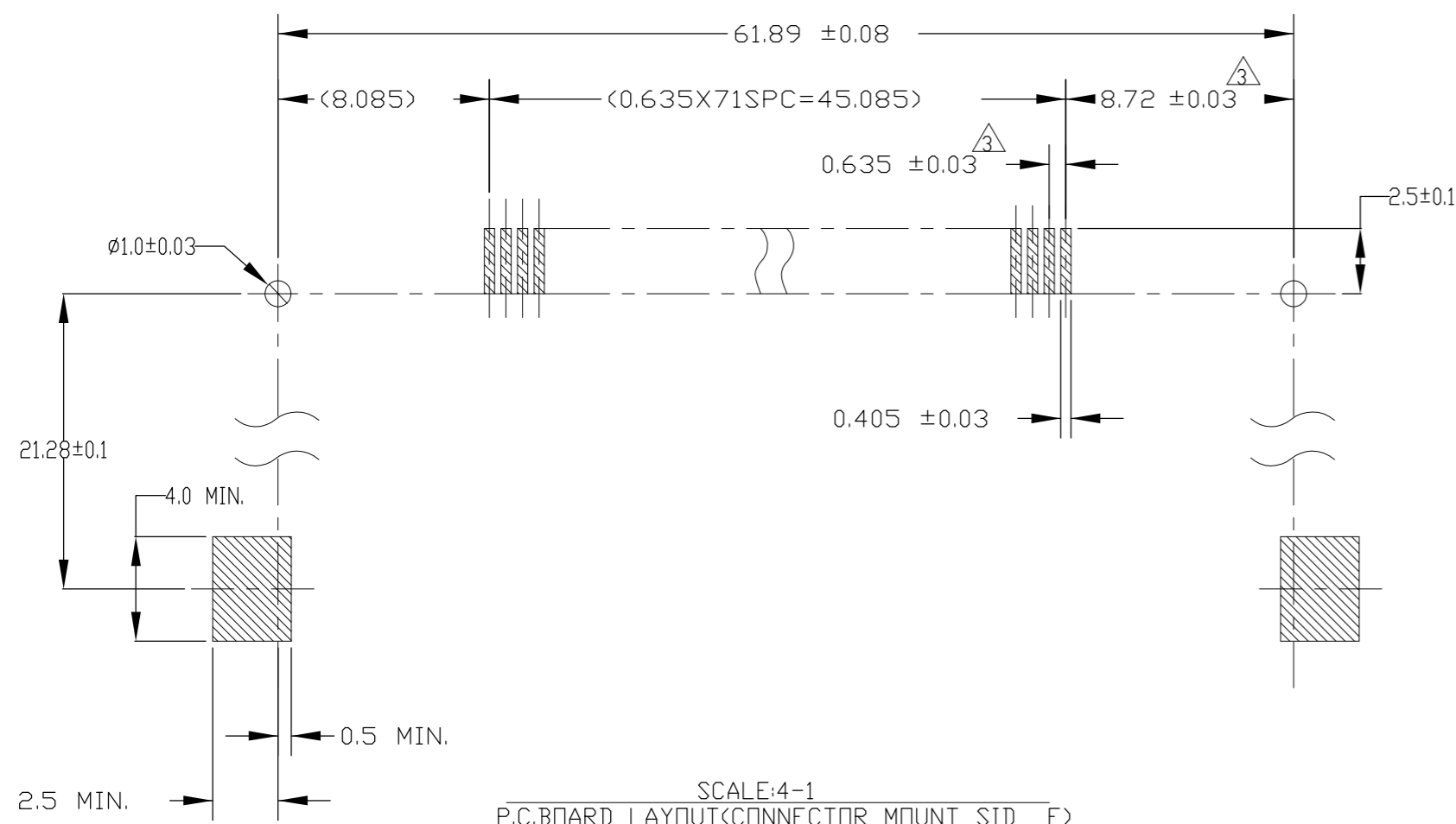


NOTES

- 1. MATERIAL & FINISH
- HOUSING : GLASS FILLED LCP
- CONTACT : COPPER ALLOY
- FINISH : SEE NOTES
- LATCH : STAINLESS STEEL, TIN PL.
- CONTACT PLATING (Au PL TYPE)
- Au(0.0003)PLAT CONTACT, TIN PLAT
- TINE OVER Ni PL.
- TOLERANCE : NON CUMULATIVE.



SECT. "A" - "A"  
(SCALE: 8-1)



SCALE: 4-1  
P.C. BOARD LAYOUT (CONNECTOR MOUNT SIDE)

REV	DESCRIPTION	DATE	BY	APP'D
6.15	Au	5179601-3		
2.98	Au	5179601-1		
A	PLATING (CONTACT POINT)	PART No.		

THIS DRAWING IS A CONTROLLED DOCUMENT.		DWN	LEO ZHOU	17/MAY/05
DIMENSIONS: mm		CHK	STEVEN YAO	17/MAY/05
TOLERANCES UNLESS OTHERWISE SPECIFIED:		APVD	LENOMOTO	17/MAY/05
0-10	± 0.2	PRODUCT SPEC		
10-30	± 0.25	APPLICATION SPEC		
30-100	± 0.3	WEIGHT	-	
ANGLE	± 3°	CUSTOMER DRAWING		

TE Connectivity		MIII SOCKET HIGH PRO.	
SIZE	A2	CAGE CODE	00779
DRAWING NO	C=5179601		RESTRICTED TO
SCALE	2:1	SHEET	1 OF 2
REV	R		

(GENERAL TOLERANCE)	(INSULATION DIA.)
0-10 : ±0.2	mmØ
10-30 : ±0.25	(WIRE RANGE)
30-100 : ±0.3	mm² (AWG - )
ANGLE : ±3°	

