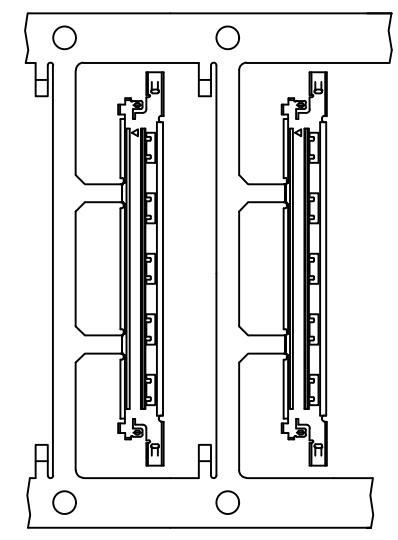
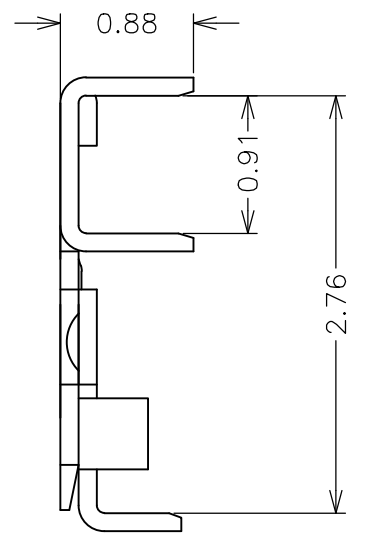
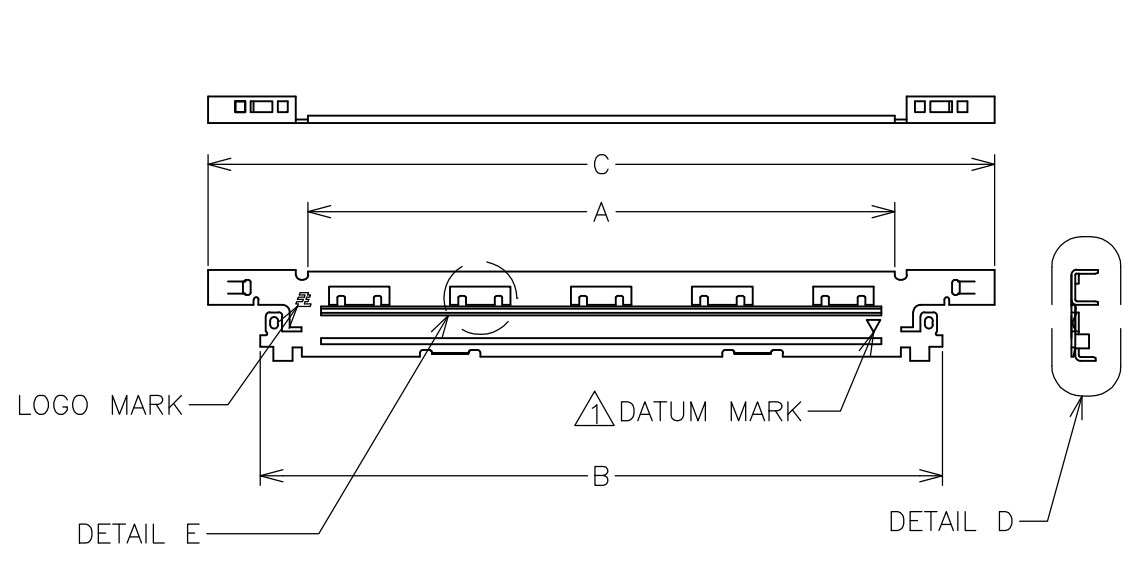


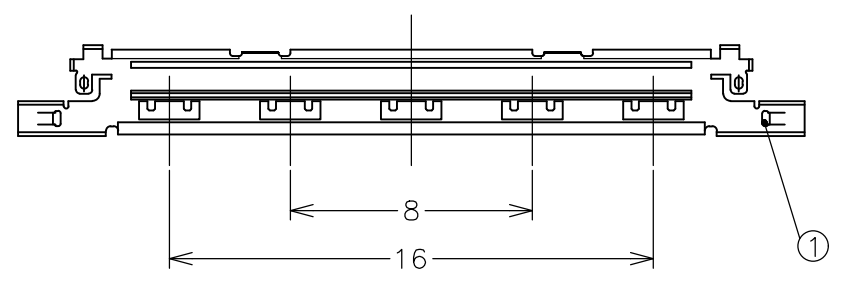
THIS DRAWING IS UNPUBLISHED. RELEASED FOR PUBLICATION
 © COPYRIGHT - TE Connectivity Ltd. ALL RIGHTS RESERVED.

REVISIONS 変更				
P	LTR	DESCRIPTION	DATE	APVD
	B	REVISED PER ECO-19-000017	07JAN2019	K.G W.H

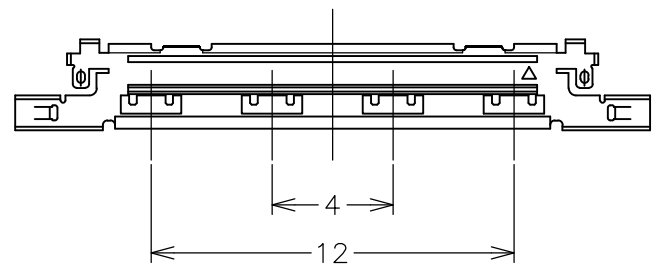
PART NO.	POS NO.	A	B	C	DATUM MARK \triangle	TOOLING STATUS
2023347-3	40	19.4	22.56	26	WITHOUT DATUM MARK	AVAILABLE
2023347-2	30	14.4	17.56	21		NOT AVAILABLE
2023347-1	20	9.4	12.56	16		NOT AVAILABLE
5-2023347-3	40	19.4	22.56	26	WITH DATUM MARK	NOT AVAILABLE
5-2023347-2	30	14.4	17.56	21		NOT AVAILABLE
5-2023347-1	20	9.4	12.56	16		NOT AVAILABLE



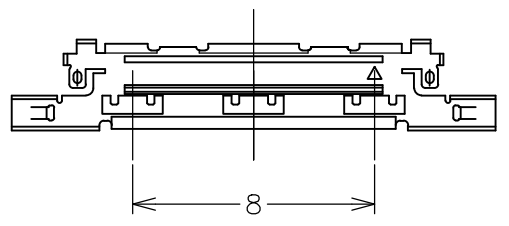
VIEW P
(SCALE 2:1)



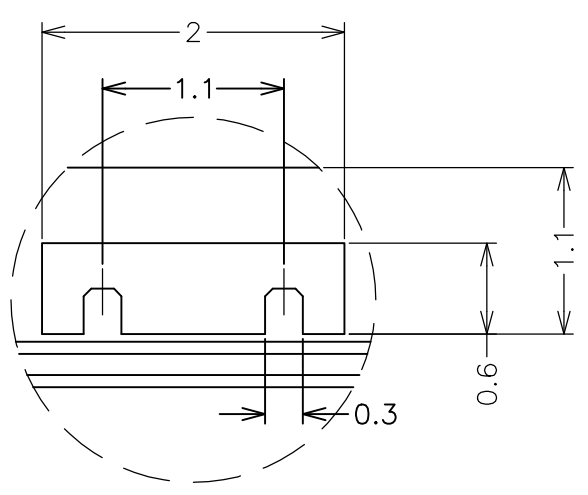
AS SHOWN : 5-2023347-3(40P)



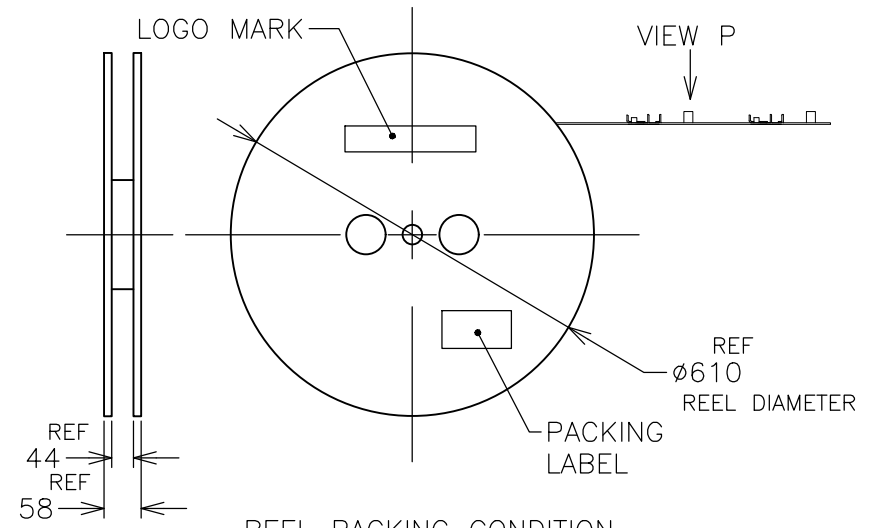
AS SHOWN : -2(30P)



AS SHOWN : -1(20P)



DETAIL E
(SCALE 20:1)



REEL PACKING CONDITION
(SCALE REF.)

GENERAL TOLERANCE	
6 MAX.	±0.2
6 OVER MAX. 30	±0.3
30 OVER MAX. 120	±0.5
ANGLE	±2°

THIS DRAWING IS A CONTROLLED DOCUMENT.	
DIMENSIONS: 単位: 耗 mm	TOLERANCES UNLESS OTHERWISE SPECIFIED: 一般公差
	0 RLC ± -
	1 PLC ± -
	2 PLC ± -
	3 PLC ± -
	4 PLC ± -
	ANGLES ± -
MATERIAL 材料	FINISH 仕上

①	UPPER SHELL	COPPER ALLOY, Au OVER Ni
ITEM	PART NAME	MATERIAL & FINISH \triangle
DWN	Y.SHINO	18SEP2009
CHK	S.KAJINUMA	18SEP2009
APVD	S.KAJINUMA	18SEP2009
PRODUCT SPEC	LCD COAXIAL EMBEDDED DISPLAY INTERFACE (LCEDI) 0.5mm PITCH PLUG UPPER SHELL	
APPLICATION SPEC	108-78659	NAME 名称
取付適用規格	114-5456	SIZE
WEIGHT	0.000000	CAGE CODE
CUSTOMER DRAWING		A3 00779
SCALE 尺度		4:1
SHEET		1 OF 1
REV		B

