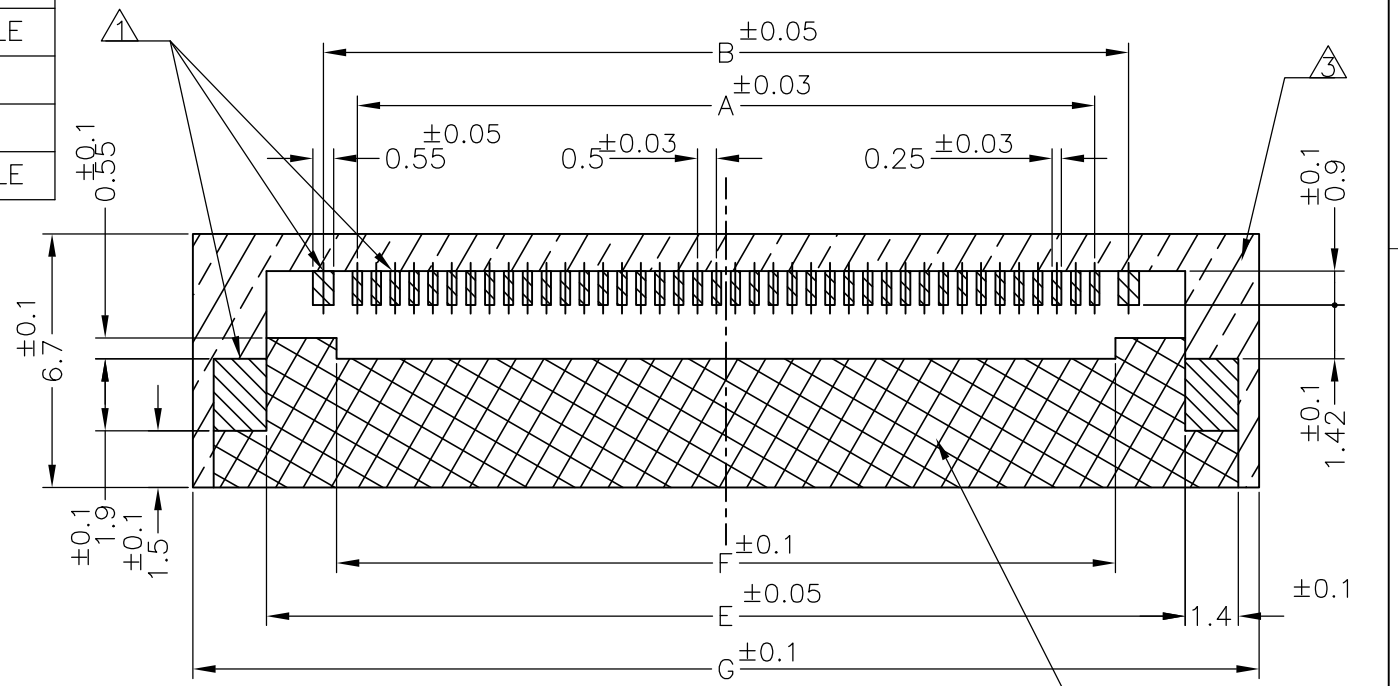
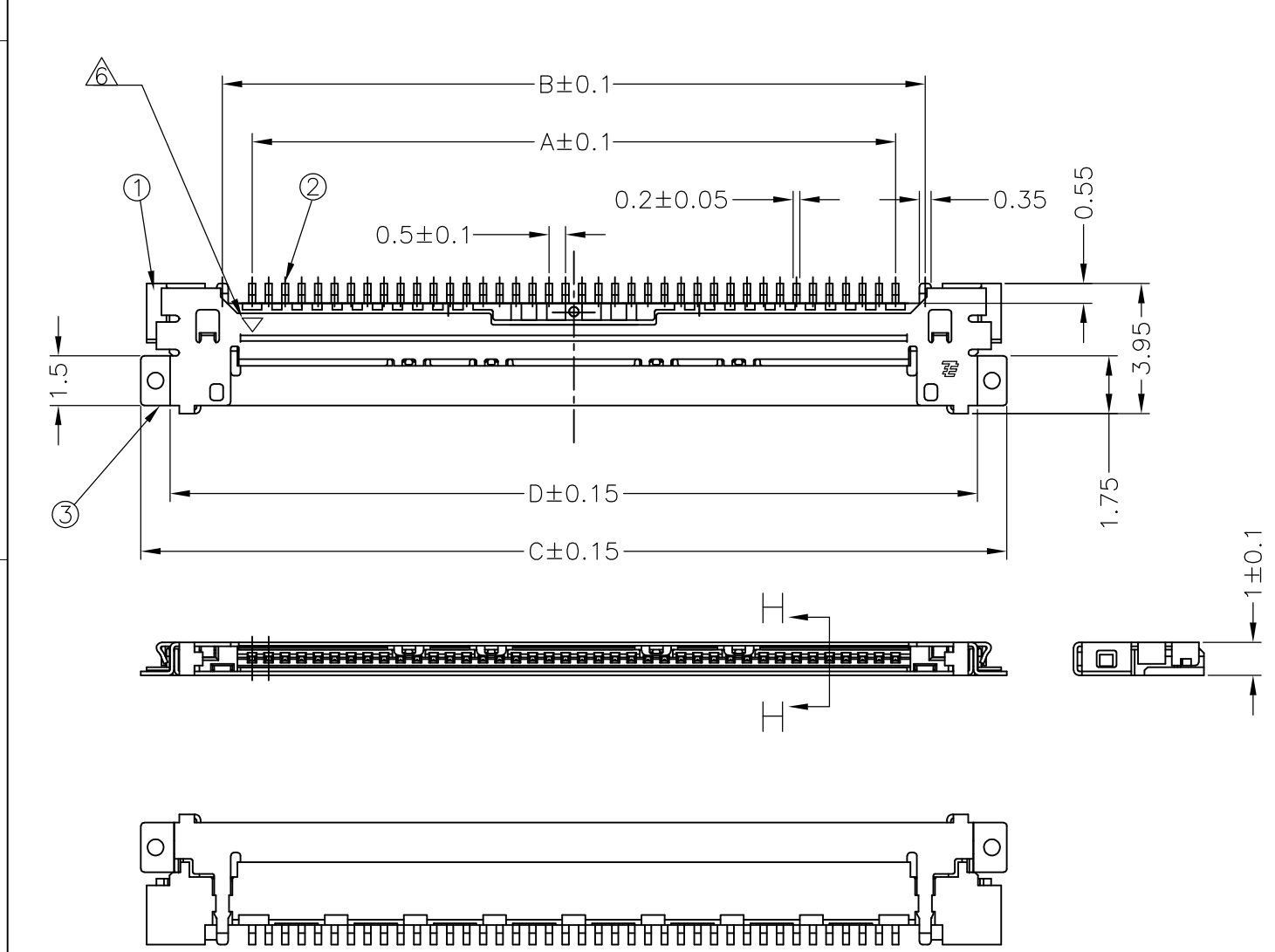


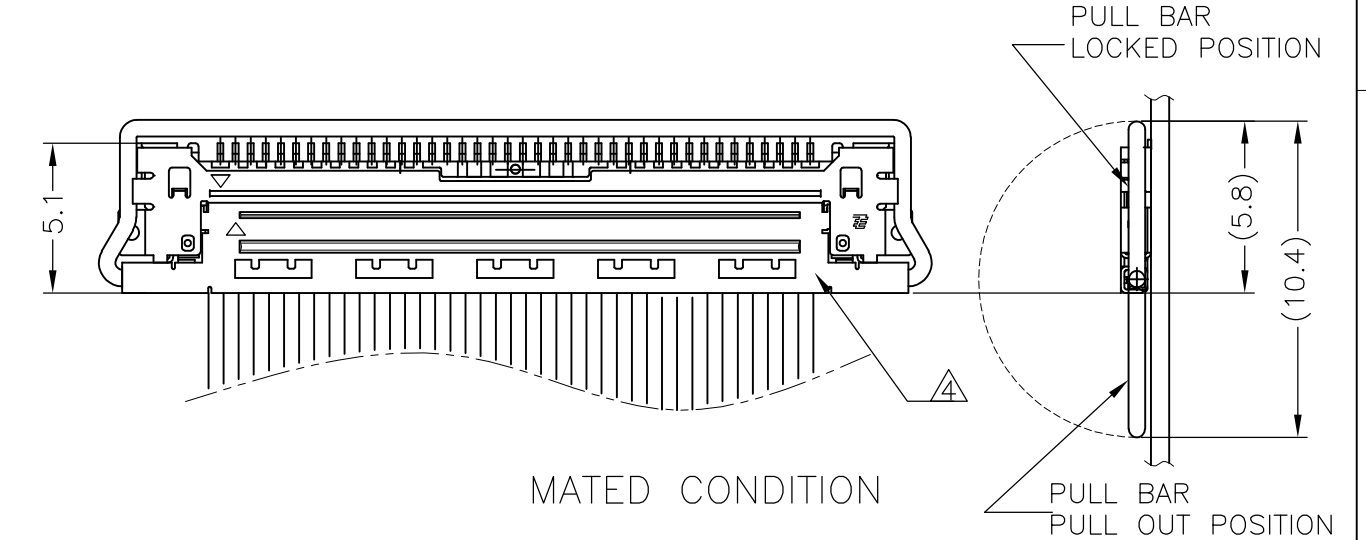
THIS DRAWING IS UNPUBLISHED.		RELEASED FOR PUBLICATION								
© COPYRIGHT - By -		ALL RIGHTS RESERVED.								
PART NO.	POS NO.	A	B	C	D	E	F	G	DATUM MARK $\triangle$	TOOLING STATUS
2069716-3	40	19.5	21.3	26.25	24.47	24.3	20.6	28.2	WITHOUT DATUM MARK	AVAILABLE
2069716-2	30	14.5	16.3	21.25	19.47	19.3	15.6	23.2		NOT AVAILABLE
2069716-1	20	9.5	11.3	16.25	14.47	14.3	10.6	18.2		NOT AVAILABLE
5-2069716-3	40	19.5	21.3	26.25	24.47	24.3	20.6	28.2	WITH DATUM MARK	OBSOLETE
5-2069716-2	30	14.5	16.3	21.25	19.47	19.3	15.6	23.2		OBSOLETE
5-2069716-1	20	9.5	11.3	16.25	14.47	14.3	10.6	18.2		NOT AVAILABLE

REVISIONS					
P	LTR	DESCRIPTION	DATE	DWN	APVD
	B	REVISED (ECR-17-011570)	16AUG2017	C.H	A.K

5-2069716-3 AS SHOWN

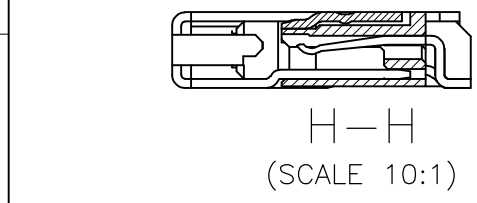


REFERENCE PWB LAYOUT

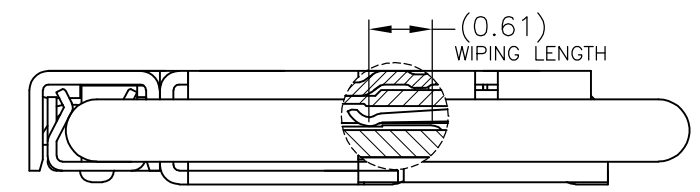


MATED CONDITION

③	SHELL	COPPER ALLOY, Au OVER Ni
②	CONTACT	COPPER ALLOY, Au OVER Ni
①	HOUSING	HIGH TEMP. THERMOPLASTIC, UL94V-0, BLACK
ITEM	PART NAME	MATERIAL & FINISH



H-H  
(SCALE 10:1)



MATED CONDITION  
(REFERENCE)

- $\triangle$  1 SOLDERING AREA
- $\triangle$  2 RESIST OR GND AREA
- $\triangle$  3 PULL BAR MOVEMENT AREA
- $\triangle$  4 THE CONNECTOR SHOULD BE PLUGGED WITH 2069715-3.
- 5. COPLANARITY 0.1MAX
- $\triangle$  6 DATUM MARK
- 7. INSTRUCTION SHEET 411-78355

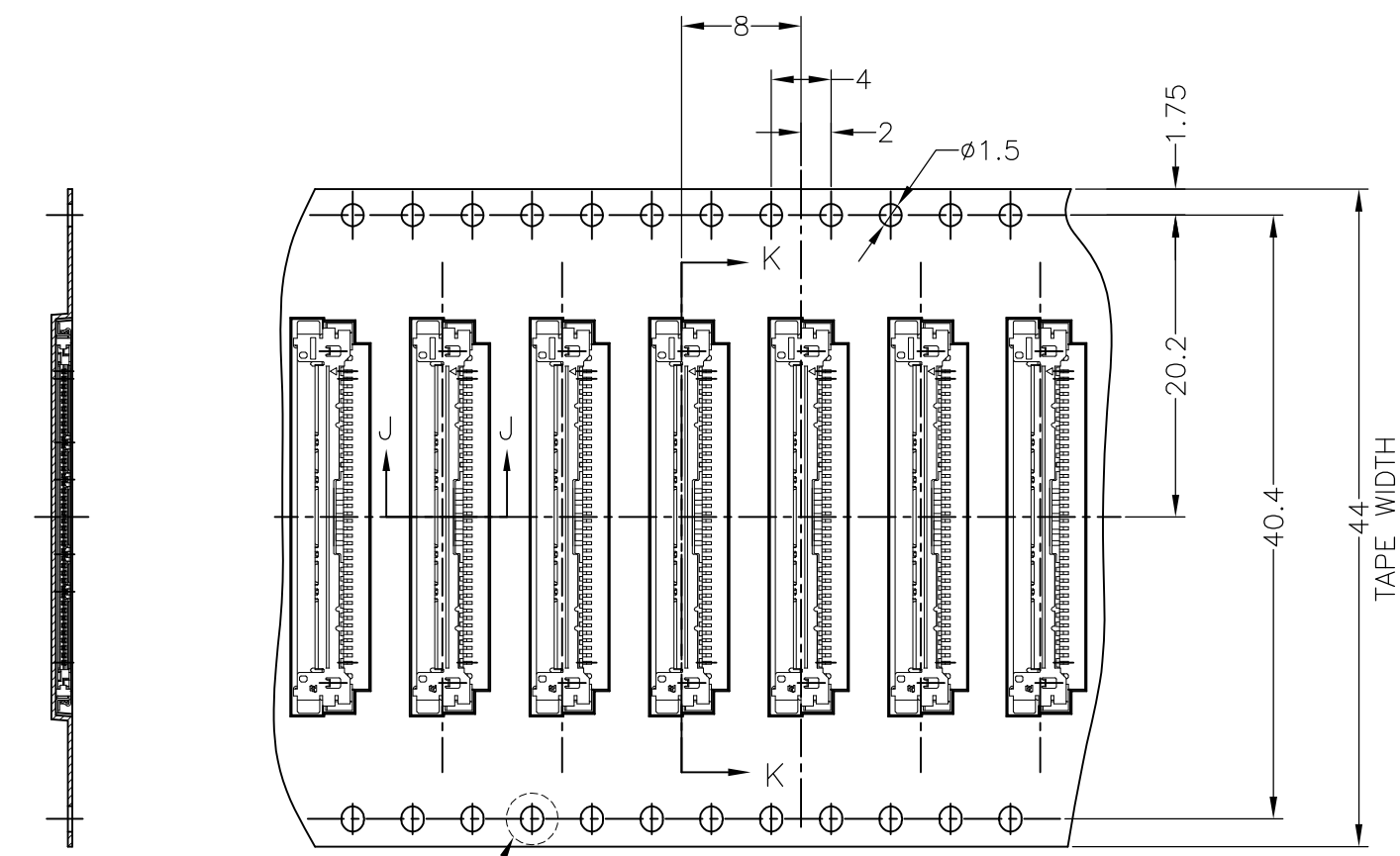
THIS DRAWING IS A CONTROLLED DOCUMENT.		DWN Y.SHINO 18SEP2009	 TE Connectivity
DIMENSIONS: mm		CHK S.KAJINUMA 18SEP2009	
TOLERANCES UNLESS OTHERWISE SPECIFIED:		APVD S.KAJINUMA 18SEP2009	
0 RLC ± - 1 PLC ± - ±0.2 2 PLC ± - ±0.2 3 PLC ± - ±2° 4 PLC ± - ± ANGLES ± - FINISH ± -		NAME S.KAJINUMA	
MATERIAL		PRODUCT SPEC 108-78659	LCD COAXIAL EMBEDDED DISPLAY INTERFACE (LCEDI) 0.5mm PITCH RECEPTACLE ASSEMBLY
		APPLICATION SPEC	SIZE A3
		WEIGHT	CAGE CODE 00779
		CUSTOMER DRAWING	DRAWING NO C-2069716
			RESTRICTED TO
			SCALE 5:1
			SHEET 1 OF 2
			REV B

THIS DRAWING IS UNPUBLISHED. RELEASED FOR PUBLICATION  
 © COPYRIGHT - By - ALL RIGHTS RESERVED.

REVISIONS					
P	LTR	DESCRIPTION	DATE	DWN	APVD
-	-	SEE SHEET 1	-	-	-

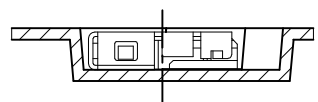
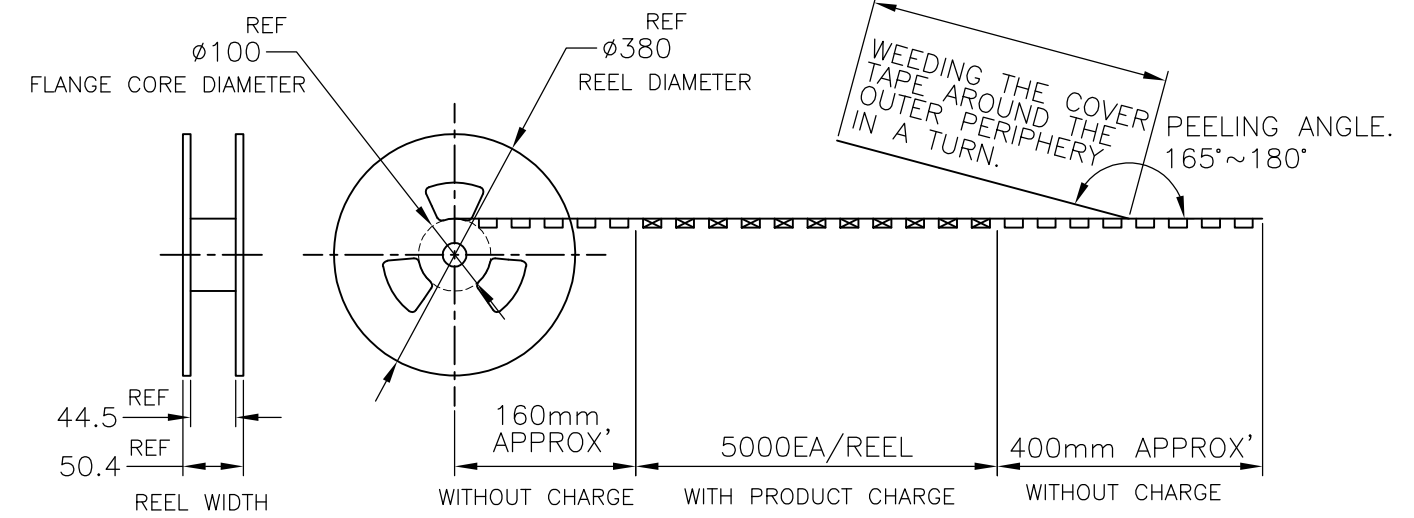
### EMBOSS PACKING CONDITION

DIRECTION OF TOP OF REEL →

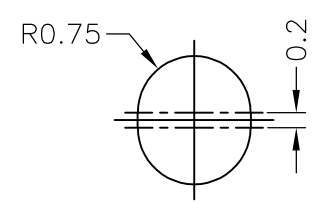


K-K

DETAIL L



J-J  
SCALE 5:1



DETAIL L  
SCALE 10:1

THIS DRAWING IS A CONTROLLED DOCUMENT.		DWN	TE Connectivity		
DIMENSIONS: mm		CHK	NAME		
		APVD	LCD COAXIAL EMBEDDED DISPLAY INTERFACE (LCEDI) 0.5mm PITCH CONNECTOR RECEPTACLE ASSEMBLY		
TOLERANCES UNLESS OTHERWISE SPECIFIED:		PRODUCT SPEC	SIZE	CAGE CODE	DRAWING NO
0 PLC ± 0.3	1 PLC ± 0.3	APPLICATION SPEC	A3	00779	C-2069716
2 PLC ± 0.3	3 PLC ± 0.3	WEIGHT	RESTRICTED TO		
4 PLC ± -	ANGLES ± 3'	MATERIAL	CUSTOMER DRAWING		
FINISH		SCALE 2:1		SHEET 2 of 2	REV B