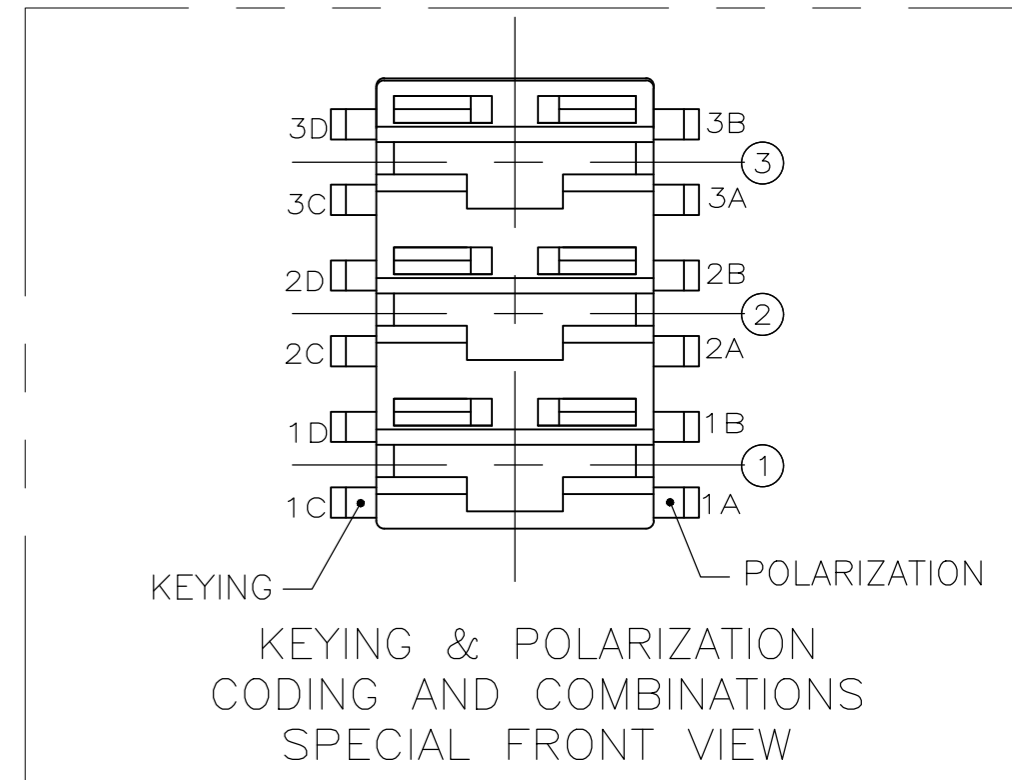
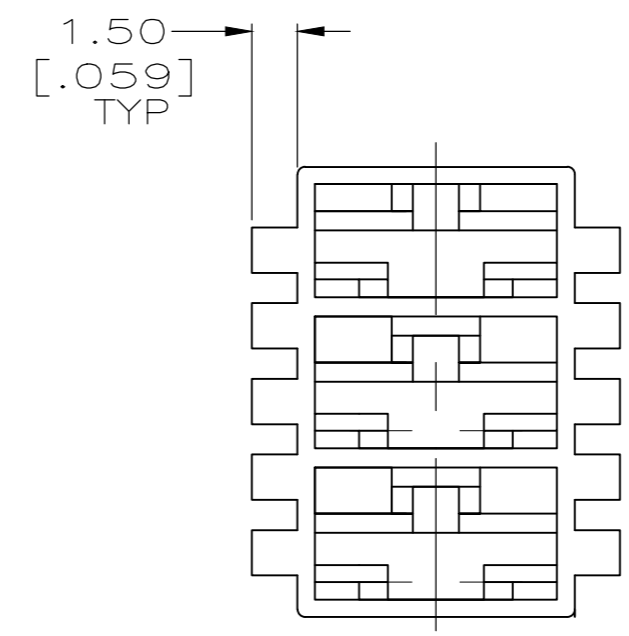
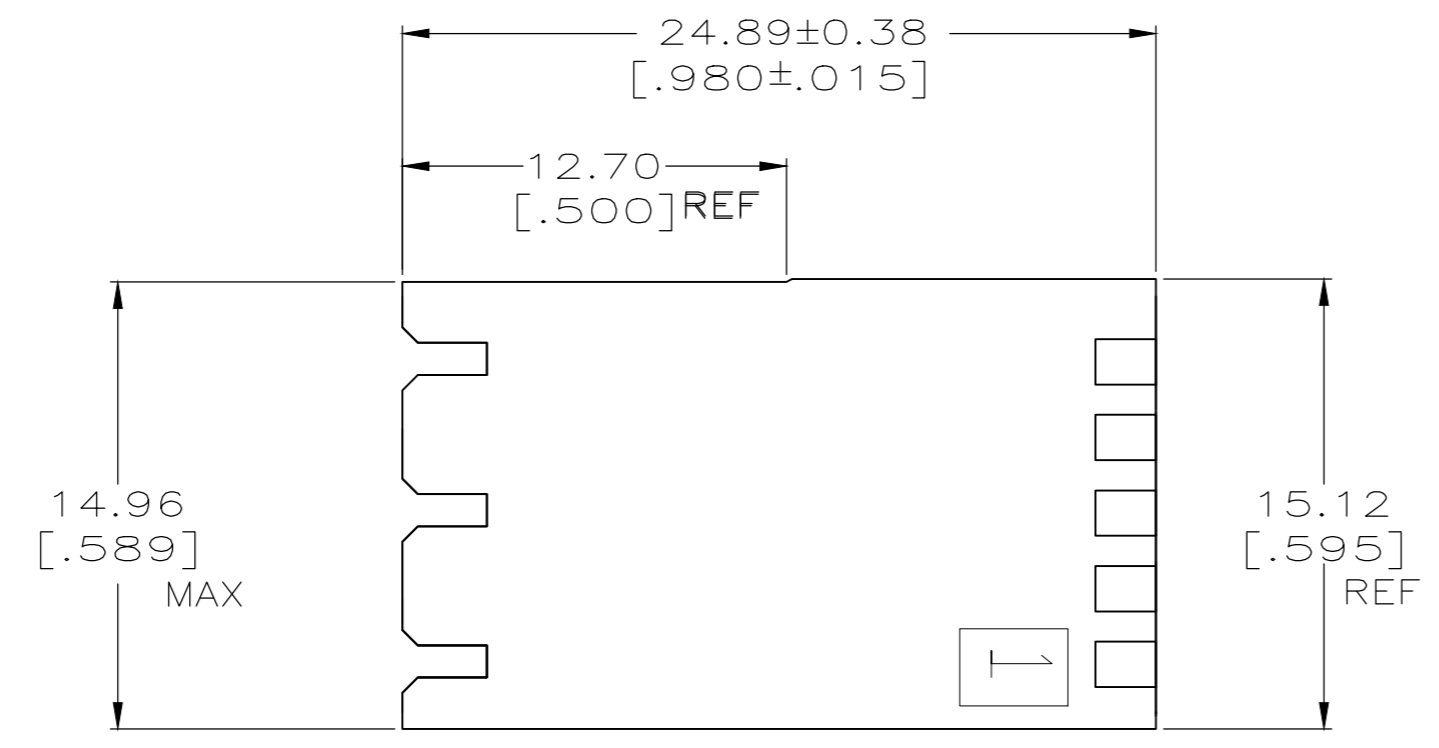
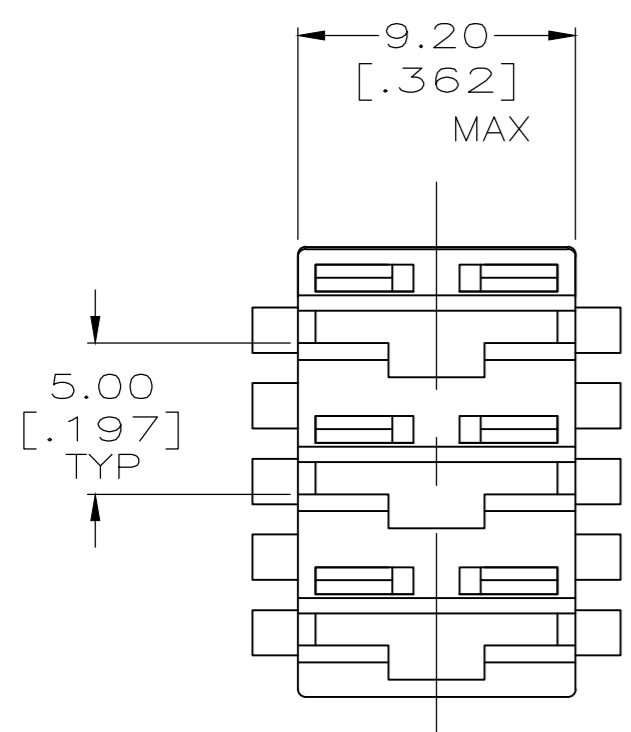
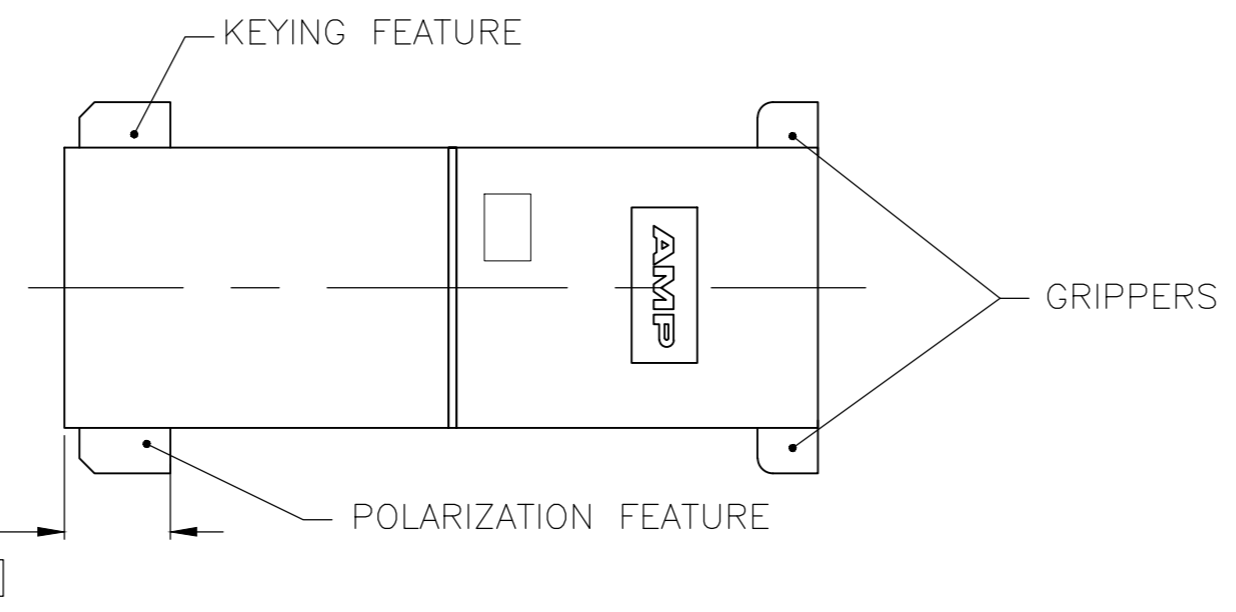


THIS DRAWING IS UNPUBLISHED. RELEASED FOR PUBLICATION
 © COPYRIGHT - By - ALL RIGHTS RESERVED.

REVISIONS					
P	LTR	DESCRIPTION	DATE	DWN	APVD
G6		REVISED PER ECR-20-004498	28APR2020	SM	FL



- 1 ACCEPTS RECEPTACLE CONTACTS 1217378 (#22-#18 AWG SINGLE WIRE), 1217094 (#18-#14 AWG SINGLE WIRE) AND 1217095 (TWO #18'S OR TWO #16'S OR A #16 + #18 COMBINATION).
- 2 FRONT AND BACK VIEWS SHOW ONLY THE GRIPPERS. FOR KEYING AND POLARIZATION FEATURES, SEE SPECIAL FRONT VIEW.
- 3 ACCORDING TO IEC 60335-1, GWEPT 750°C WITHOUT FLAME
- 4 PRELIMINARY - NOT FOR PRODUCTION
- 5 PREPRODUCTION- FASR REQUIRED

3		FINISH/COLOR	KEYING FEATURE	POLARIZATION FEATURE	PART NUMBER
	-	NATURAL	1C,2D	1B	1-521205-2
	-	NATURAL	1C	1A,3A	9-521205-3
OBSOLETE	-	BLUE	1C,3D	1B	1-521205-9
3	-	NATURAL	1C, 3C	3B	1-521205-1
	-	BLACK	NONE	NONE	1-521205-0
	-	BLUE	1C,3D	1B	521205-9
	-	BLUE	1C,3D	2A,3B	521205-8
	-	NATURAL	1C,3C	3B	521205-7
	03-K	NATURAL	1C,3D	3B	521205-6
	-	BLUE	1C,2D	1B,3A	521205-5
	-	BLUE	1D,2C,3D	2A	521205-4
	-	BLUE	NONE	NONE	521205-3
	03-A	NATURAL	1C,2D	1B	521205-2
	03-A	BLUE	1C,2D	1B	521205-1
	RAST 5 DESIGNATION	FINISH/COLOR	KEYING FEATURE	POLARIZATION FEATURE	PART NUMBER

THIS DRAWING IS A CONTROLLED DOCUMENT.

DWN	JR RUTH	10/20/98
CHK	MS FEHER	10/20/98
APVD	J GILLESPIE	10/20/98
PRODUCT SPEC		
APPLICATION SPEC		
WEIGHT		

STE TE Connectivity

HOUSING, RECEPT, POSITIVE-LOCK, MKIII, 6.35 [.250] SERIES, 3 POSITION

SIZE: A2 CAGE CODE: 00779 DRAWING NO: 521205 RESTRICTED TO: -

MATERIAL: NYLON FINISH: SEE TABLE WEIGHT: CUSTOMER DRAWING SCALE: 4:1 SHEET: 1 OF 1 REV: G6