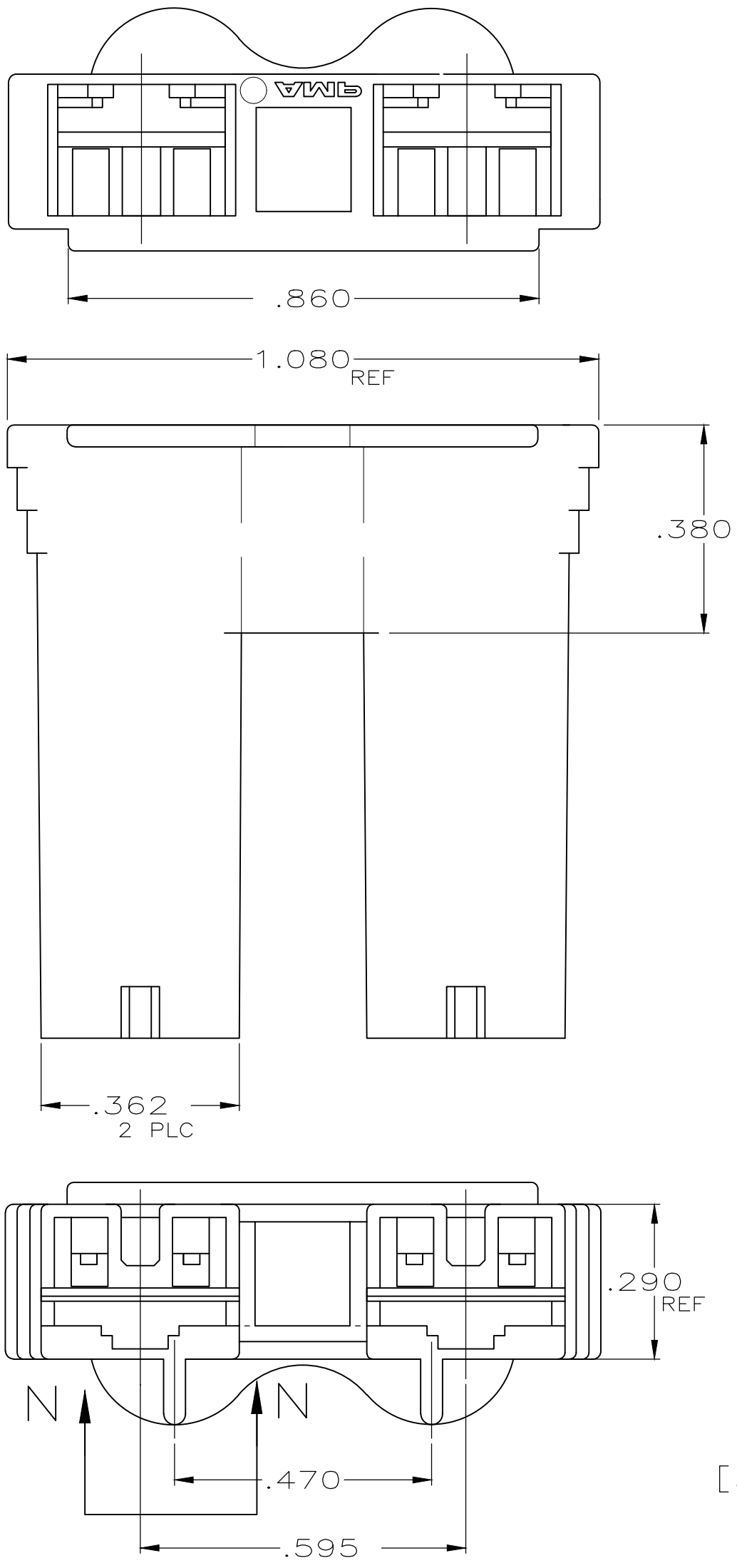
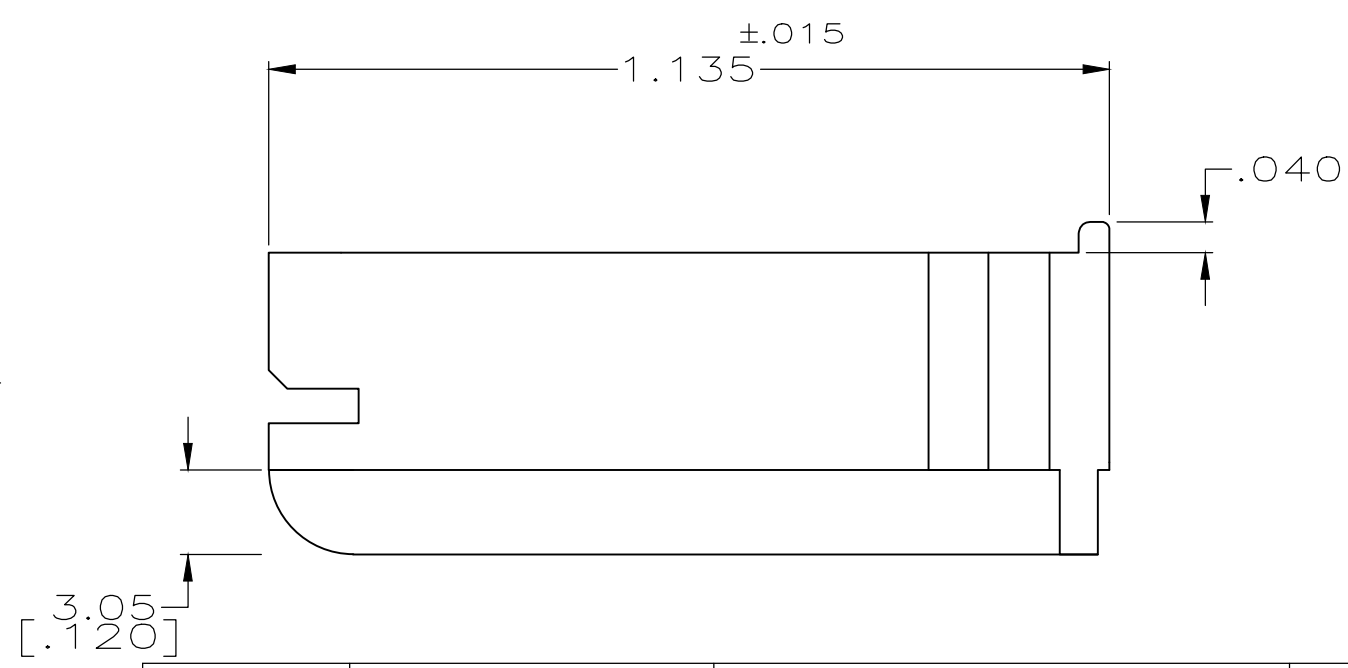


THIS DRAWING IS UNPUBLISHED. RELEASED FOR PUBLICATION  
 © COPYRIGHT - By - ALL RIGHTS RESERVED.

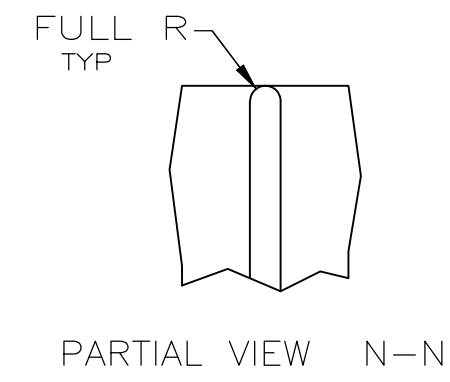
| LOC | DIST | REVISIONS   |                           |           |        |
|-----|------|-------------|---------------------------|-----------|--------|
| P   | LTR  | DESCRIPTION | DATE                      | DWN       | APVD   |
| AF  | 50   | M8          | REVISED PER ECR-19-017227 | 28JAN2020 | BDA DS |



- 1 GLOW WIRE APPROVED; CONTACT TE ENGINEERING FOR SPECIFICATION
- 2 ALL WALL THICKNESSES ARE BETWEEN .016 INCH (0.4MM) AND .118 INCH (3.0MM)
- 3 NOT FOR PRODUCTION: AGENCY APPROVAL IS PENDING.
- 4 SUPERSEDED BY 2-521229-1
- 5 SUPERSEDED BY 2-521229-2



| NOTES | COLOR   | MATERIAL                 | PART NO    |
|-------|---------|--------------------------|------------|
|       | RED     | 66 NYLON V0, GWT RED     | 2-521229-2 |
|       | NATURAL | 66 NYLON V0, GWT NATURAL | 2-521229-1 |
| 5     | RED     | NYLON 6, UL94-V2         | 1-521229-2 |
| 4     | NATURAL | NYLON 6, UL94-V2         | 1-521229-1 |
|       | RED     | NYLON 66/6, UL94-V0      | 521229-2   |
|       | NATURAL | NYLON 66/6, UL94-V0      | 521229-1   |



|  |  |                  |           |                  |  |   |           |            |               |     |    |
|--|--|------------------|-----------|------------------|--|---|-----------|------------|---------------|-----|----|
| THIS DRAWING IS A CONTROLLED DOCUMENT.   |  | DWN              | JR RUTH   | 05NOV99          |  | TE Connectivity   |           |            |               |     |    |
| DIMENSIONS: INCHES   |  | CHK              | M FEHER   | 05NOV99          |  | NAME  |           |            |               |     |    |
| TOLERANCES UNLESS OTHERWISE SPECIFIED:   |  | APVD             | D BRATINA | 05NOV99          |  | HOUSING, RECEPTACLE, FASTON, POSITIVE-LOCK MK II, .250 SERIES |           |            |               |     |    |
| 0 PLC ± -<br>1 PLC ± -<br>2 PLC ± -<br>3 PLC ± .010<br>4 PLC ± -<br>ANGLES ± - |  | PRODUCT SPEC     |           | APPLICATION SPEC |  | SIZE  | CAGE CODE | DRAWING NO | RESTRICTED TO |     |    |
| MATERIAL SEE TABLE   |  | FINISH SEE TABLE |           | WEIGHT           |  | A2  | 00779     | C-521229   | -             |     |    |
| CUSTOMER DRAWING   |  |                  |           |                  |  | SCALE   | 4:1       | SHEET      | 1 OF 1        | REV | M8 |

521229

A