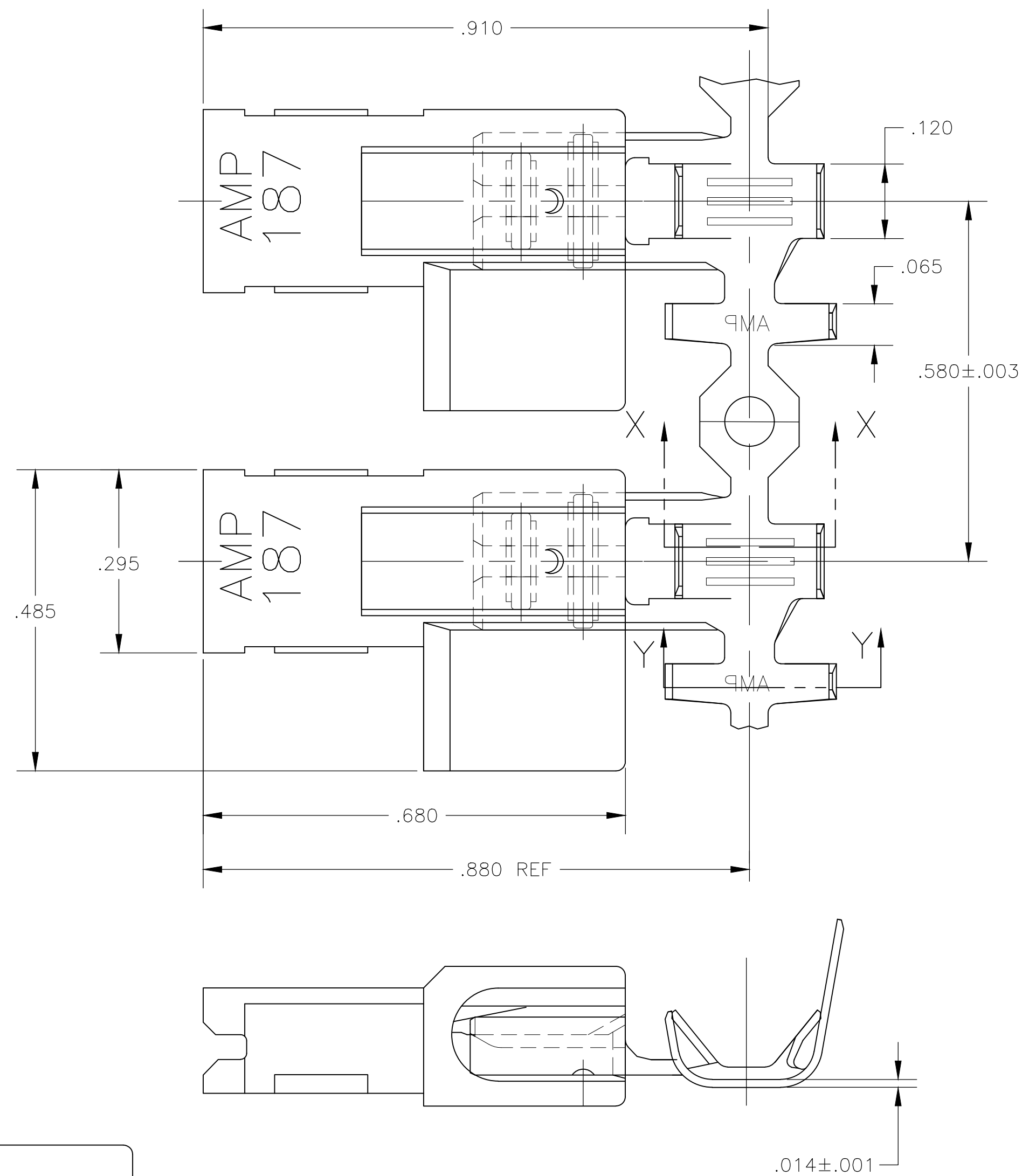
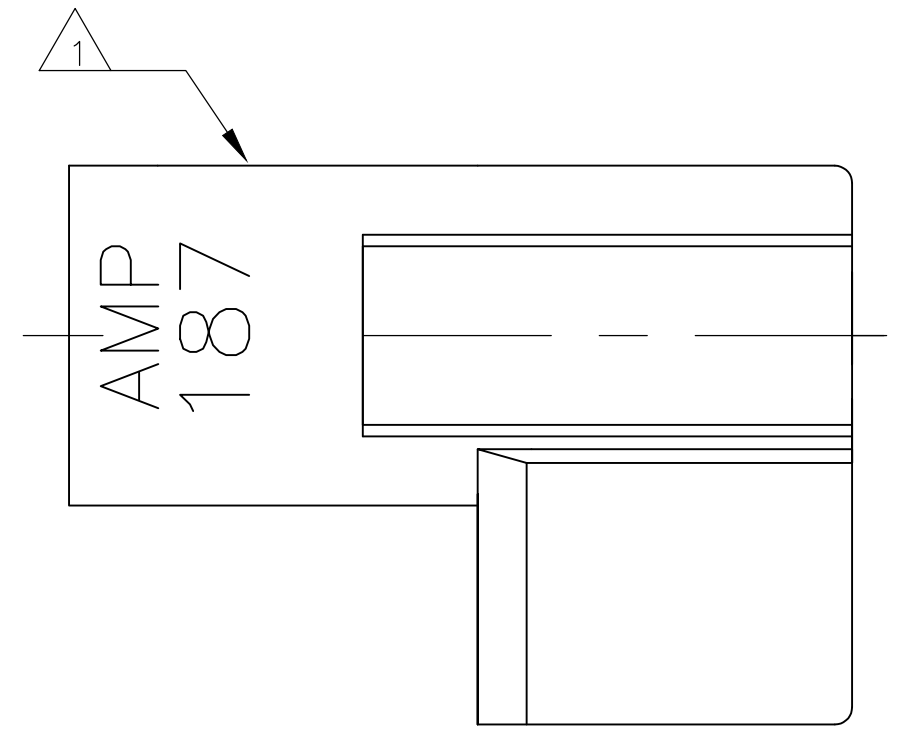
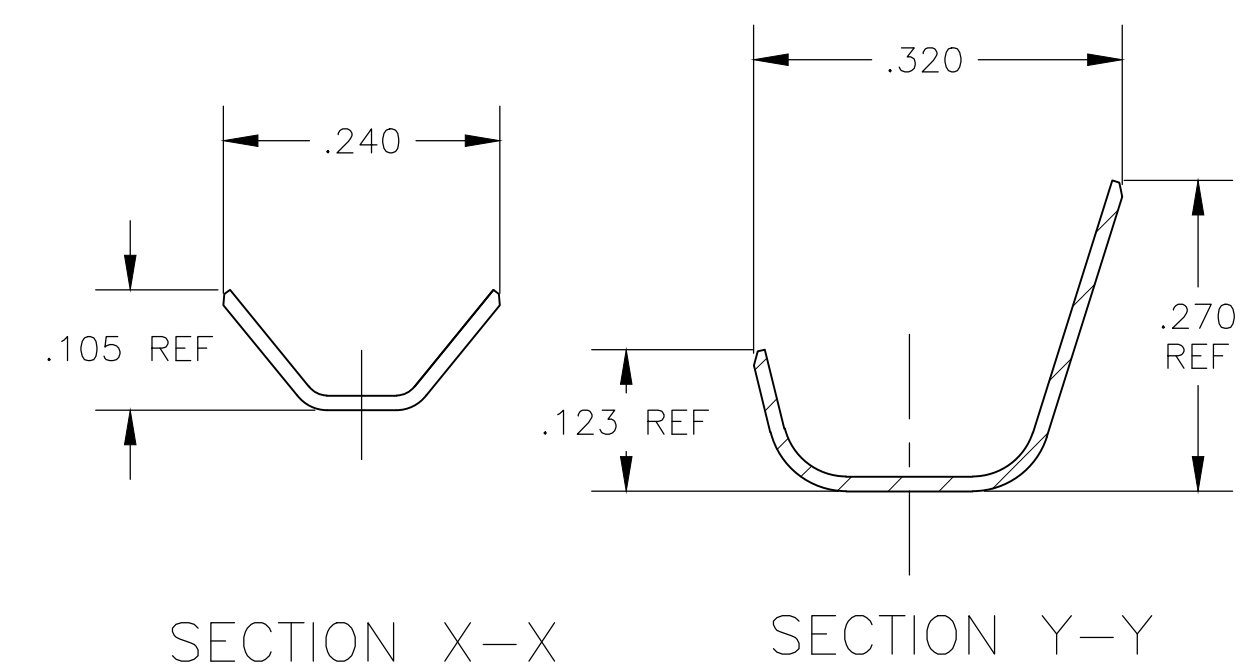


THIS DRAWING IS UNPUBLISHED. RELEASED FOR PUBLICATION  
 © COPYRIGHT - By - ALL RIGHTS RESERVED.

LOC	DIST	REVISIONS			
P	LTR	DESCRIPTION	DATE	DWN	APVD
AF	50	J1	REVISED PER ECR-19-018062	10DEC2019	SS TD



- 1 ALTERNATIVE HOUSING FORM
- 2 WIRE SIZES & COMBINATIONS: #18, #16, #14, (2)#20, (2)#18
- 3 INSULATION RANGE IS .110-.150 DIA OR TWO AT .110 MAX DIA.
- 4 MATERIAL;  
 TERMINAL: BRASS, FINISH SEE TABLE  
 HOUSING: 6/6 NYLON, NATURAL COLOR ( WHITE )
- 5 FITS .187 X .032 THK FASTON TAB
- 6 OBSOLETE PARTS



THIS DRAWING IS A CONTROLLED DOCUMENT.		DWN	JR RUTH	30JUL03
DIMENSIONS: INCHES		CHK	J HUMMEL	24JUL03
TOLERANCES UNLESS OTHERWISE SPECIFIED:		APVD	KRISTY YI	24JUL03
0 PLC	± -	NAME		
1 PLC	± -	ASSEMBLY, RECPT, FLAG, ULTRA-POD, .187 SERIES		
2 PLC	± -	18-14 AWG , VO HOUSING		
3 PLC	± .010	PRODUCT SPEC		
4 PLC	± -	APPLICATION SPEC		
ANGLES	± -	SIZE	114-2124	CAGE CODE
FINISH	SEE NOTES	WEIGHT	-	DRAWING NO
MATERIAL		A2 00779		RESTRICTED TO
SEE NOTES		C=521601		-
CUSTOMER DRAWING		SCALE	6:1	SHEET
		1 of 1		REV
				J1

.000040 MIN TIN PLATE	521601-2
NO PLATING	521601-1
TERMINAL: FINISH	PART NO.

6

