

4

3

2

1

THIS DRAWING IS UNPUBLISHED.

RELEASED FOR PUBLICATION

--

LOC

DIST

REVISIONS

© COPYRIGHT - BY TYCO ELECTRONICS CORPORATION. ALL RIGHTS RESERVED.

AF

50

P

LTR

DESCRIPTION

DATE

DWN

APVD

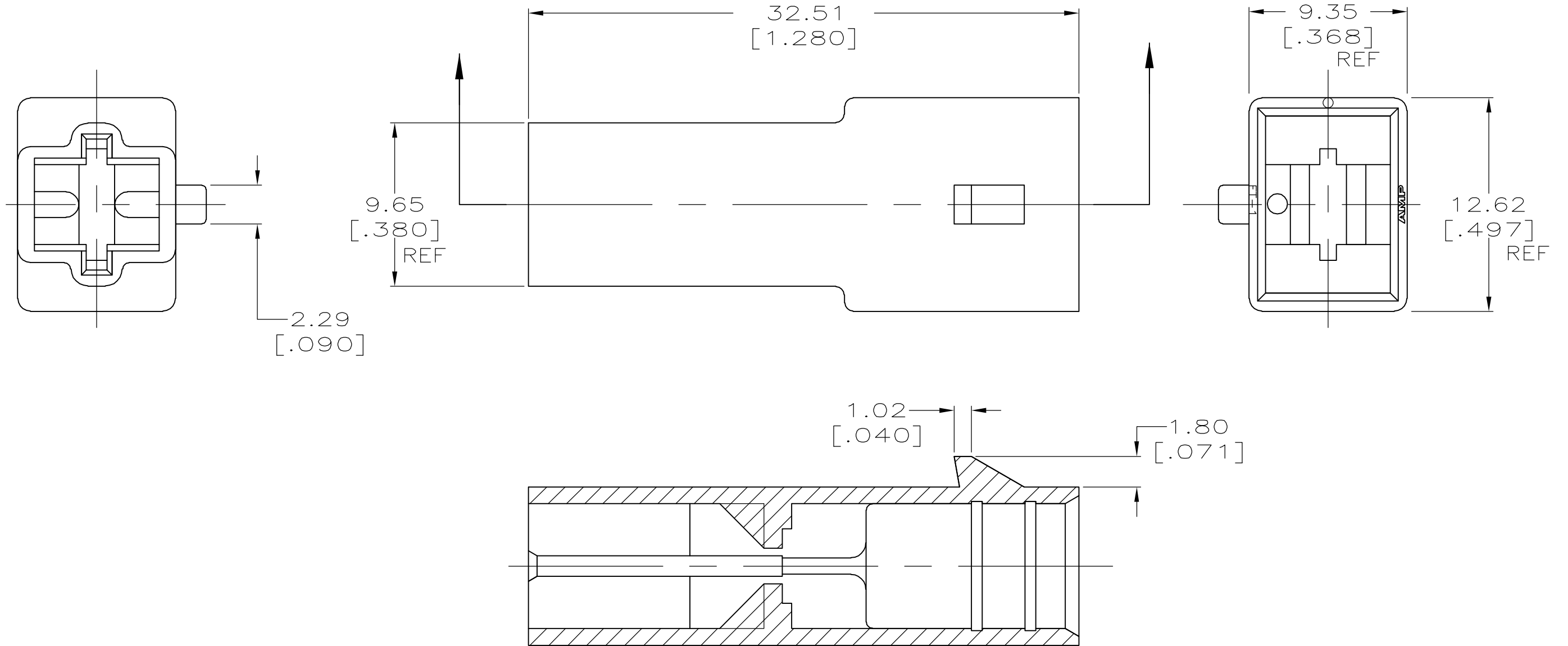
A1

REVISED PER ECR 05-014705

09NOV05

JR

KR



521744-1

PART NO.

THIS DRAWING IS A CONTROLLED DOCUMENT.

DWN JR RUTH 11MAR99

CHK MS FEHER 11MAR99

APVD S UNGER 11MAR99

PRODUCT SPEC

APPLICATION SPEC

WEIGHT -

CUSTOMER DRAWING

tyco Tyco Electronics Corporation
Electronics Harrisburg, PA 17105-3608

NAME HOUSING, TAB,
FASTIN-FASTON, 6.35 [.250] SERIES

SIZE A3 CAGE CODE 00779 DRAWING NO C-521744 RESTRICTED TO -

| DIMENSIONS: | |
|-------------|---------------------|
| mm [INCHES] | |
| | 0 PLC ± - |
| | 1 PLC ± - |
| | 2 PLC ± 0.25 [.010] |
| | 3 PLC ± - |
| | 4 PLC ± - |
| | ANGLES ± - |

| TOLERANCES UNLESS OTHERWISE SPECIFIED: | |
|--|---------------|
| 0 PLC | ± - |
| 1 PLC | ± - |
| 2 PLC | ± 0.25 [.010] |
| 3 PLC | ± - |
| 4 PLC | ± - |
| ANGLES | ± - |

MATERIAL 6/6 NYLON

FINISH NATURAL

SCALE 4:1 SHEET 1 OF 1 REV A1