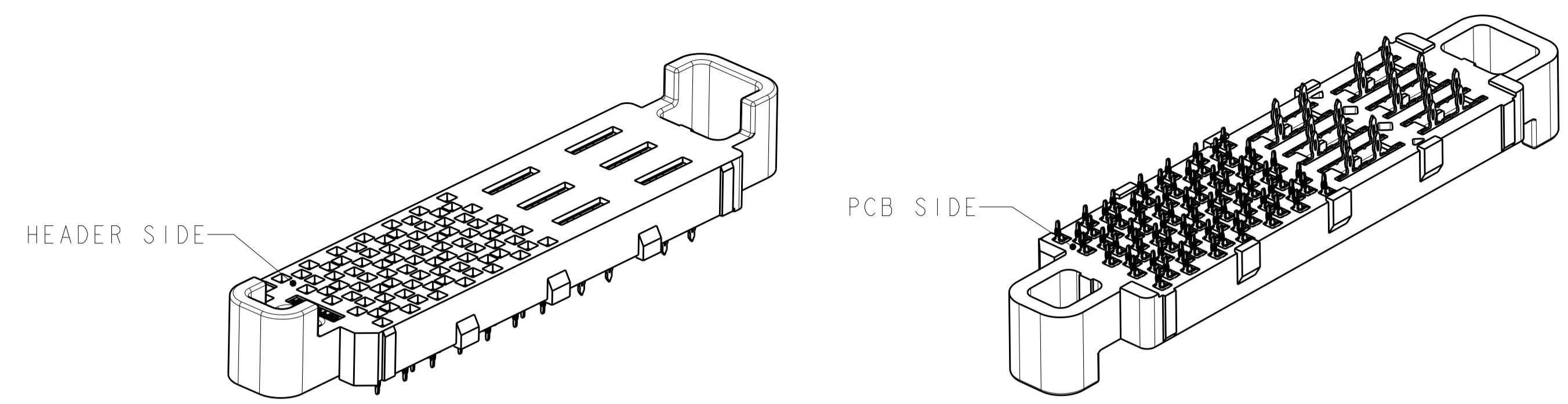
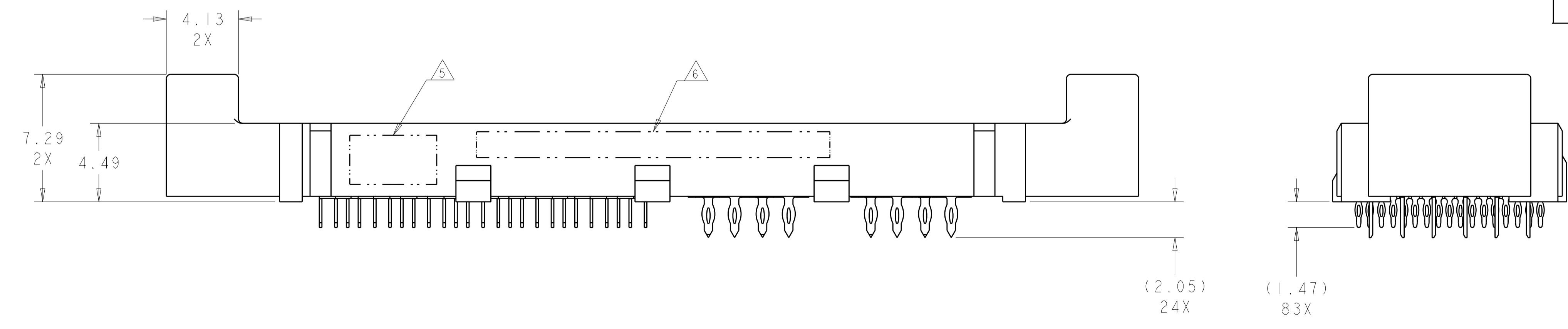
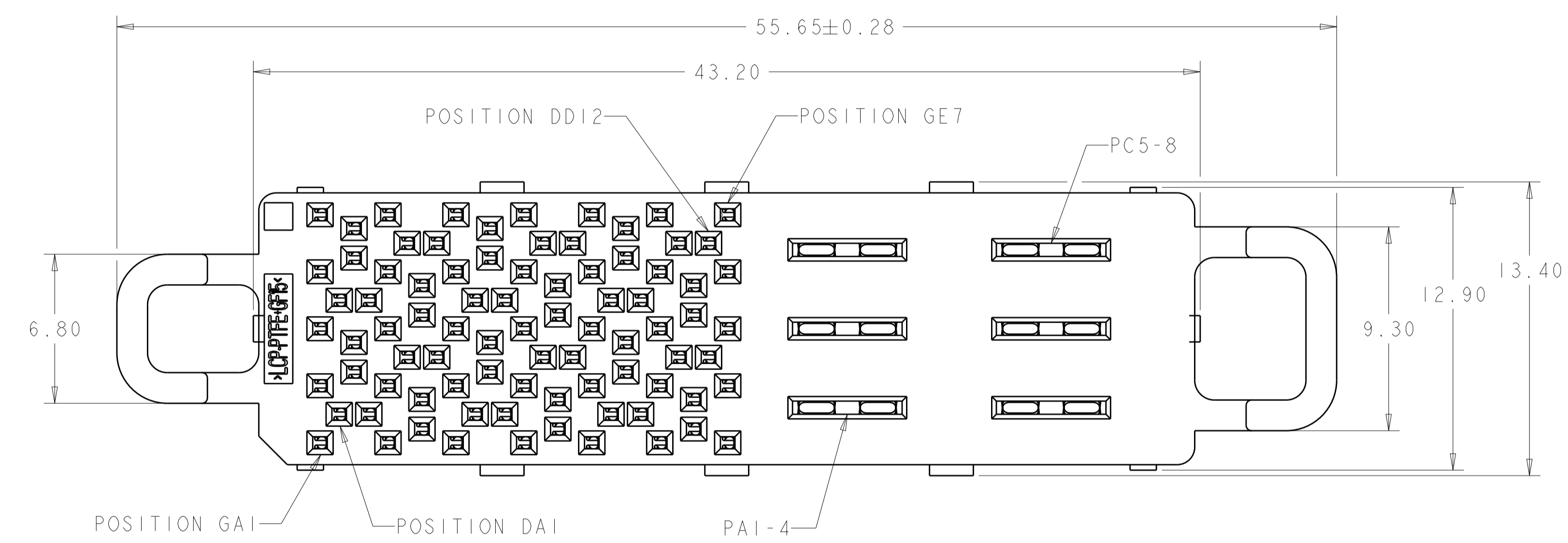


REVISIONS				
P.	LTN	DESCRIPTION	DATE	APVD
A		REVISED PER ECO-14-005178	11APR2014	AP MH



ISOMETRIC VIEWS
SCALE 3:1



- 1 MATERIAL:
HOUSING: THERMOPLASTIC, FLAMMABILITY RATING UL94 V-0
CONTACT: COPPER ALLOY
- 2. CONFORMS TO THE REQUIREMENTS OF TE PRODUCT SPECIFICATION, 108-2375; BASED ON TELCORDIA GR-1217-CORE FOR SYSTEM QUALITY LEVEL III, APPLICATIONS IN CONTROLLED ENVIRONMENTS (CENTRAL OFFICE).
SEE TE PRODUCT SPECIFICATION 108-2375 FOR TEST SEQUENCES.
- 3 ROWS GA THRU GE (SHOWN DARKENED) ARE TYPICALLY USED AS GROUNDS.
- 4 SPECIFIED POSITIONAL TOLERANCE DEFINES HOLE TO HOLE LOCATION WITHIN HOLE PATTERN. POSITIONAL TOLERANCE OF HOLE MARKS TO FIDUCIAL MARKS OR PCB DATUMS SHALL BE DEFINED BY CUSTOMER.
- 5 AREA RESERVED FOR TE CONNECTIVITY LOGO.
- 6 AREA RESERVED FOR PART NUMBER (X-XXXXXX-X) AND DATE CODE (YYWW).
- 7 USE CENTER LINES INDICATED ON PCB HOLE PATTERN TO ESTABLISH ALIGNMENT BETWEEN HEADER AND RECEPTACLE BOARDS.
- 8 PLATED THROUGH HOLE REQUIREMENTS - SIGNAL:
HOLE SIZE PRIOR TO PLATING = $\varnothing 0.420 \pm 0.013$
COPPER PLATING THICKNESS = 0.038 ± 0.013
CALCULATED FINISHED HOLE SIZE = $\varnothing 0.344 \pm 0.039$
THESE DIMENSIONS APPLY TO THE TOP 1.25mm OF THE PCB THICKNESS FROM THE CONNECTOR MOUNTING SIDE.
- 9 PLATED THROUGH HOLE REQUIREMENTS - POWER:
HOLE SIZE PRIOR TO PLATING = $\varnothing 0.700 \pm 0.025$
COPPER PLATING THICKNESS = 0.038 ± 0.013
CALCULATED FINISHED HOLE SIZE = $\varnothing 0.624 \pm 0.051$
THESE DIMENSIONS APPLY TO THE TOP 1.50mm OF THE PCB THICKNESS FROM THE CONNECTOR MOUNTING SIDE.

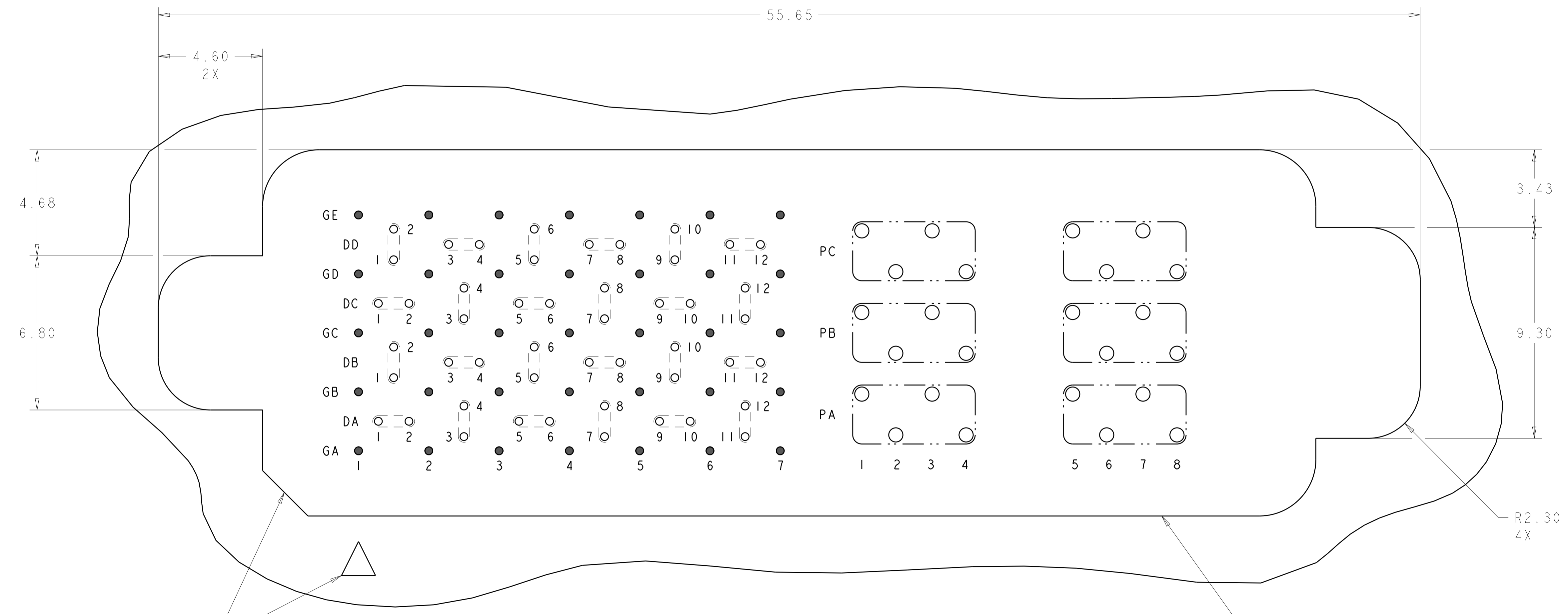
**SIZE 2 HALF WIDE W/GUIDE POSTS *
 24 DIFFERENTIAL PAIRS + GROUNDS
 83 TOTAL SIGNAL CONTACTS
 6 POWER CONTACTS**

* SIZE 1 AND SIZE 3 ARE ALSO AVAILABLE

THIS PRODUCT HAS NOT COMPLETED VALIDATION AND QUALIFICATION TESTING

THIS DRAWING IS A CONTROLLED DOCUMENT.		OWN: HAMNER 03JUN2011	DATE: 03JUN2011
DIMENSIONS: mm		CHK: D. TROUT 07JUN2011	DATE: 07JUN2011
TOLERANCES UNLESS OTHERWISE SPECIFIED:		APVD: J. FEDDER 07JUN2011	DATE: 07JUN2011
0 PLC	±	NAME: RECEPTACLE ASSEMBLY, HALF-WIDE, 24/83/6P, STRADA MESA MEZZANINE CONNECTOR	
1 PLC	±0.13	PRODUCT SPEC: 108-2375	
2 PLC	±0.013	APPLICATION SPEC: 114-13249	
3 PLC	±	SIZE: CAGE CODE: DRAWING NO: A100779C=2180761	
4 PLC	±	RESTRICTED TO: -	
ANGLES	±	WEIGHT: -	
FINISH	-	Customer Drawing	
SCALE: 6:1		SHEET 1 OF 3	
REV: A			


REVISIONS				
P.	LTN.	DESCRIPTION	DATE	OWN. APVD.
-	-	SEE SHEET 1	-	-



AI CORNER INDICATORS

PCB LAYOUT AND PIN IDENTIFICATION 
 SHOWN FROM CONNECTOR SIDE
 SCALE 9:1

MATED CONNECTOR OUTLINE
 SEE SHEET 3 FOR LOCATION
 TO HOLES

THIS DRAWING IS A CONTROLLED DOCUMENT.		OWN: HAMNER 03JUN2011	 TE Connectivity
DIMENSIONS: mm		CHK: D. TROUT 07JUN2011	
TOLERANCES UNLESS OTHERWISE SPECIFIED:		APVD: J. FEEDER 07JUN2011	NAME: RECEPTACLE ASSEMBLY, HALF-WIDE, 24/83/6P, STRADA MESA MEZZANINE CONNECTOR
0 PLC ±		PRODUCT SPEC: 108-2375	SIZE: 114-13249
1 PLC ±0.13		APPLICATION SPEC:	RESTRICTED TO:
2 PLC ±0.013		WEIGHT:	A100779C=2180761
3 PLC ±		Customer Drawing	SCALE 6:1 SHEET 2 OF 3 REV A
4 PLC ±			
ANGLES ±1			
FINISH:			

