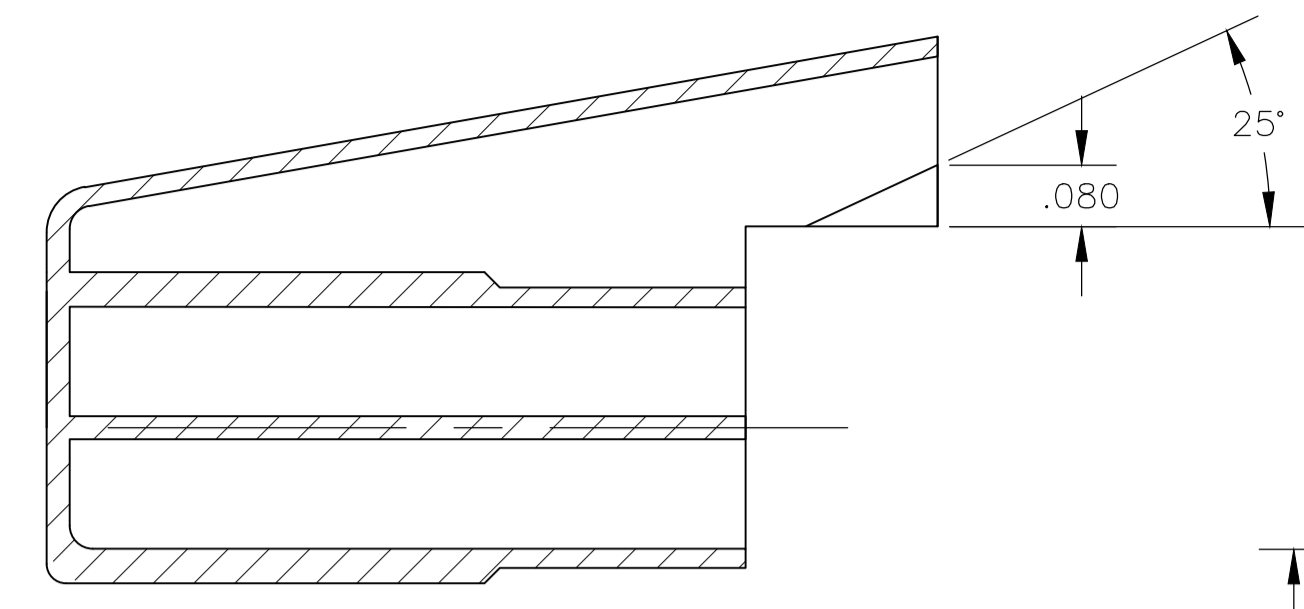
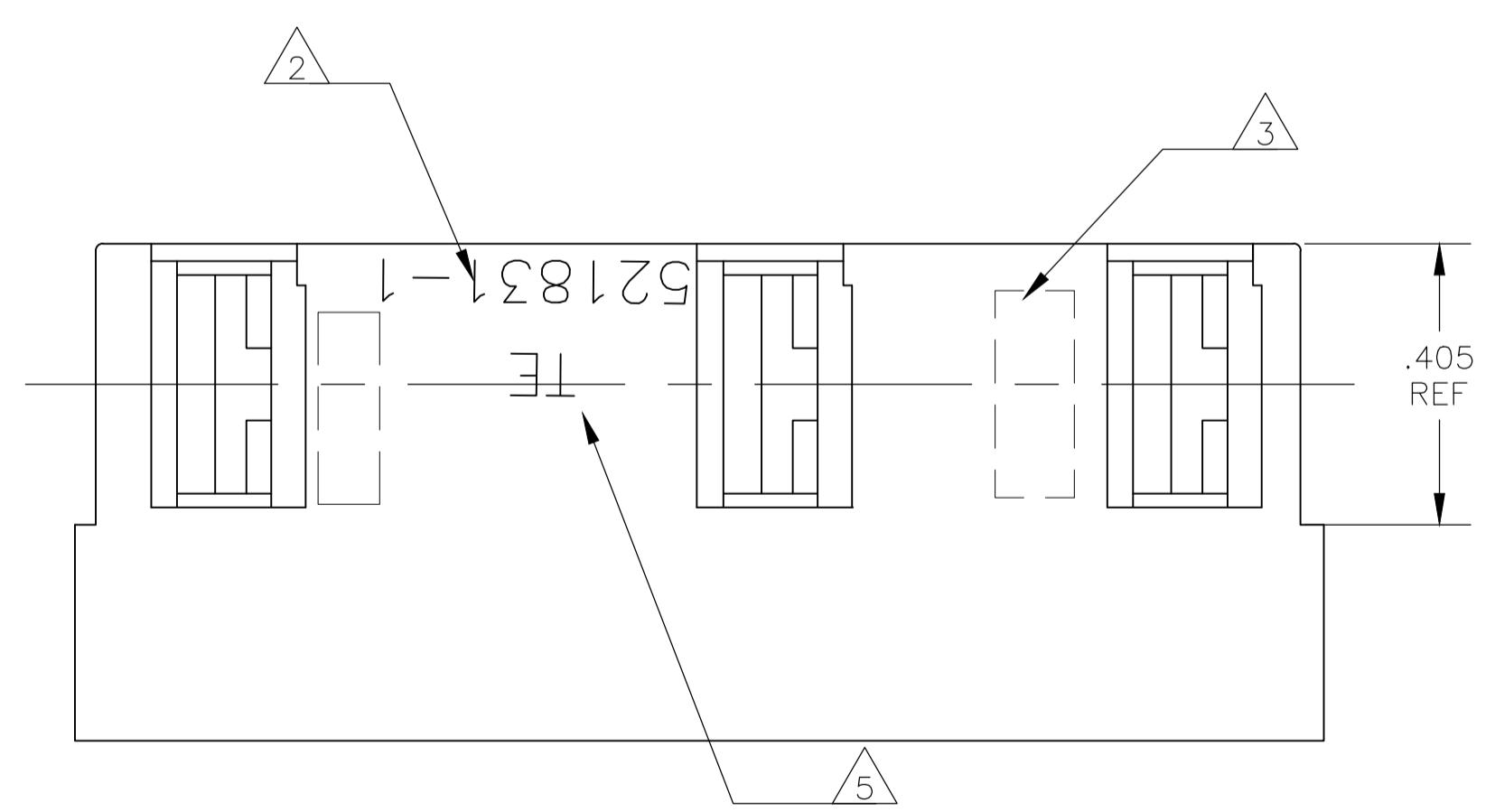
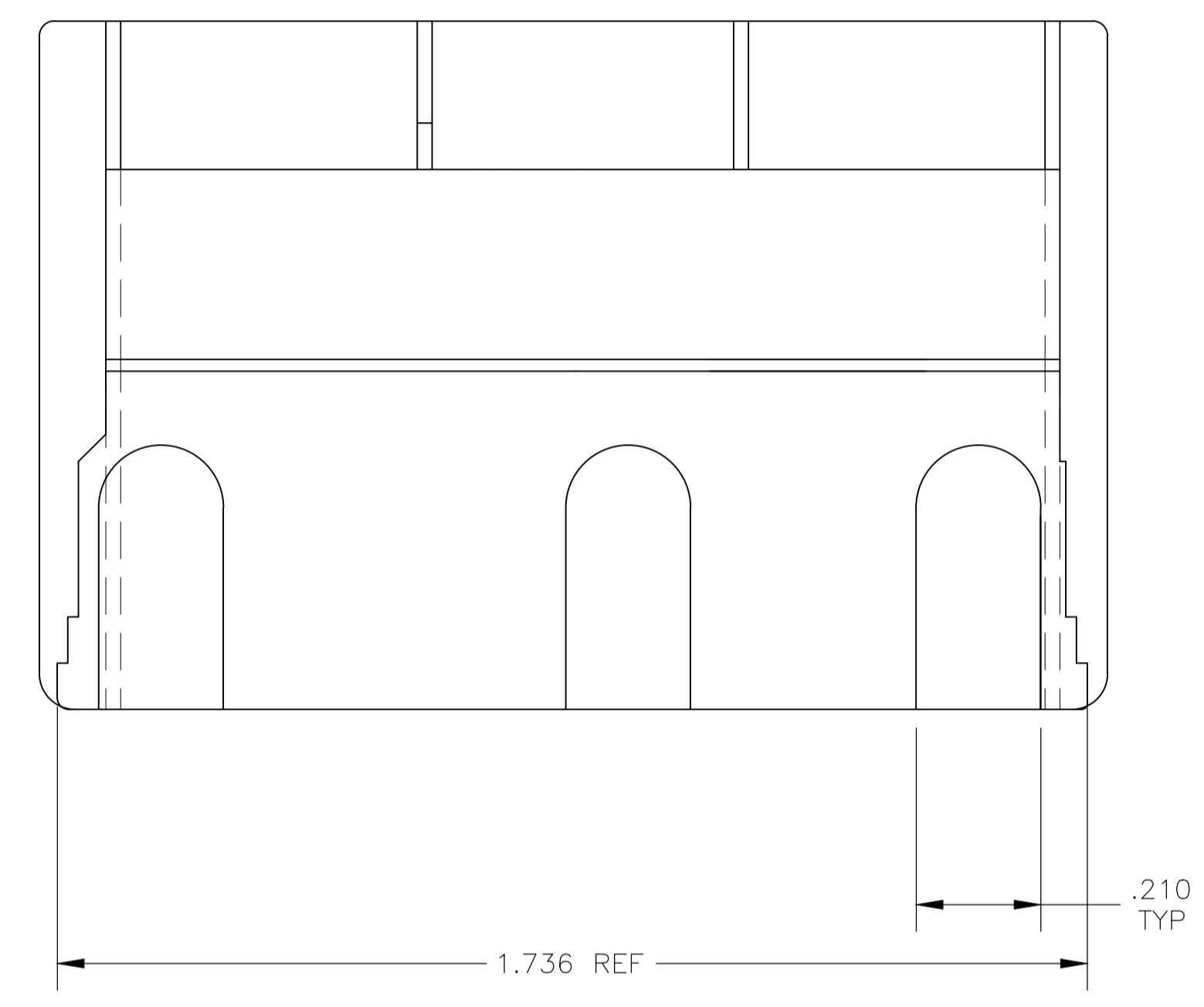
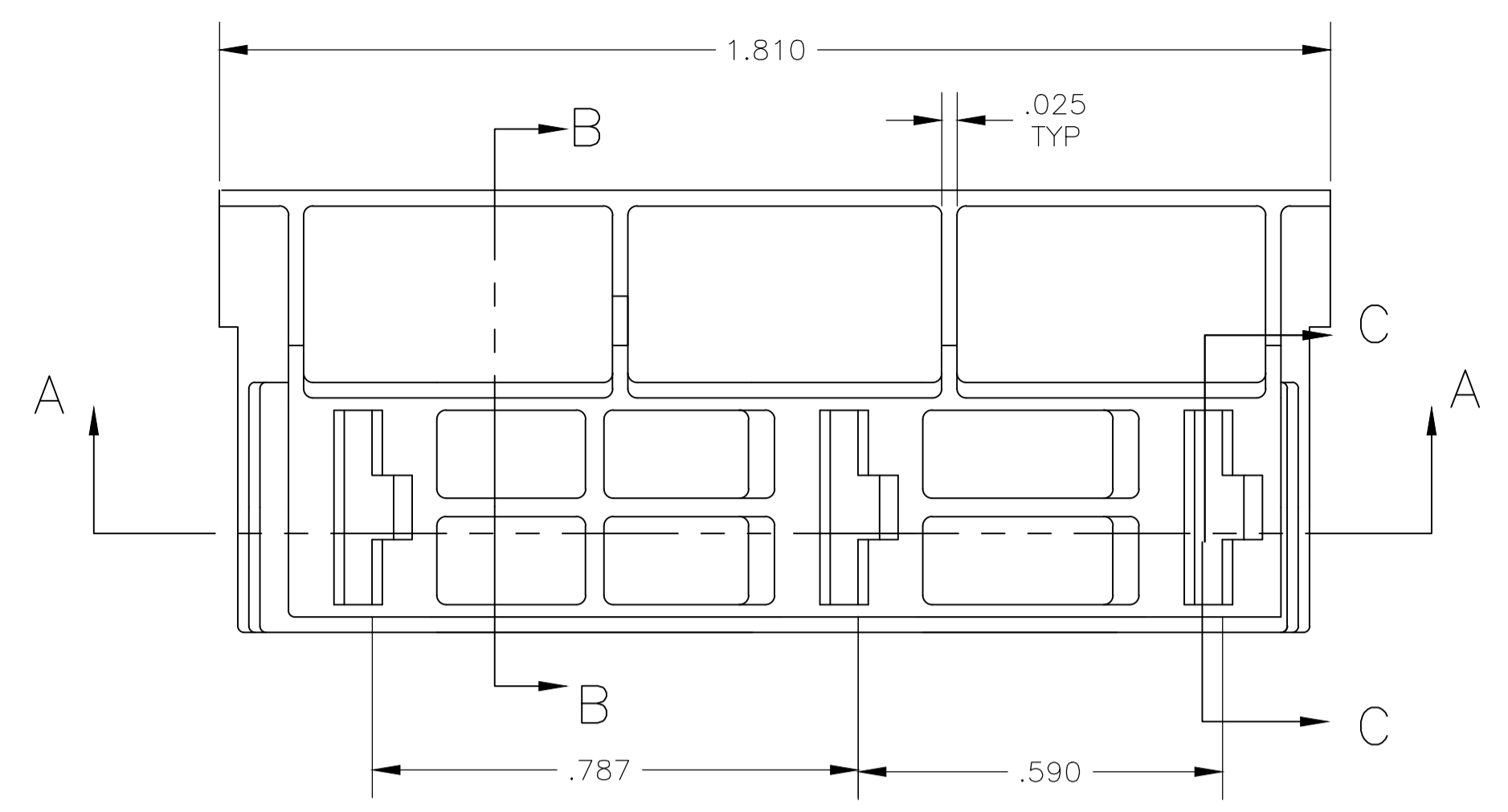
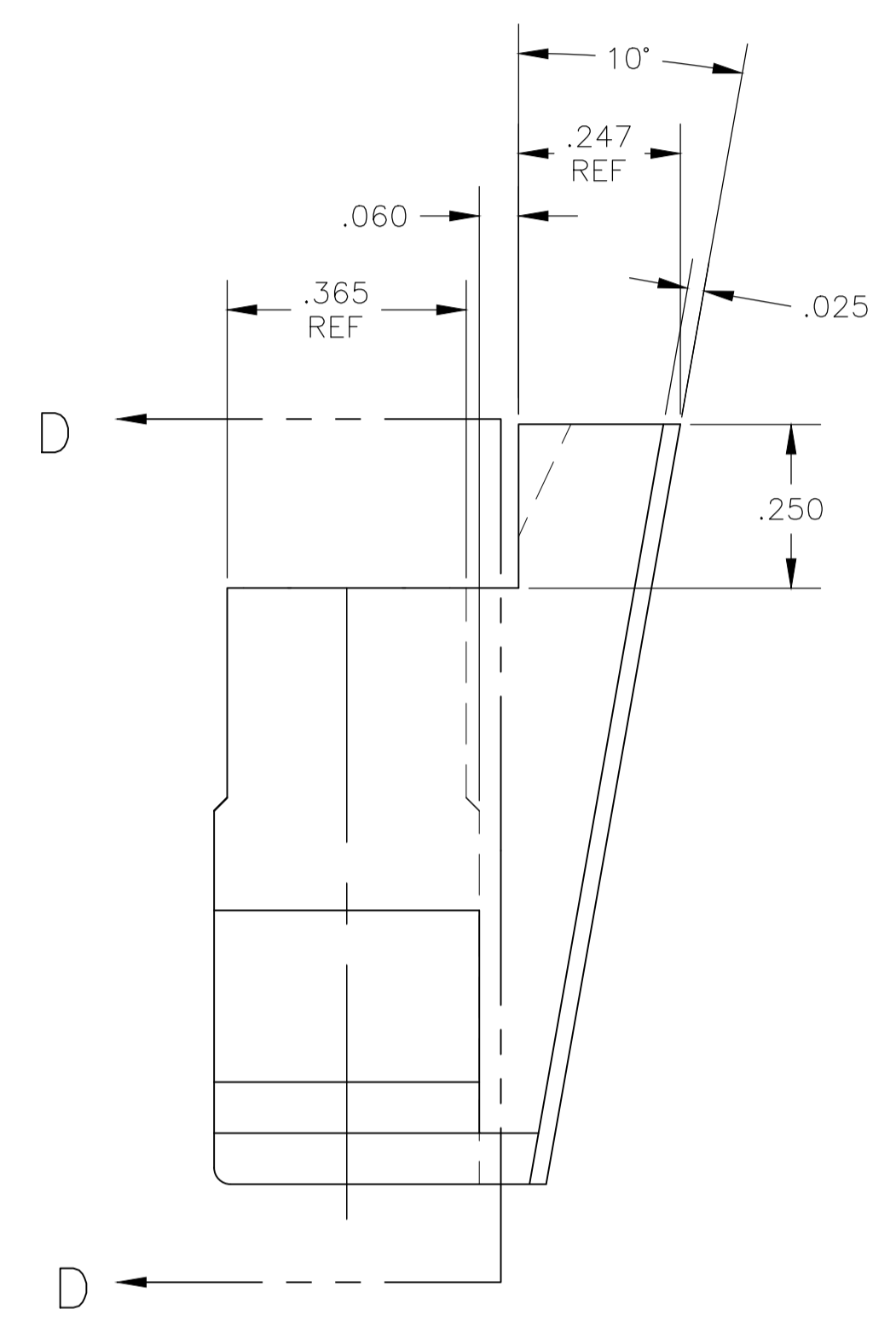


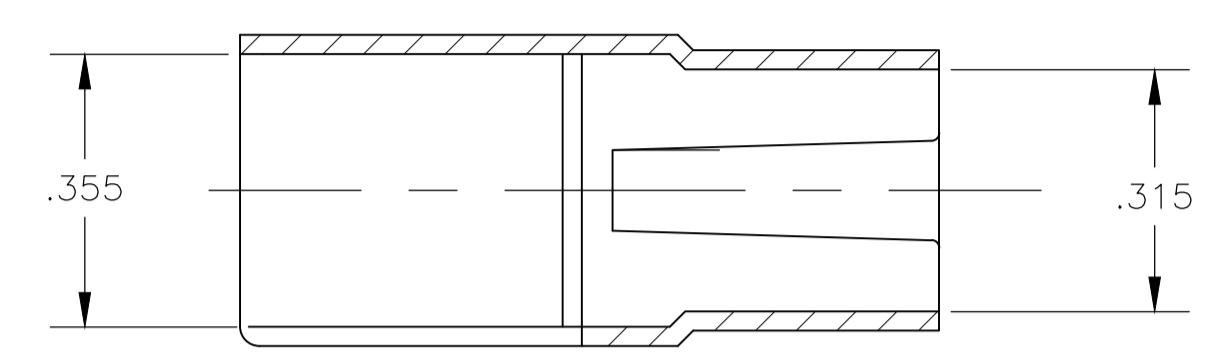
REVISIONS					
P	LTR	DESCRIPTION	DATE	DMN	APVD
D1		REVISED PER ECO-19-006194	17APR19	RS	LB



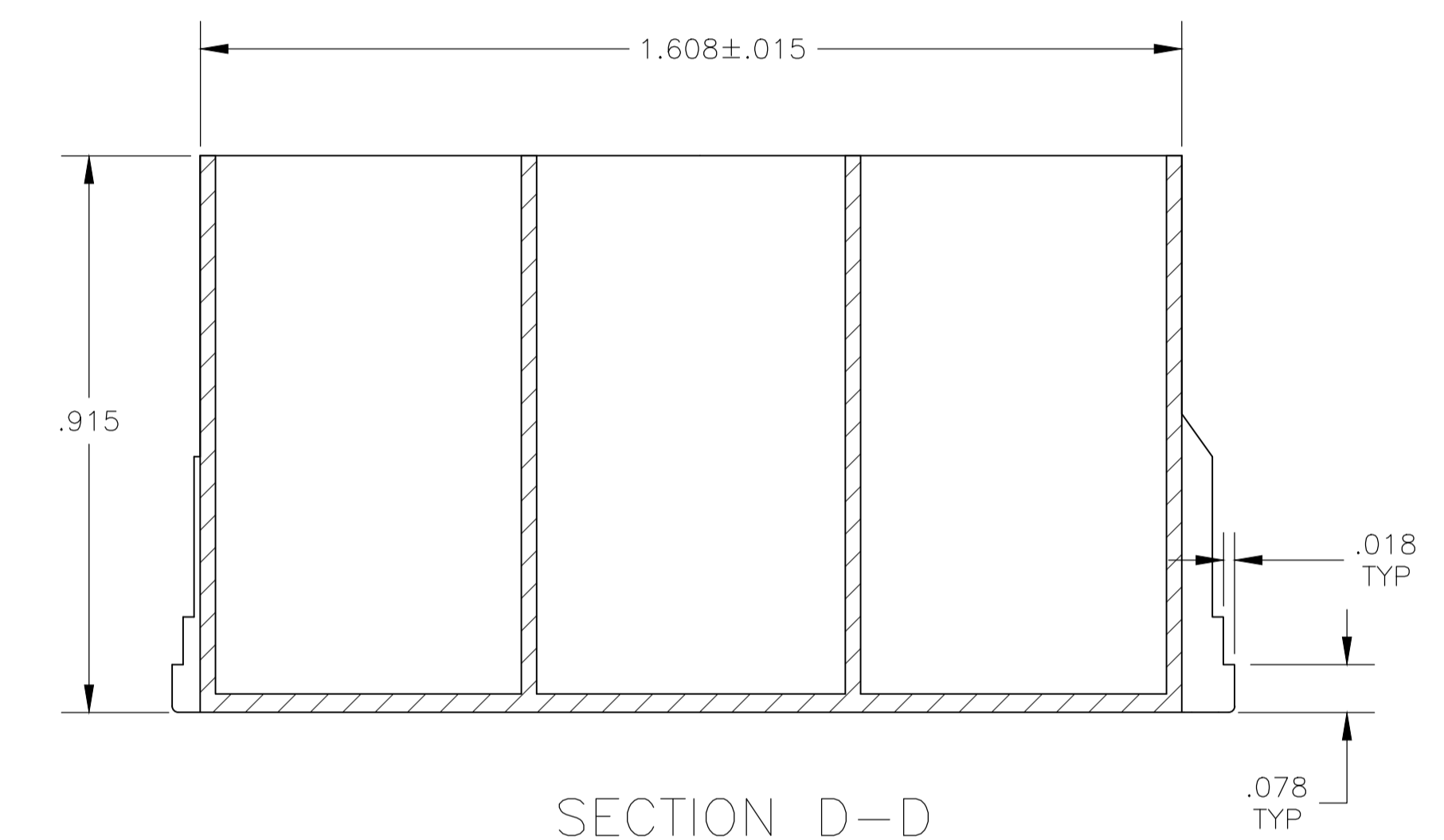
SECTION B-B



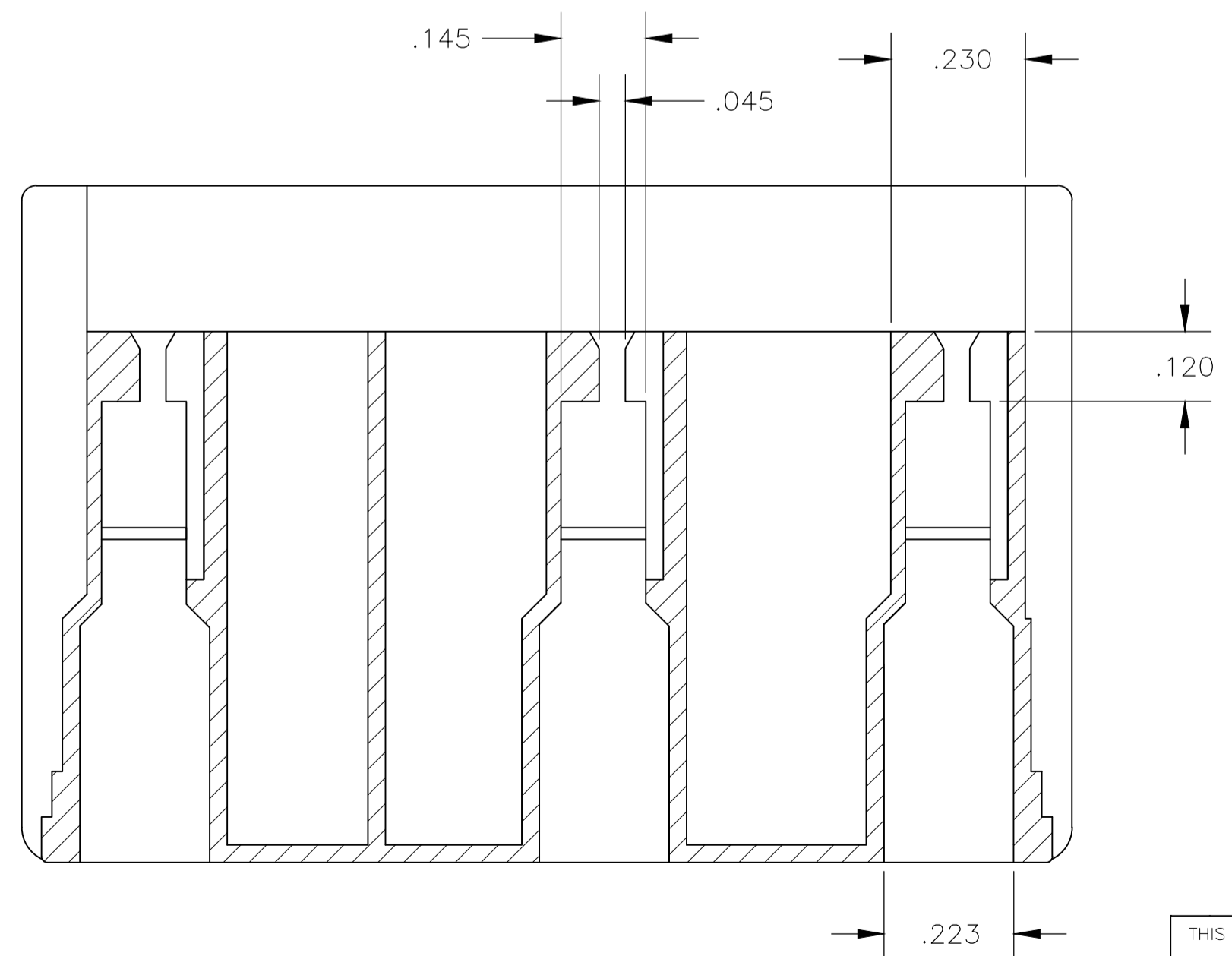
SECTION A-A



SECTION C-C



SECTION D-D



- 1 ALL 3 INTERNAL CAVITY ARE IDENTICAL.
- 2 TE LOGO, SIZE AND LOCATION APPROX AS SHOWN
- 3 DFE SYMBOL >PA66/6<, LOCATED APPROX AS SHOWN.
- 4 PART TO BE USED WITH TERMINAL 1742291-1
- 5 TE P/N, LOCATED APPROX AS SHOWN

521831-1  
PART NO

THIS DRAWING IS A CONTROLLED DOCUMENT.		DIN jr_ruth 28JUN05		TE Connectivity	
DIMENSIONS: INCHES		TOLERANCES UNLESS OTHERWISE SPECIFIED:			
0 PLC ± - 1 PLC ± - 2 PLC ± - 3 PLC ± .010 4 PLC ± - ANGLES ± 1°		APVD K RANDOLPH 28JUN05 NAME APPLICATION SPEC		HOUSING, RECEPTACLE, FASTIN-FASTON, .250 SERIES, 3 POSITION	
MATERIAL 66/6 NYLON, VD		FINISH COLOR - WHITE		SIZE A1 CAGE CODE 00779 DRAWING NO C=521831 WEIGHT - CUSTOMER DRAWING	
				SCALE 1:1 SHEET 1 OF 1 REV D1	