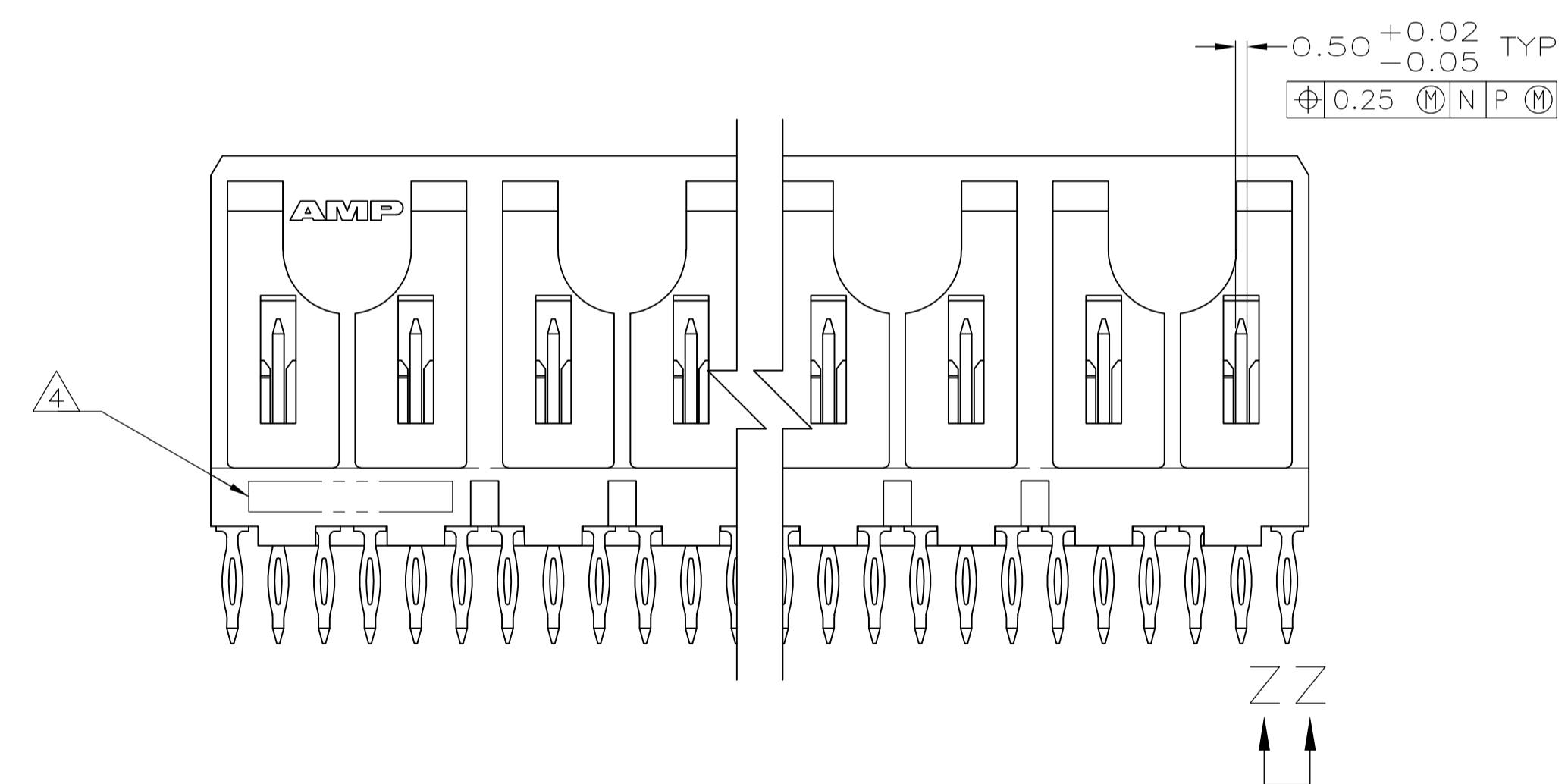
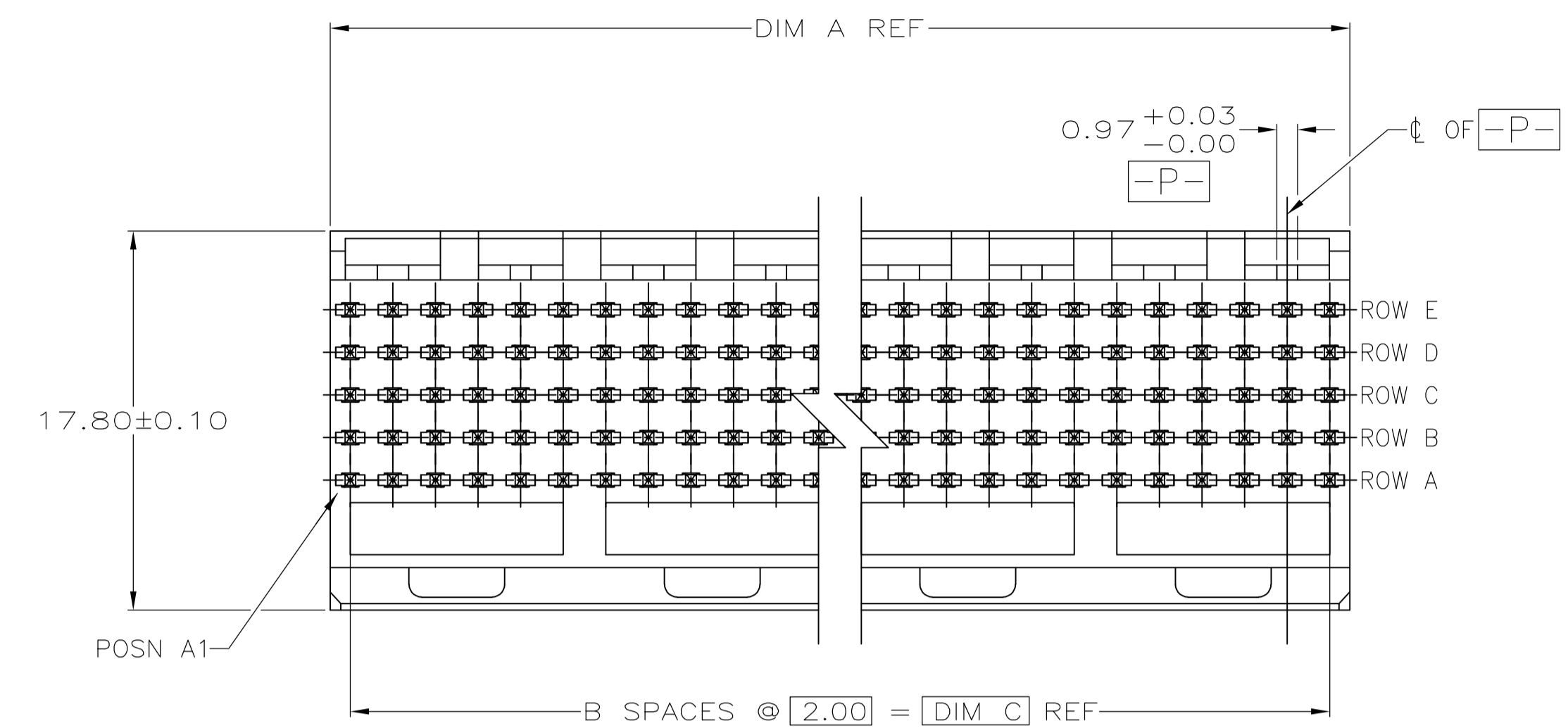
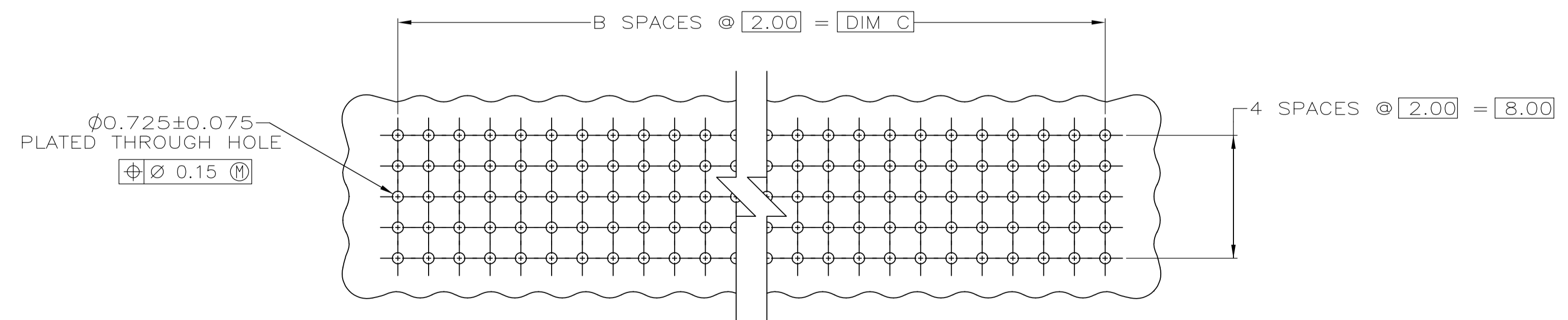
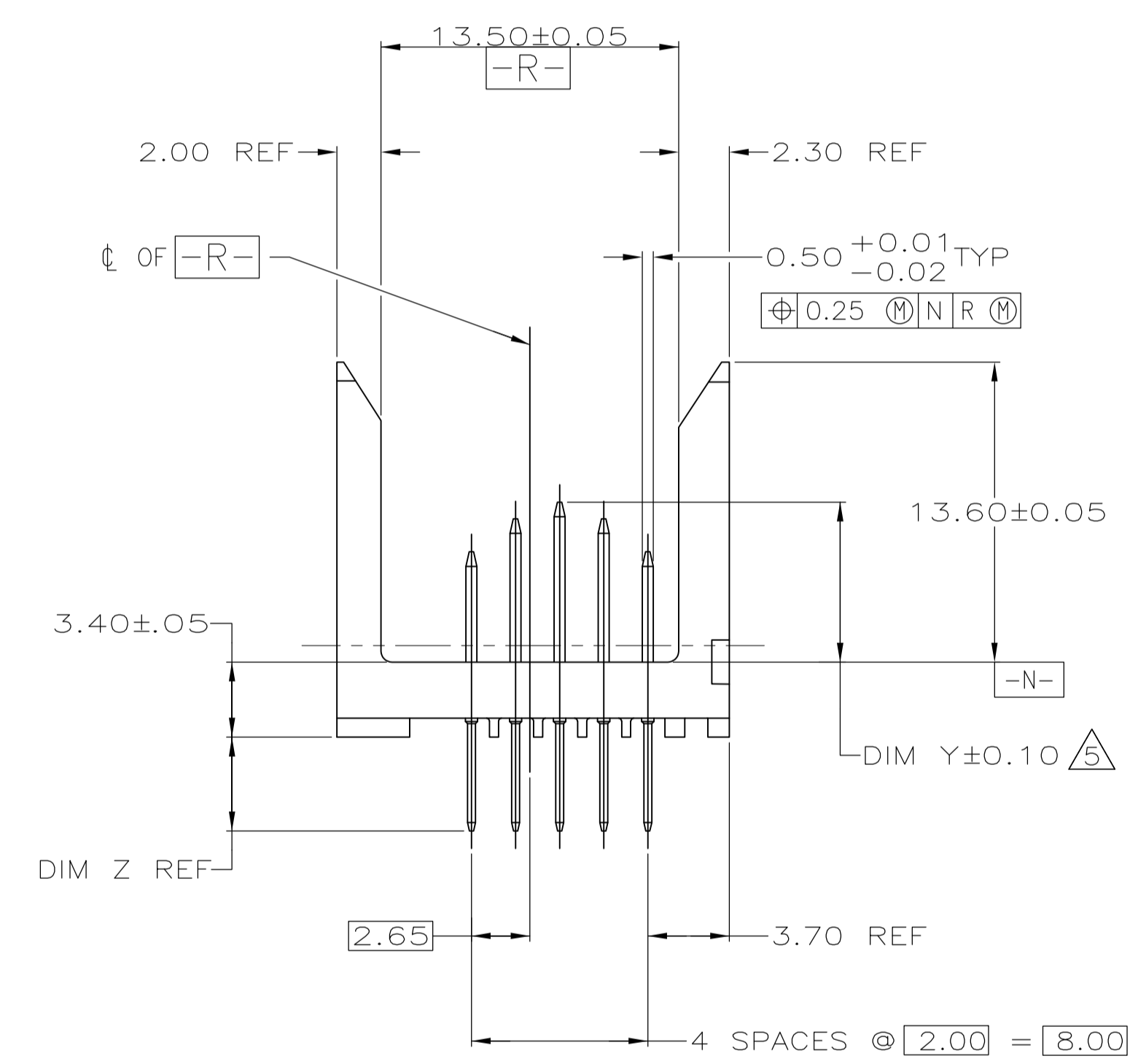


LOC		DIST		REVISIONS			
P	LTR	DATE	DMN	APVD			
0		RELEASED PER EC 0512-0317-04	24NOV04	BM	RW		
01		REVISED PER ECO-09-024606	30OCT09	KK	AEG		



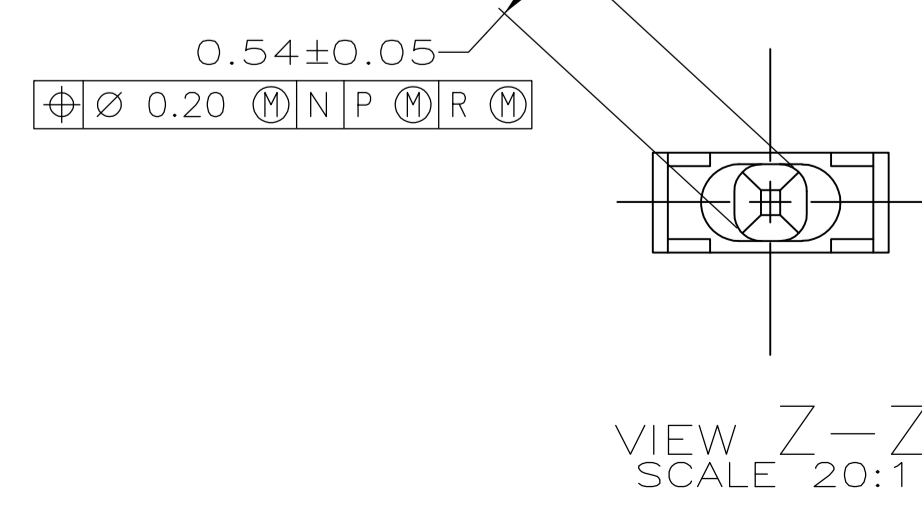
- △ HOUSING MATERIAL: LIQUID CRYSTAL POLYMER. COLOR: NATURAL.
- △ CONTACT MATERIAL: PHOSPHOR BRONZE.
- △ CONTACT FINISH:(B)  
UNDERPLATE (ENTIRE CONTACT):  
0.00127 MIN NICKEL PER SAE-AMS-QQ-N-290  
ON MATING SURFACES:  
CONFORMS TO ALL TESTING SPECIFIED FOR TELCORDIA UNCONTROLLED ENVIRONMENT.  
ON LEADS:  
0.0006 MIN MATTE TIN PER ASTM B 545 OVER UNDERPLATE.  
LUBRICATION (MIN MATING SURFACES):  
SURFACE CONDITIONER AFTER PLATING.
- △ PART MARKING, LOCATED APPROXIMATELY AS SHOWN.
- △ DIMENSION APPLIES WHEN SEATED ON PRINTED CIRCUIT BOARD.
- △ OBSOLETE PARTS: OBSOLETE CIS STREAMLINING PER D.RENAUD/D.SINISI



RECOMMENDED CIRCUIT PATTERN (COMPONENT SIDE)

E	A	A	A	A	A	A	A	A	A	A	A	A	A	A	A	A	A	A	E
D	J	J	J	J	J	J	J	J	J	J	J	J	J	J	J	J	J	J	D
C	N	N	N	N	N	N	N	N	N	N	N	N	N	N	N	N	N	N	C
B	J	J	J	J	J	J	J	J	J	J	J	J	J	J	J	J	J	J	B
A	A	A	A	A	A	A	A	A	A	A	A	A	A	A	A	A	A	A	A
ROW 1																			

CONTACT LOAD CHART



X	NUMBER OF COLUMNS	DIM C	B	DIM A	NUMBER OF SIGNAL POSITIONS	PART NUMBER
48	94.00	47	95.88	240	5223058-8	
36	70.00	35	71.88	180	5223058-6	
24	46.00	23	47.88	120	5223058-4	
18	34.00	17	35.88	90	5223058-3	
12	22.00	11	23.88	60	5223058-2	

CONTACT LETTER	DIM Y	DIM Z
N	7.25	4.25
J	6.50	4.25
A	5.00	4.25

THIS DRAWING IS A CONTROLLED DOCUMENT.

DIMENSIONS: mm	TOLERANCES UNLESS OTHERWISE SPECIFIED:	0 PLC ± -	1 PLC ± -	2 PLC ± 0.13	3 PLC ± -	4 PLC ± -	ANGLES ± -
----------------	--	-----------	-----------	--------------	-----------	-----------	------------

MATERIAL: △ 1 △ 2 △ 3 FINISH: △ 3

APPROVED: R. WERTZ	DATE: 24NOV04	NAME: R. WERTZ	PRODUCT SPEC: 24NOV04
APPROVED: R. WERTZ	DATE: 24NOV04	NAME: R. WERTZ	PRODUCT SPEC: 24NOV04

THIS DRAWING IS A CONTROLLED DOCUMENT.

APPROVED: R. WERTZ DATE: 24NOV04 NAME: R. WERTZ PRODUCT SPEC: 24NOV04

APPLICATION SPEC: ---

SIZE: A1 CASE CODE: 00779 DRAWING NO: 5223058 RESTRICTED TO: ---

WEIGHT: ---

CUSTOMER DRAWING SCALE: 4:1 SHEET: 1 OF 2 REV: 01

N	7.25	4.25
J	6.50	4.25
A	5.00	4.25
CONTACT LETTER	DIM Y	DIM Z

E	A	A	A	A	A	A	A	A	A	A	A	A	E	5223058-2
D	J	J	J	J	J	J	J	J	J	J	J	J	D	
C	N	N	N	N	N	N	N	N	N	N	N	N	C	
B	J	J	J	J	J	J	J	J	J	J	J	J	B	
A	A	A	A	A	A	A	A	A	A	A	A	A	A	
ROW	1	2	3	4	5	6	7	8	9	10	11	12	ROW	PART NUMBER
CONTACT LOAD CHART														

E	A	A	A	A	A	A	A	A	A	A	A	A	A	A	A	A	A	E	5223058-3	
D	J	J	J	J	J	J	J	J	J	J	J	J	J	J	J	J	J	D		
C	N	N	N	N	N	N	N	N	N	N	N	N	N	N	N	N	N	C		
B	J	J	J	J	J	J	J	J	J	J	J	J	J	J	J	J	J	B		
A	A	A	A	A	A	A	A	A	A	A	A	A	A	A	A	A	A	A		
ROW	1	2	3	4	5	6	7	8	9	10	11	12	13	14	15	16	17	18	ROW	PART NUMBER
CONTACT LOAD CHART																				

E	A	A	A	A	A	A	A	A	A	A	A	A	A	A	A	A	A	A	A	E	5223058-4				
D	J	J	J	J	J	J	J	J	J	J	J	J	J	J	J	J	J	J	J	D					
C	N	N	N	N	N	N	N	N	N	N	N	N	N	N	N	N	N	N	N	C					
B	J	J	J	J	J	J	J	J	J	J	J	J	J	J	J	J	J	J	J	B					
A	A	A	A	A	A	A	A	A	A	A	A	A	A	A	A	A	A	A	A	A					
ROW	1	2	3	4	5	6	7	8	9	10	11	12	13	14	15	16	17	18	19	20	22	23	24	ROW	PART NUMBER
CONTACT LOAD CHART																									

E	A	A	A	A	A	A	A	A	A	A	A	A	A	A	A	A	A	A	A	A	A	A	A	A	A	A	A	A	A	A	A	A	A	A	A	E	5223058-6		
D	J	J	J	J	J	J	J	J	J	J	J	J	J	J	J	J	J	J	J	J	J	J	J	J	J	J	J	J	J	J	J	J	J	J	J	D			
C	N	N	N	N	N	N	N	N	N	N	N	N	N	N	N	N	N	N	N	N	N	N	N	N	N	N	N	N	N	N	N	N	N	N	N	C			
B	J	J	J	J	J	J	J	J	J	J	J	J	J	J	J	J	J	J	J	J	J	J	J	J	J	J	J	J	J	J	J	J	J	J	J	B			
A	A	A	A	A	A	A	A	A	A	A	A	A	A	A	A	A	A	A	A	A	A	A	A	A	A	A	A	A	A	A	A	A	A	A	A	A			
ROW	1	2	3	4	5	6	7	8	9	10	11	12	13	14	15	16	17	18	19	20	21	22	23	24	25	26	27	28	29	30	31	32	33	34	35	36	ROW	PART NUMBER	
CONTACT LOAD CHART																																							

E	A	A	A	A	A	A	A	A	A	A	A	A	A	A	A	A	A	A	A	A	A	A	A	A	A	A	A	A	A	A	A	A	A	A	A	A	A	A	E	5223058-8										
D	J	J	J	J	J	J	J	J	J	J	J	J	J	J	J	J	J	J	J	J	J	J	J	J	J	J	J	J	J	J	J	J	J	J	J	J	J	J	D											
C	N	N	N	N	N	N	N	N	N	N	N	N	N	N	N	N	N	N	N	N	N	N	N	N	N	N	N	N	N	N	N	N	N	N	N	N	N	N	C											
B	J	J	J	J	J	J	J	J	J	J	J	J	J	J	J	J	J	J	J	J	J	J	J	J	J	J	J	J	J	J	J	J	J	J	J	J	J	J	B											
A	A	A	A	A	A	A	A	A	A	A	A	A	A	A	A	A	A	A	A	A	A	A	A	A	A	A	A	A	A	A	A	A	A	A	A	A	A	A	A											
ROW	1	2	3	4	5	6	7	8	9	10	11	12	13	14	15	16	17	18	19	20	21	22	23	24	25	26	27	28	29	30	31	32	33	34	35	36	37	38	39	40	41	42	43	44	45	46	47	48	ROW	PART NUMBER
CONTACT LOAD CHART																																																		

THIS DRAWING IS A CONTROLLED DOCUMENT.		DIN B MCMMASTER 24NOV04		Tyco Electronics Corporation Harrisburg, Pa 17105-3608	
DIMENSIONS: mm		CIK R WERTZ 24NOV04		NAME R WERTZ 24NOV04	
TOLERANCES UNLESS OTHERWISE SPECIFIED:		PRODUCT SPEC			
0. PLC ± -		APPLICATION SPEC			
1. PLC ± -		SIZE			
2. PLC ± 0.13		CAGE CODE			
3. PLC ± -		DRAWING NO			
4. PLC ± -		RESTRICTED TO			
ANGLES		WEIGHT			
FINISH		A1 00779 C=5223058			
MATERIAL		CUSTOMER DRAWING			
SCALE 4:1		SHEET 2 OF 2		REV 01	