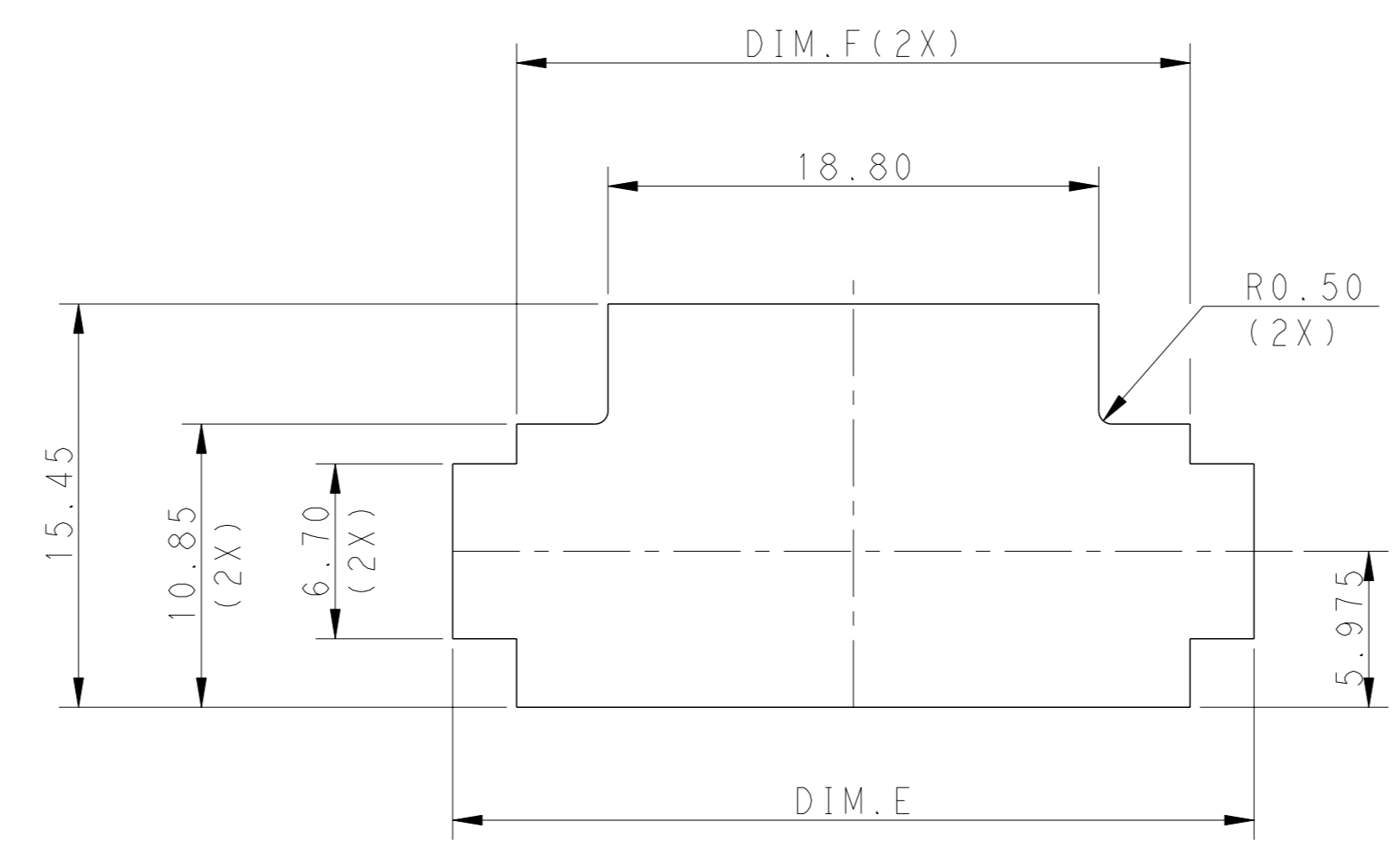
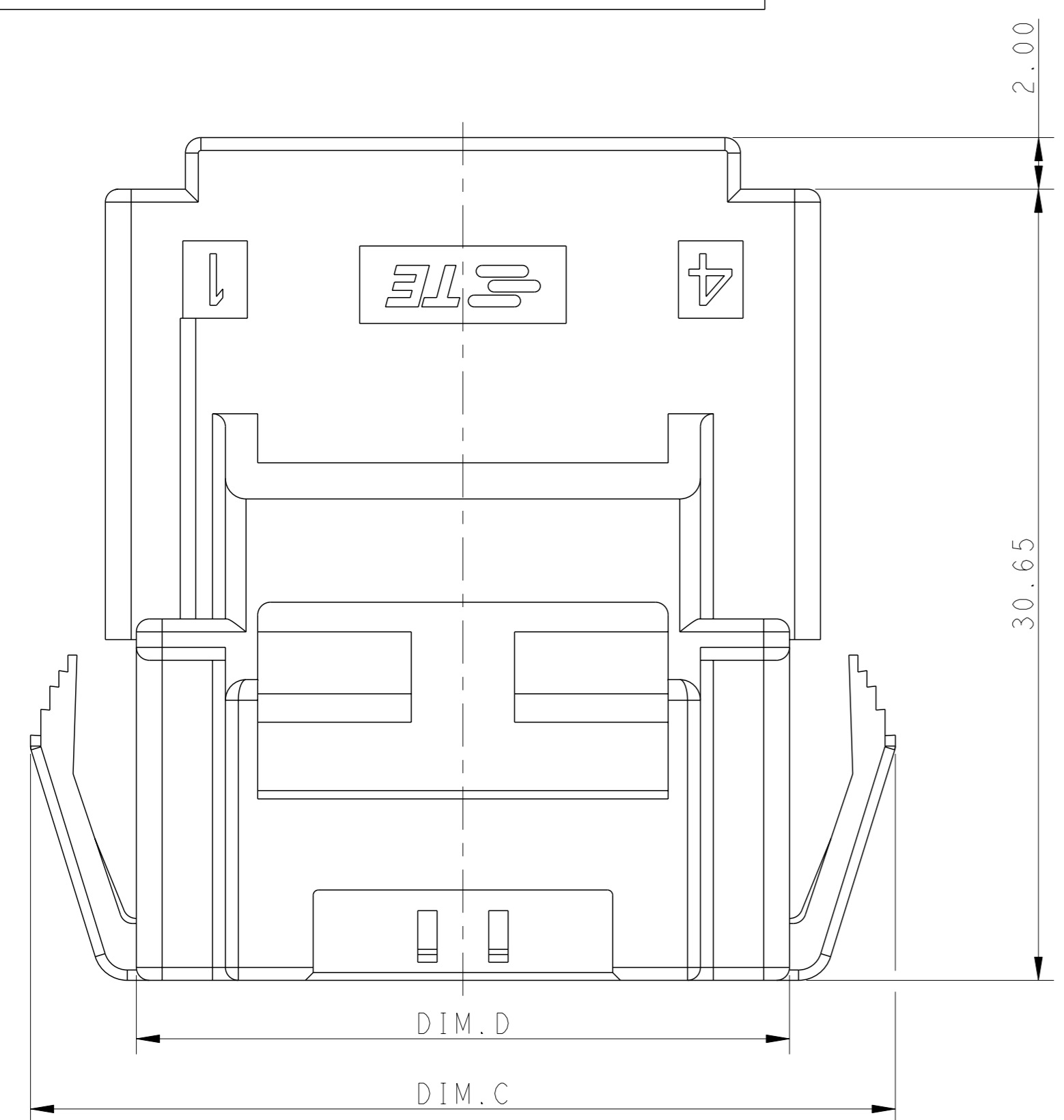


REVISIONS					
#	LY#	DESCRIPTION	DATE	OWN	APVD
C		REVISED PER ECR-16-003314	18JUL2016	BW	GJ
D		REVISED PER ECR-20-005605	21APR2020	BKW	DS



RECOMMENDED PANEL OPENING DIMENSIONS FOR CAP HOUSING 1*5 AND 1*4 POSITIONS (TOLERANCE: ±0.15mm)

⚠ MATERIAL:
 LEVEL A: PA6 GLASS FILLED, COMPLY WITH GLOW WIRE REQUIREMENTS FOR PARTS OF NON-METALLIC MATERIAL SUPPORTING A CURRENT-CARRYING CONNECTION DETAILED IN IEC 60335-1, SECTION 30 (GWT), UL 94V-0
 LEVEL B: PBT GLASS FILLED, HOT WIRE IGNITION (HWI) VERSION ARE MOLDED IN A RESIN THAT COMPLIES WITH TE HOT WIRE IGNITION TEST 109-32026 AND ARE RECOMMENDED FOR USE WITH HWI HOUSINGS THAT ALSO COMPLY, UL 94V-0

⚠ MATERIAL MARK:
 LEVEL A: GWT, LEVEL B: HWT

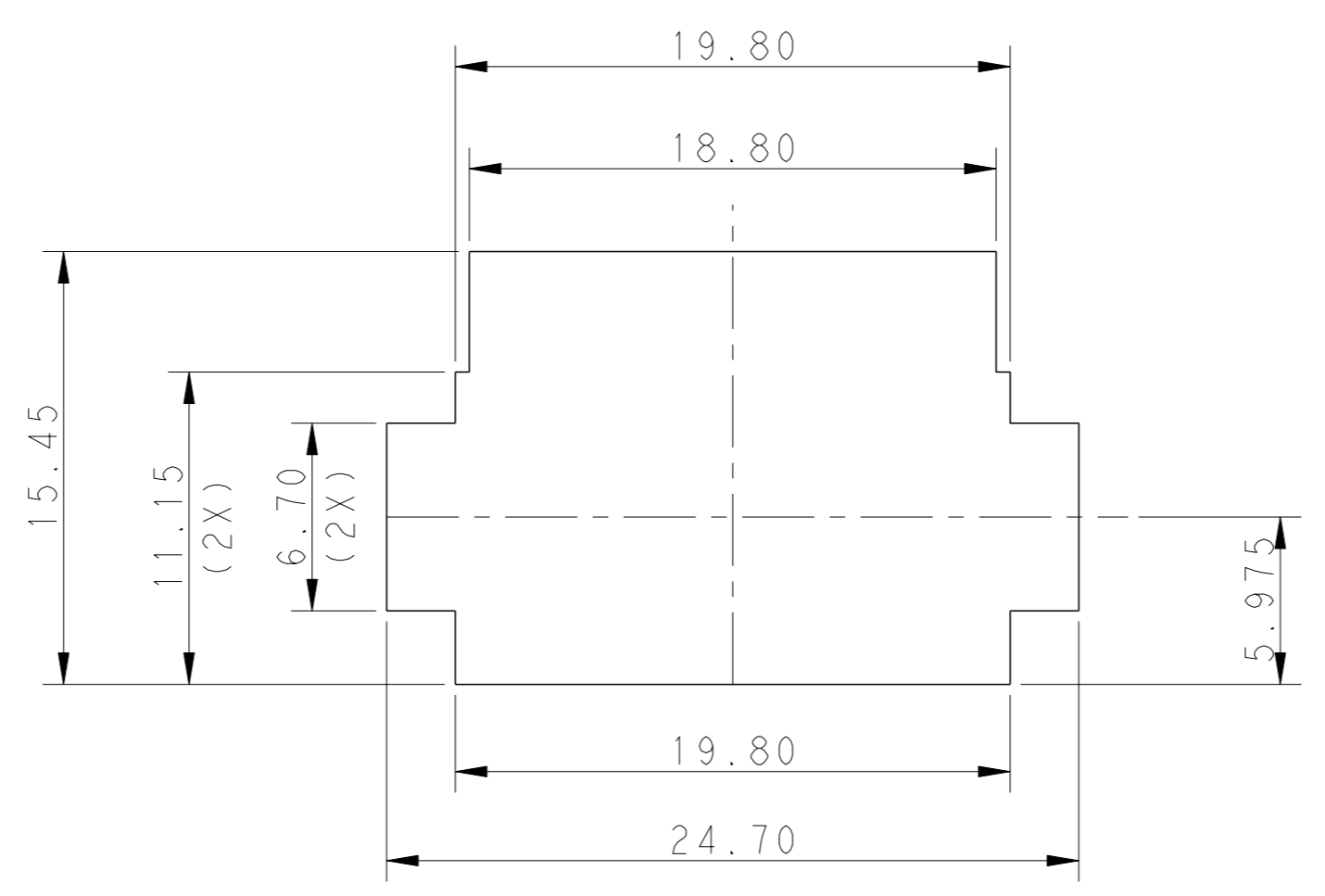
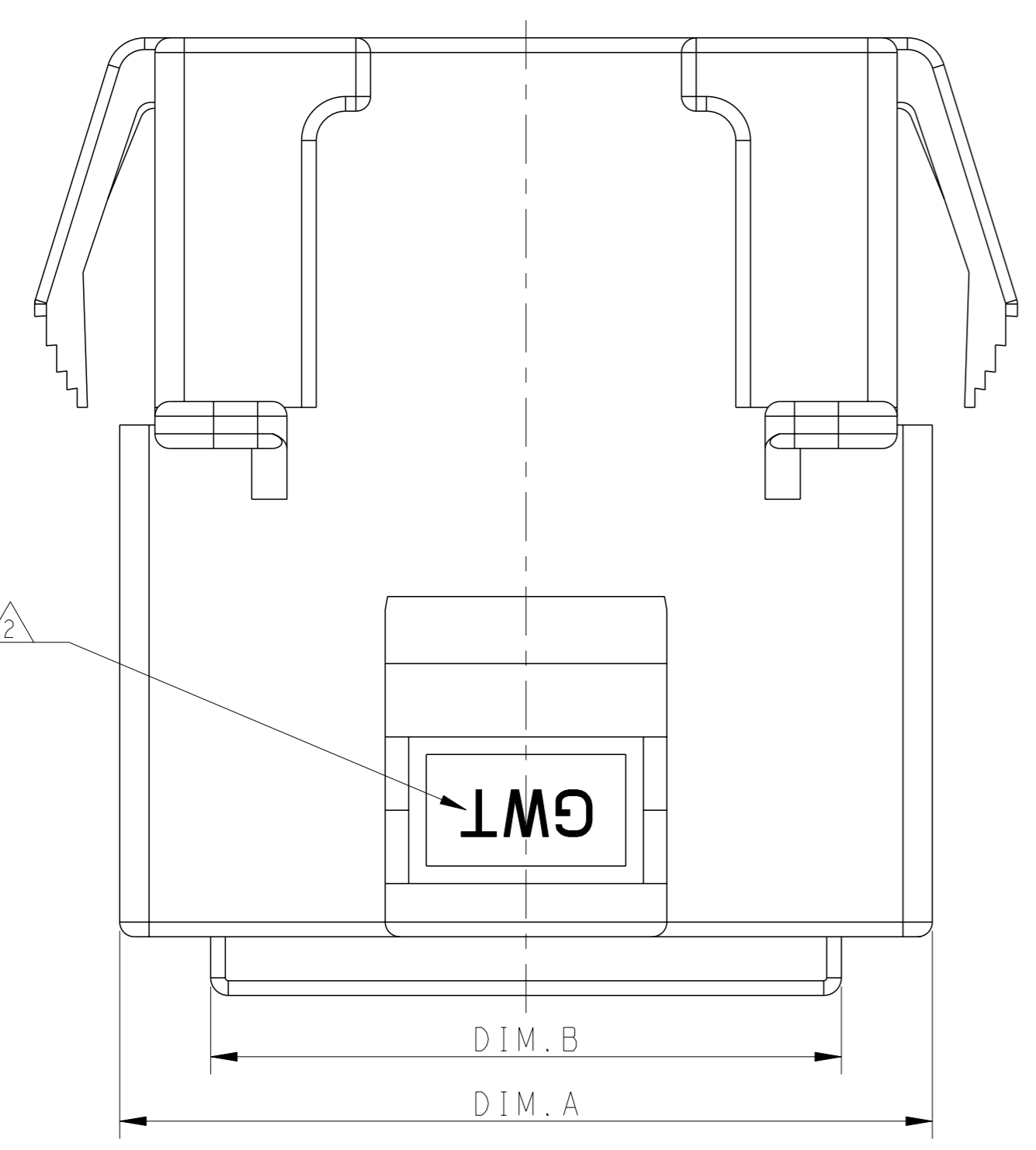
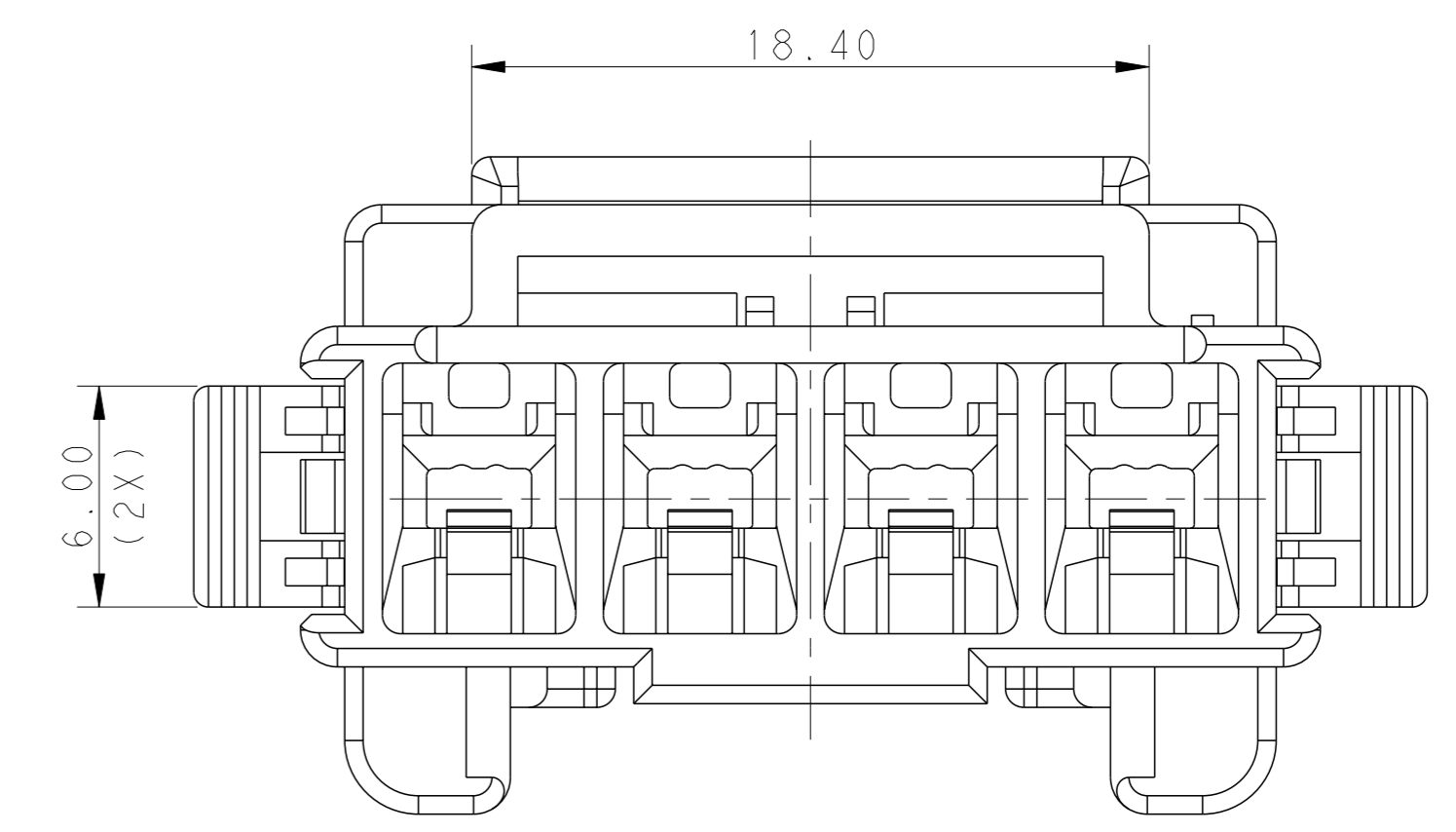
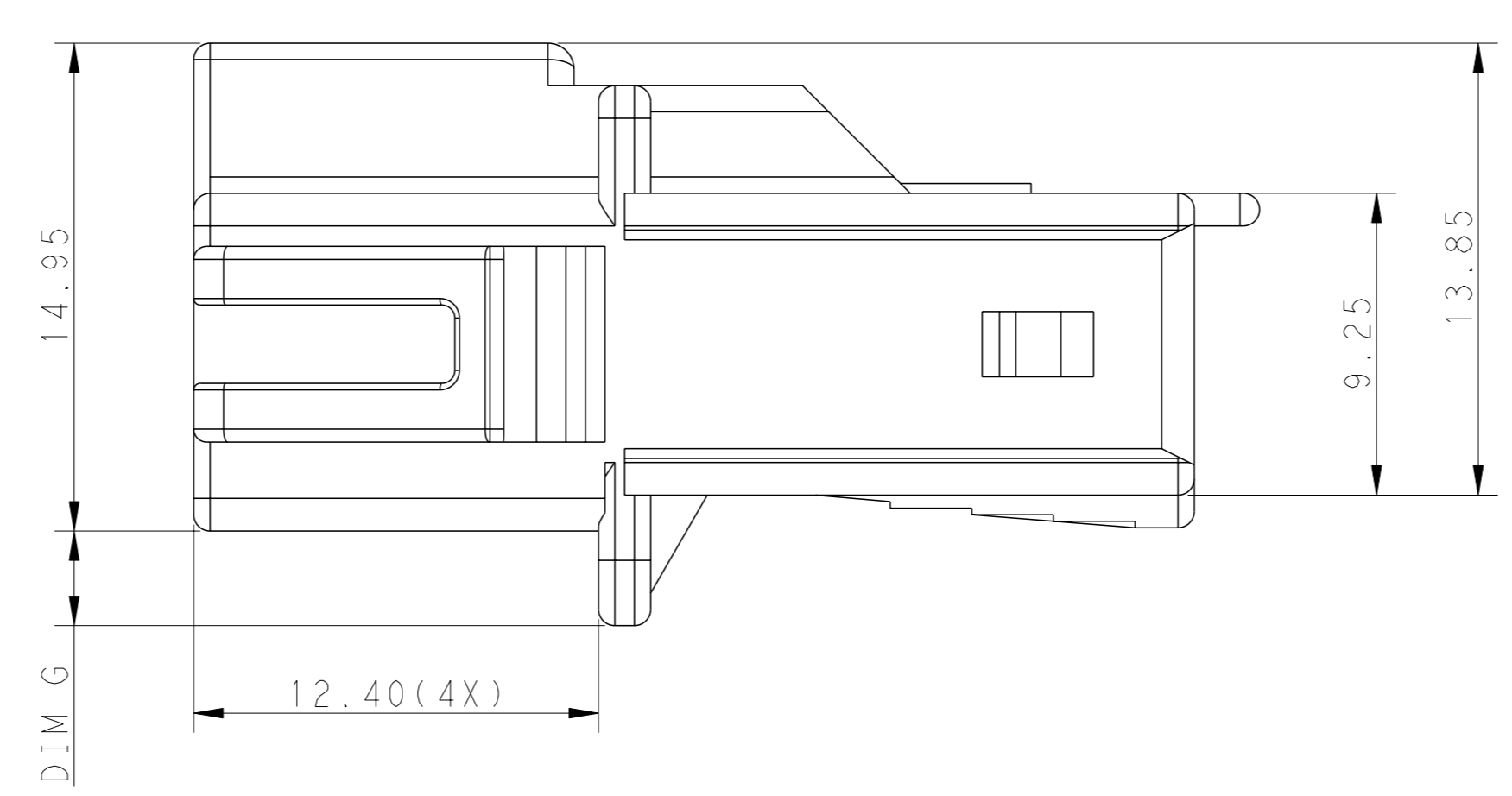
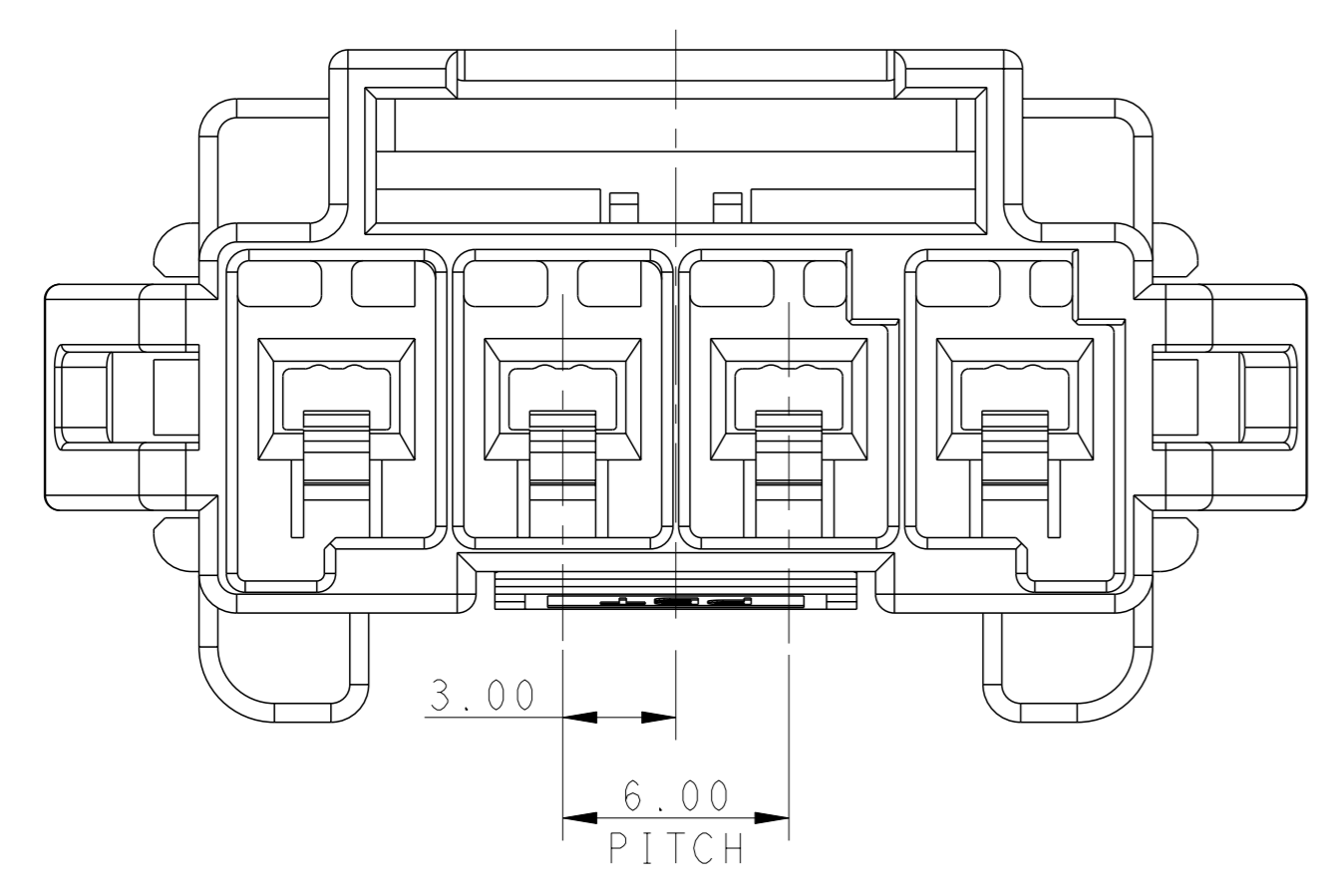
3 APPLICABLE CONTACT P/N
 TAB CONTACT: 1971238/1971780/1971782/1971784/1971786/1971788-*, 2238067-*

4 MATING CONN, P/N
 PLUG HSG: *-2232265-*,
 TPA (LOCK PLATE): *-1971777-*

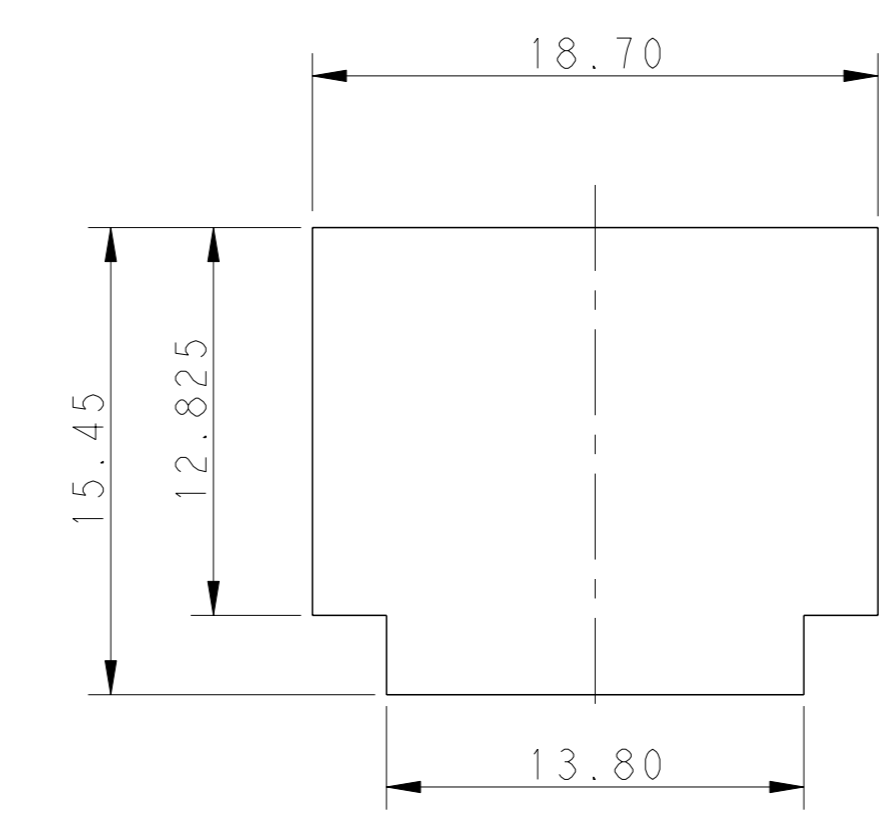
5 RECOMMENDED PANEL THICKNESS: 1.0~2.0mm

6 LEVEL A MATERIAL IS SHOWN IN ALL VIEWS EXCEPT WHERE INDICATED BY NOTE 7.

⚠ LEVEL B MATERIAL, KEY A AND B ONLY, THESE END KEYS ARE RECESSED.



RECOMMENDED PANEL OPENING DIMENSIONS FOR CAP HOUSING 1*3 POSITION (TOLERANCE: ±0.15mm)



RECOMMENDED PANEL OPENING DIMENSIONS FOR CAP HOUSING 1*2 POSITION (TOLERANCE: ±0.15mm)

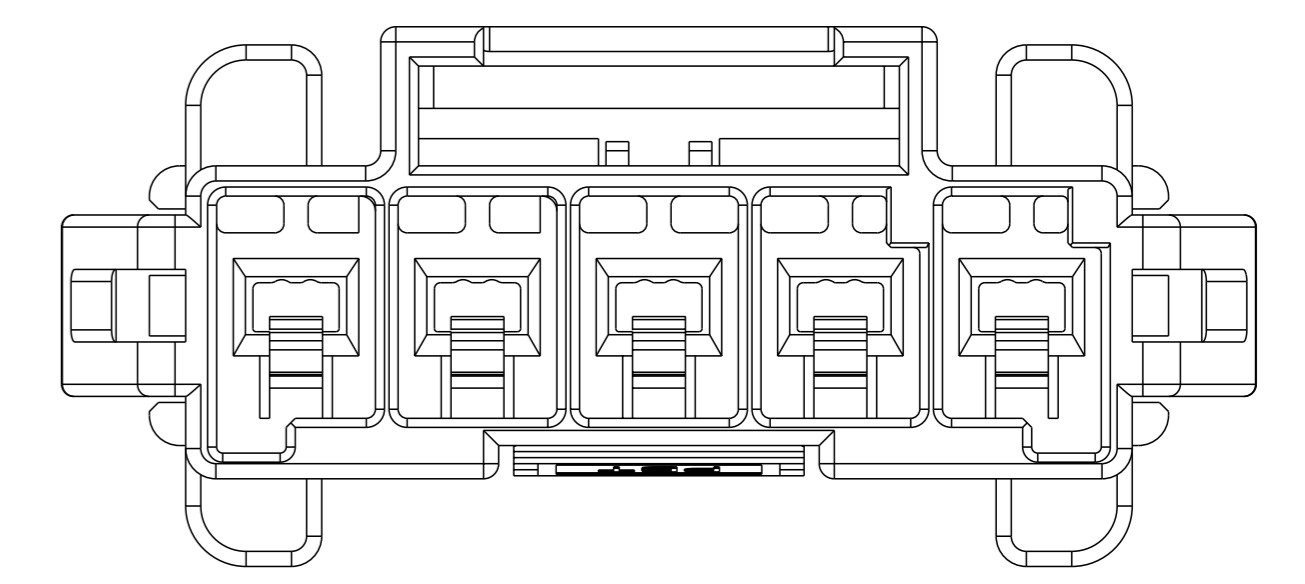
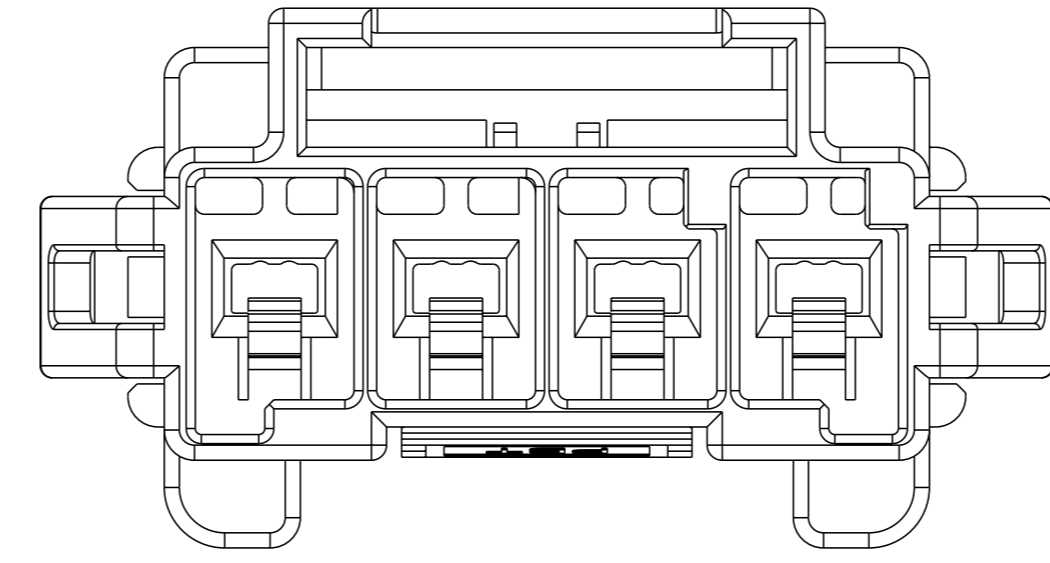
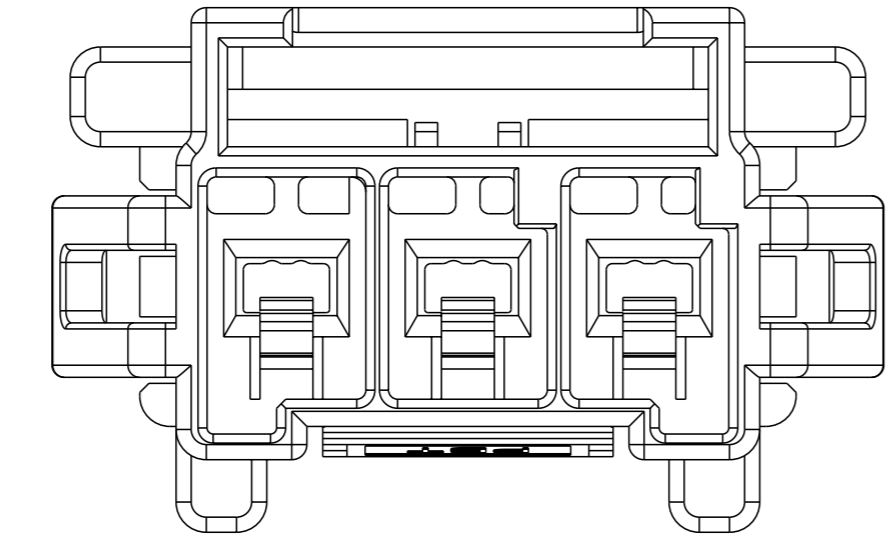
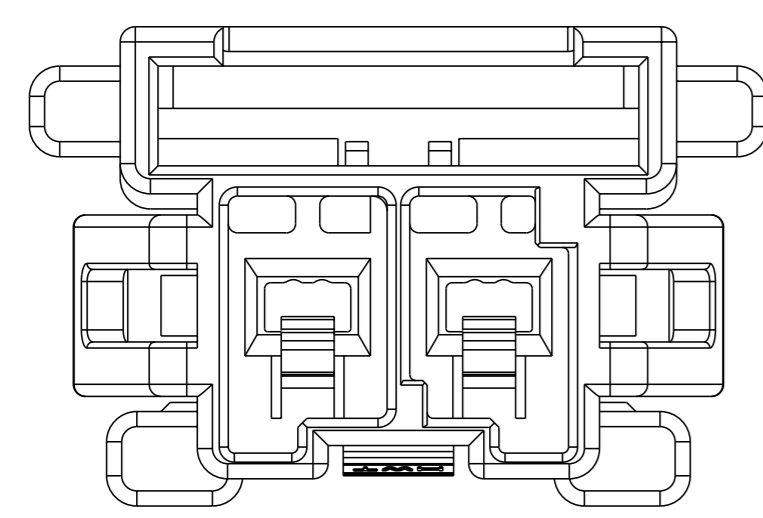
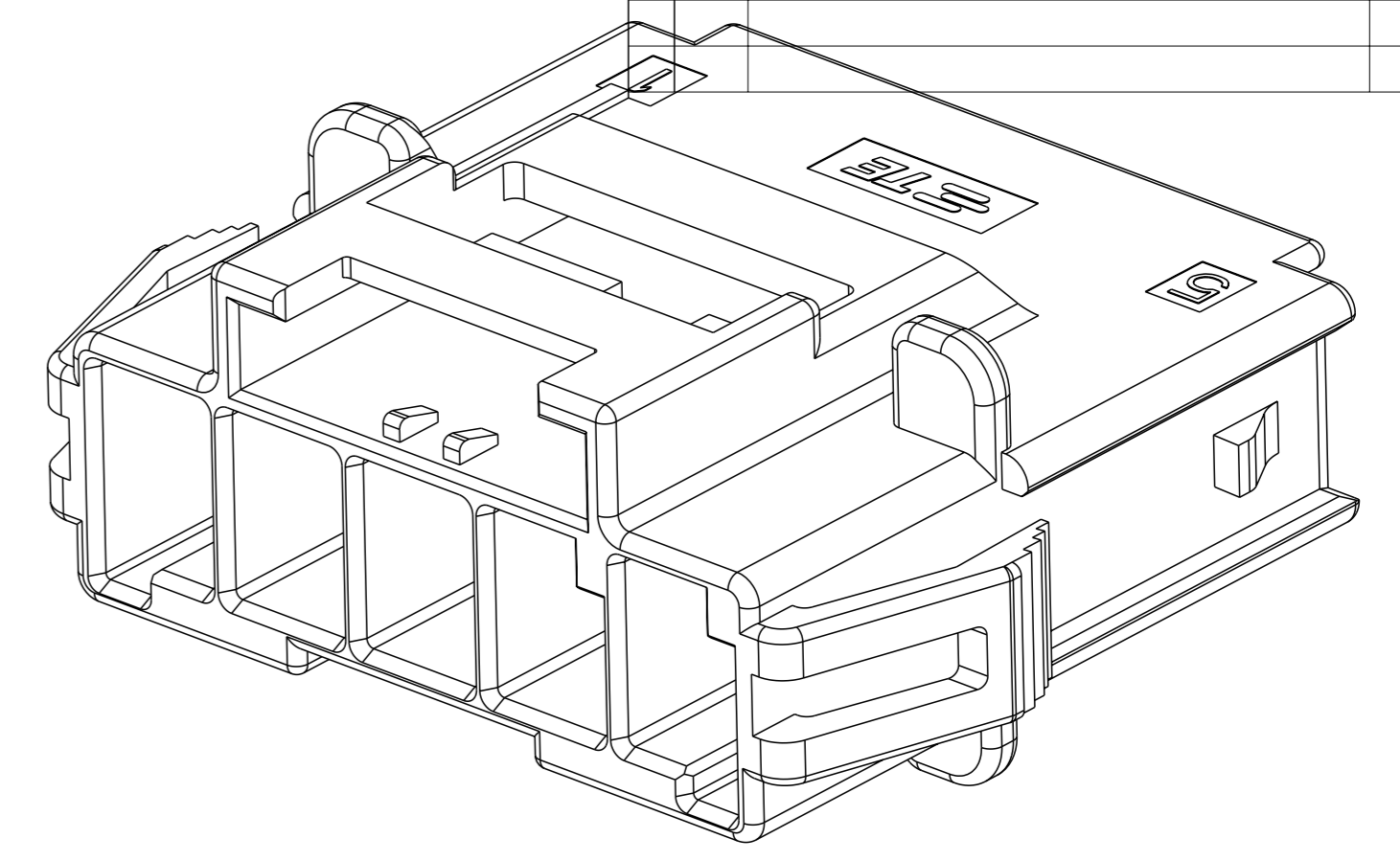
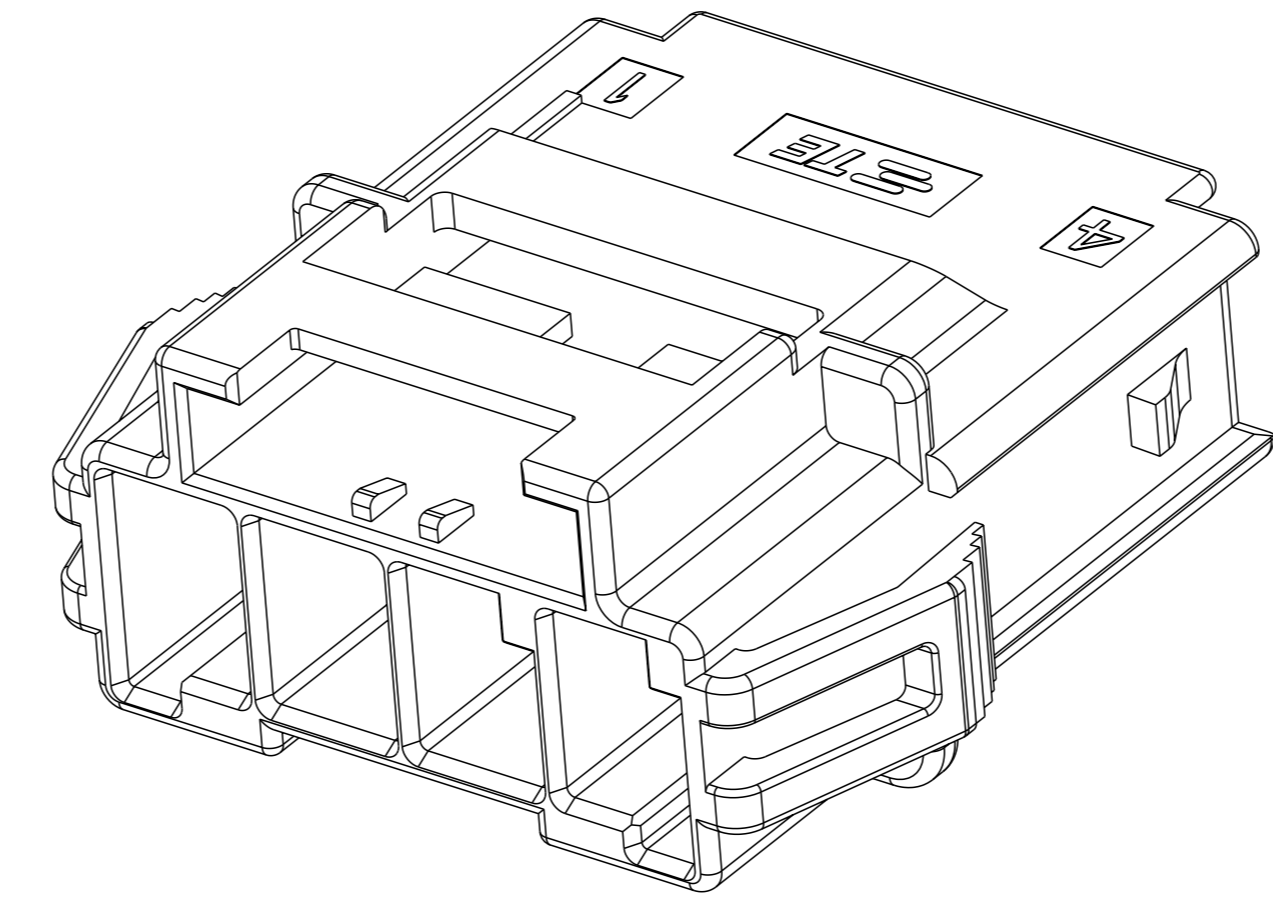
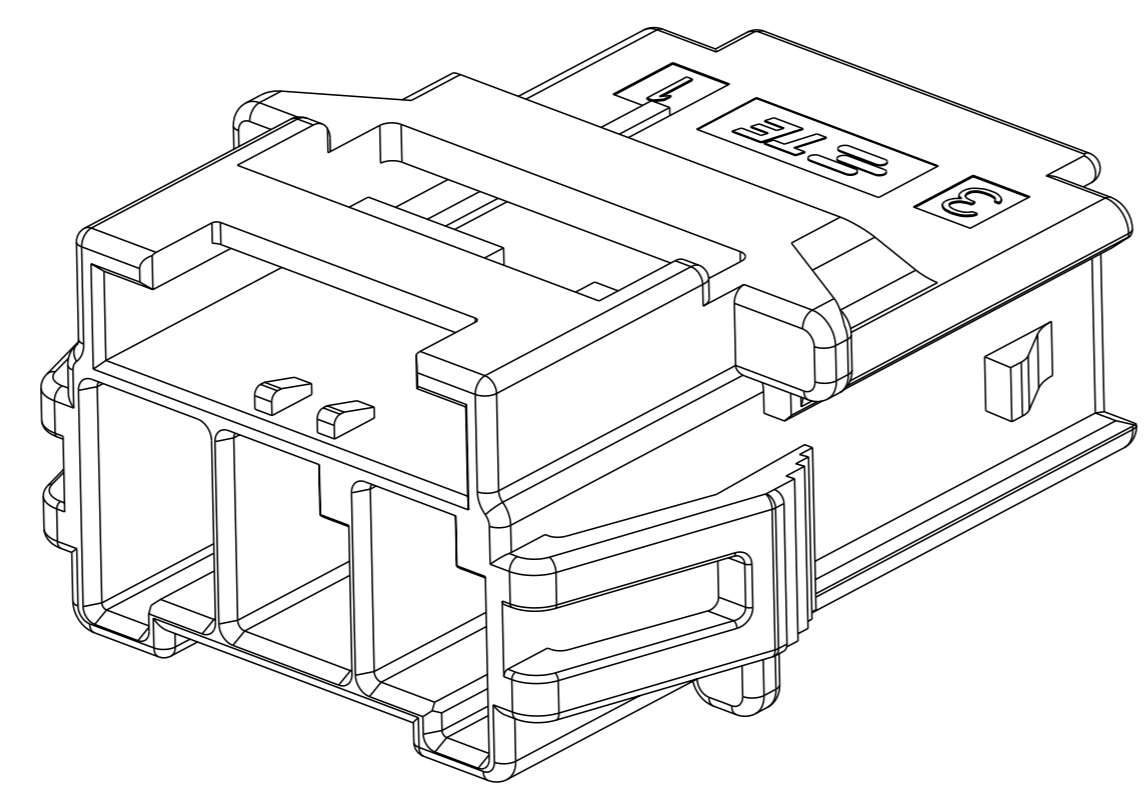
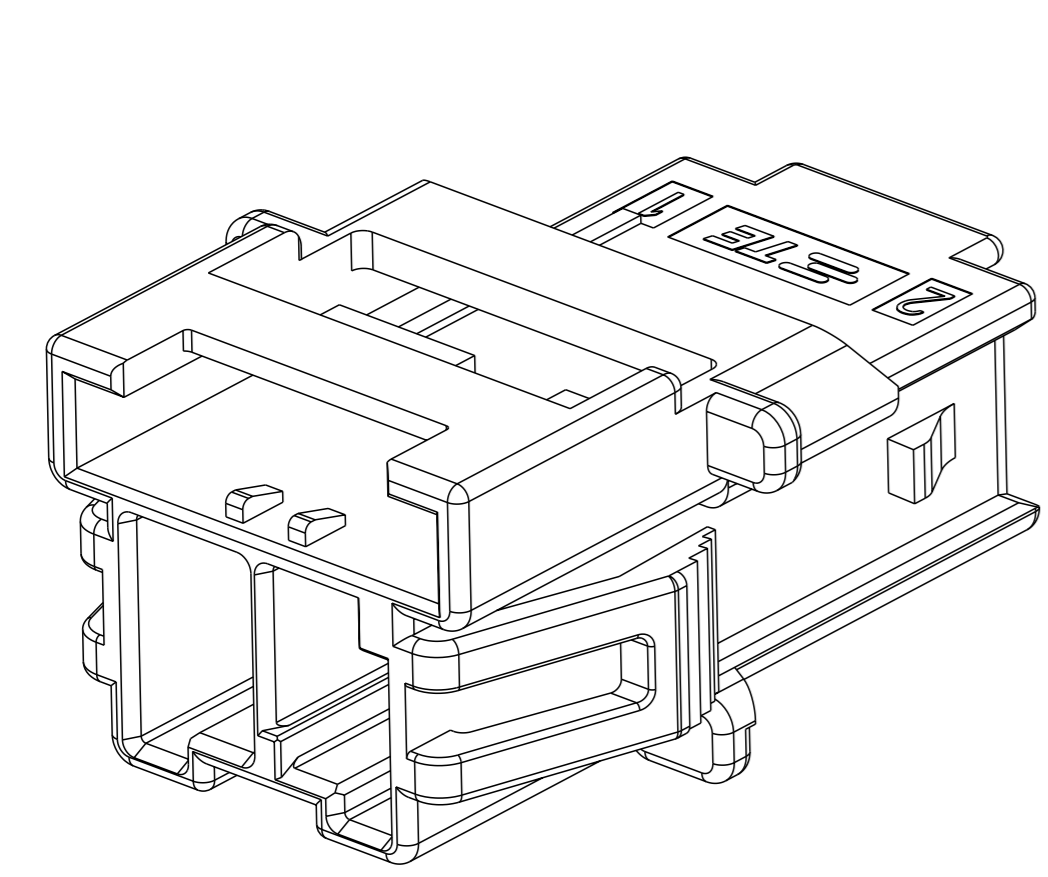
POS	Dim. A	Dim. B	Dim. C	Dim. D	Dim. E	Dim. F	Dim. G
1*5	33.70	27.50	39.5	31.30	36.70	31.80	2.9
1*4	27.70	21.50	33.5	25.30	30.70	25.80	2.9
1*3	21.70	15.50	27.5	19.30			2.5
1*2	15.70	9.50	21.5	13.30			1.1

THIS DRAWING IS A CONTROLLED DOCUMENT.

DIMENSIONS:	TOLERANCES UNLESS OTHERWISE SPECIFIED:	OWN: TOMMY WU 26MAR2013	CHK: HAPYE WU 26MAR2013	APVD: YUHONG MAO 26MAR2013	NAME: CAP HOUSING, PANEL MOUNT, SINGLE ROW POWER TRIPLE LOCK
mm	0 PLC ±	PRODUCT SPEC	SIZE: CAGE CODE DRAWING NO. RESTRICTED TO		
	1 PLC ±0.35	APPLICATION SPEC	SCALE: 5:1 SHEET 1 OF 2 REV D		
	2 PLC ±0.25	114-106118	A100779C=2232263		
	3 PLC ±0.20	114-106118	Customer Drawing		
	4 PLC ±	WEIGHT			
	ANGLES FINISH				

TE Connectivity

REVISIONS				
P	LY#	DESCRIPTION	DATE	OWN APVD
-	-	SEE SHEET 1	-	-

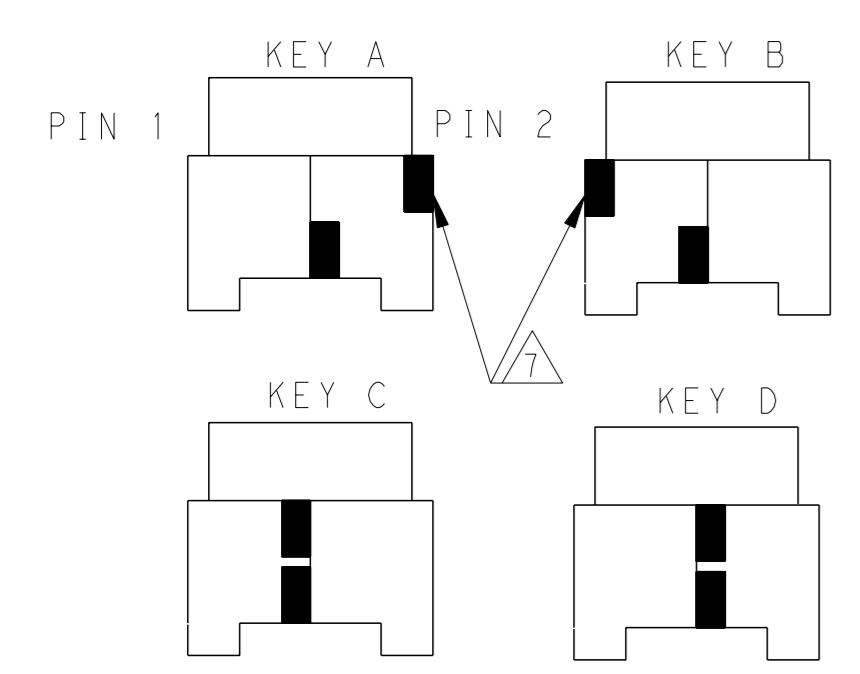


1*2 POSITIONS

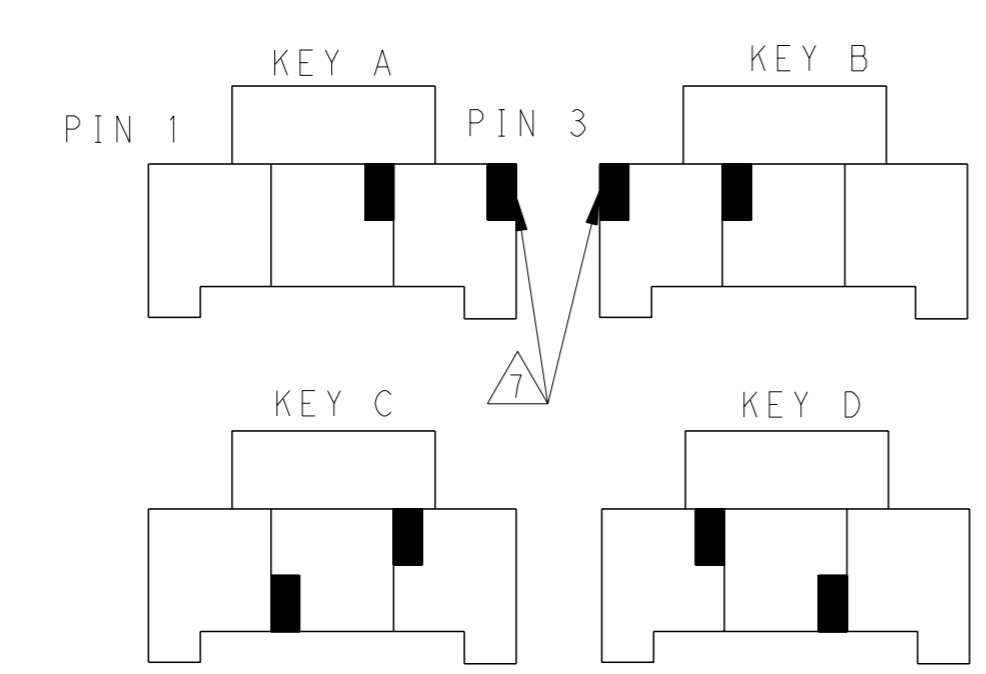
1*3 POSITIONS

1*4 POSITIONS

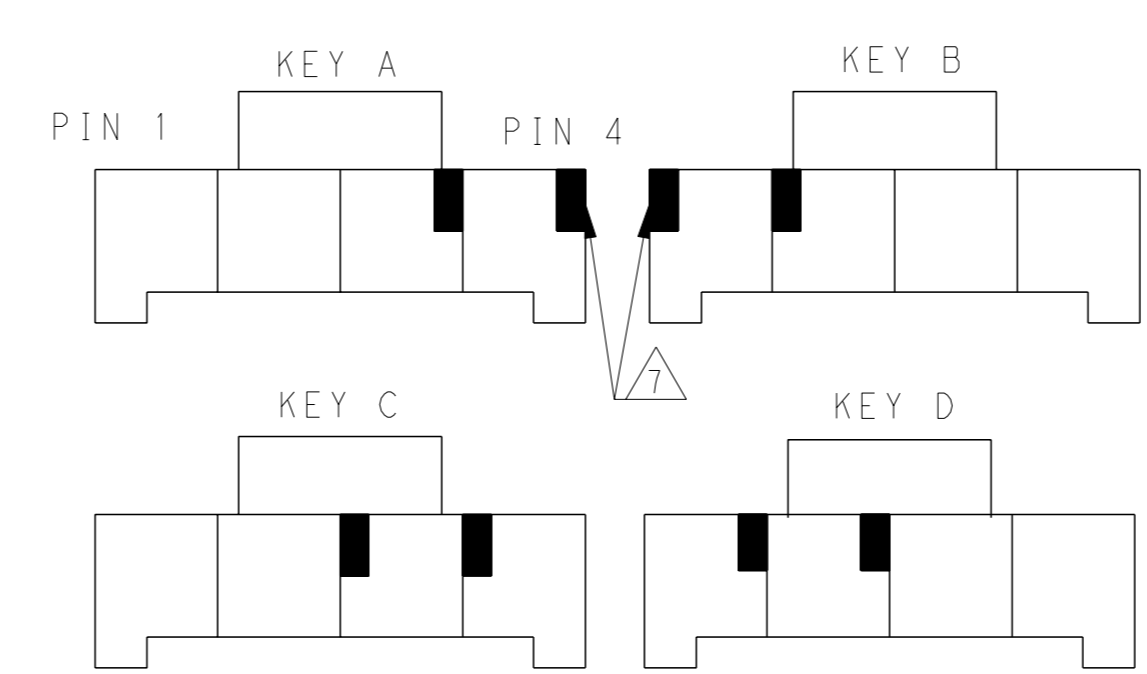
1*5 POSITIONS



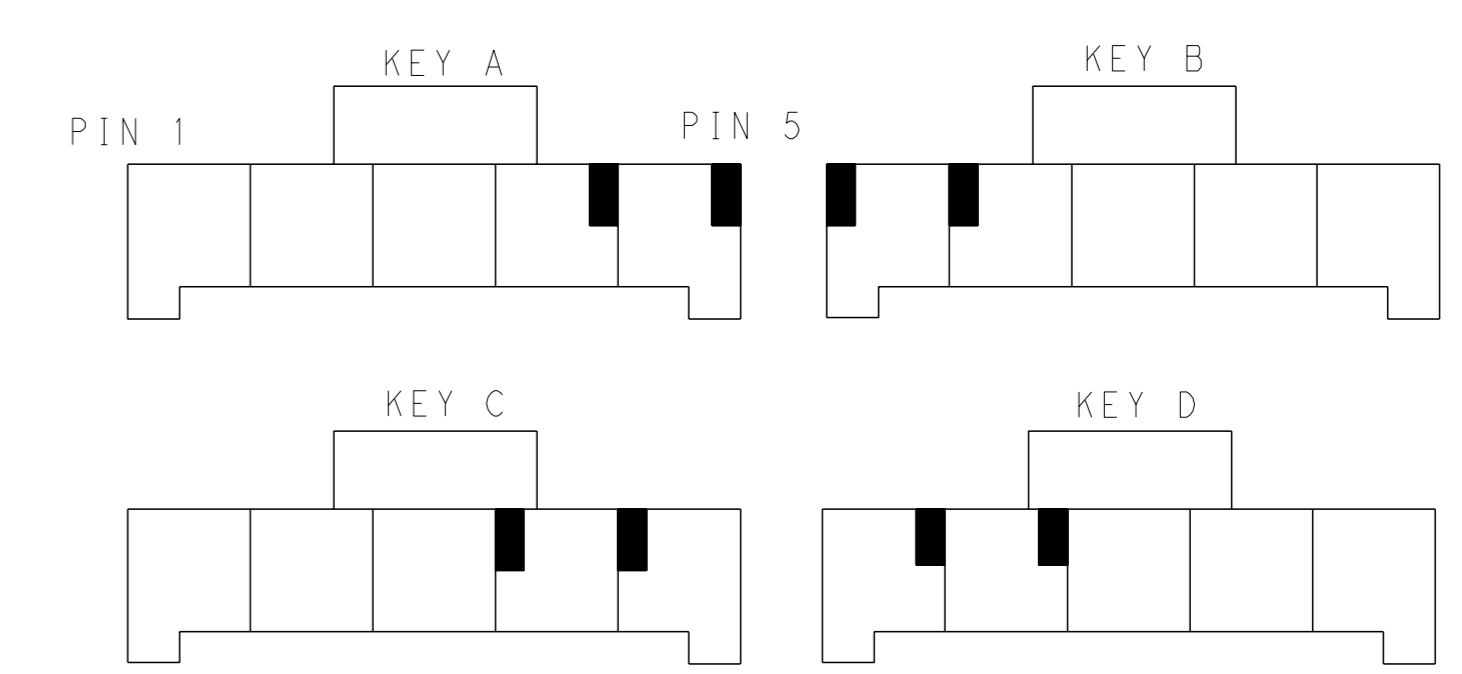
KEYING FOR 1*2 POS.



KEYING FOR 1*3 POS.



KEYING FOR 1*4 POS.



KEYING FOR 1*5 POS.

POS.	MATERIAL	COLOR	KEY	P/N	
1*5	LEVEL A	DARK GREY	KEY A	5-2232263-7	
		BROWN	KEY B	6-2232263-7	
		GREEN	KEY C	7-2232263-7	
		ORANGE	KEY D	8-2232263-7	
1*4	LEVEL B	BLACK	KEY A	1-2232263-3	
		LEVEL A	DARK GREY	KEY A	5-2232263-4
			BROWN	KEY B	6-2232263-4
			GREEN	KEY C	7-2232263-4
ORANGE	KEY D		8-2232263-4		
1*3	LEVEL B	BLACK	KEY A	1-2232263-2	
		LEVEL A	DARK GREY	KEY A	5-2232263-3
			BROWN	KEY B	6-2232263-3
			GREEN	KEY C	7-2232263-3
ORANGE	KEY D		8-2232263-3		
1*2	LEVEL A	DARK GREY	KEY A	5-2232263-2	
		BROWN	KEY B	6-2232263-2	
		GREEN	KEY C	7-2232263-2	
		ORANGE	KEY D	8-2232263-2	
		LEVEL B	NATURAL	KEY B	2-2232263-1
			BLACK	KEY A	1-2232263-1

THIS DRAWING IS A CONTROLLED DOCUMENT.		OWN TOMMY WU 26MAR2013	TE Connectivity
DIMENSIONS: mm		CHK HAPYE WU 26MAR2013	
TOLERANCES UNLESS OTHERWISE SPECIFIED:		APVD YUHONG MAO 26MAR2013	NAME CAP HOUSING, PANEL MOUNT, SINGLE ROW POWER TRIPLE LOCK
0 PLC ±	1 PLC ±0.35	PRODUCT SPEC	SIZE CAGE CODE DRAWING NO. RESTRICTED TO
2 PLC ±0.25	3 PLC ±0.20	108-106118	A100779C=2232263
4 PLC ±	ANGLES ±	APPLICATION SPEC	WEIGHT
MATERIAL	FINISH	114-106118	SCALE SHEET 2 OF 2 REV D
Customer Drawing			