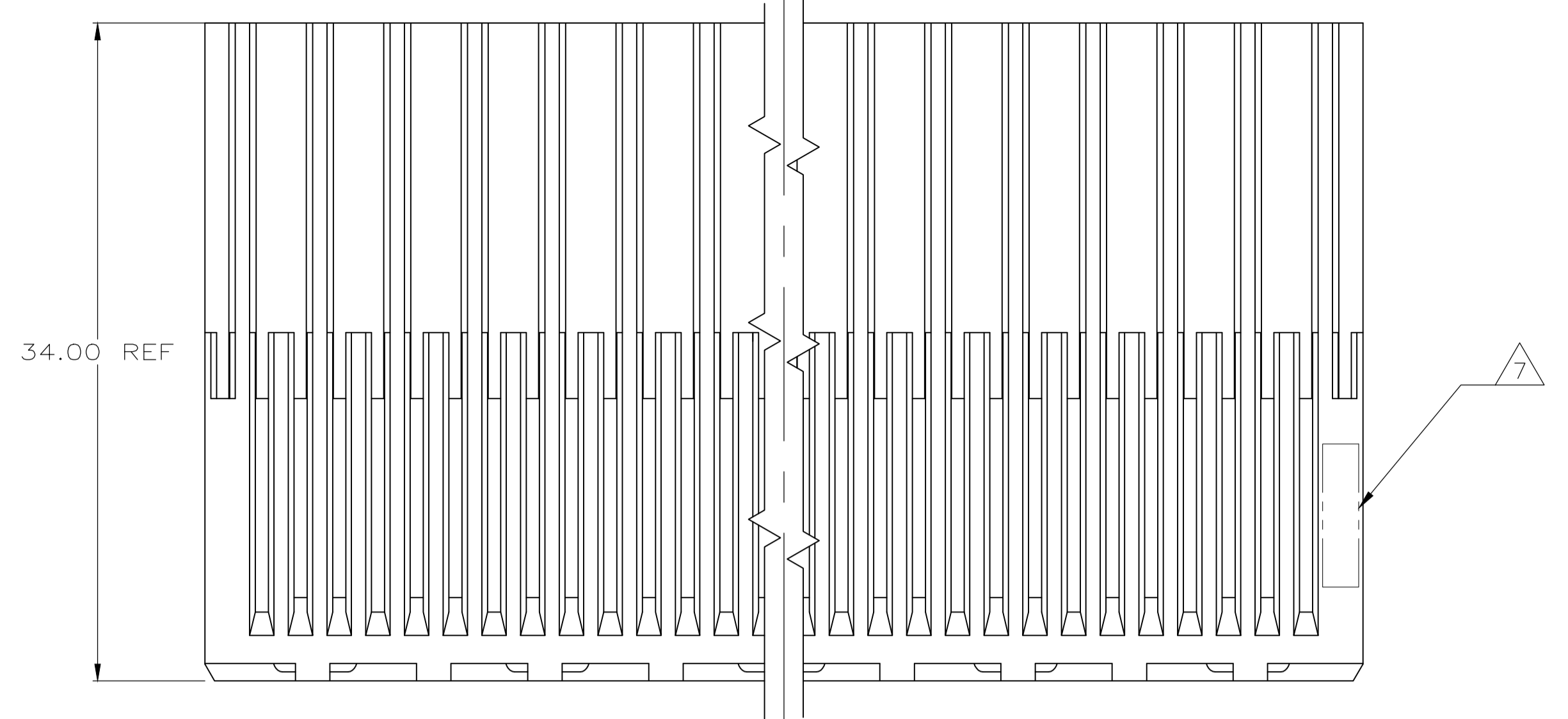
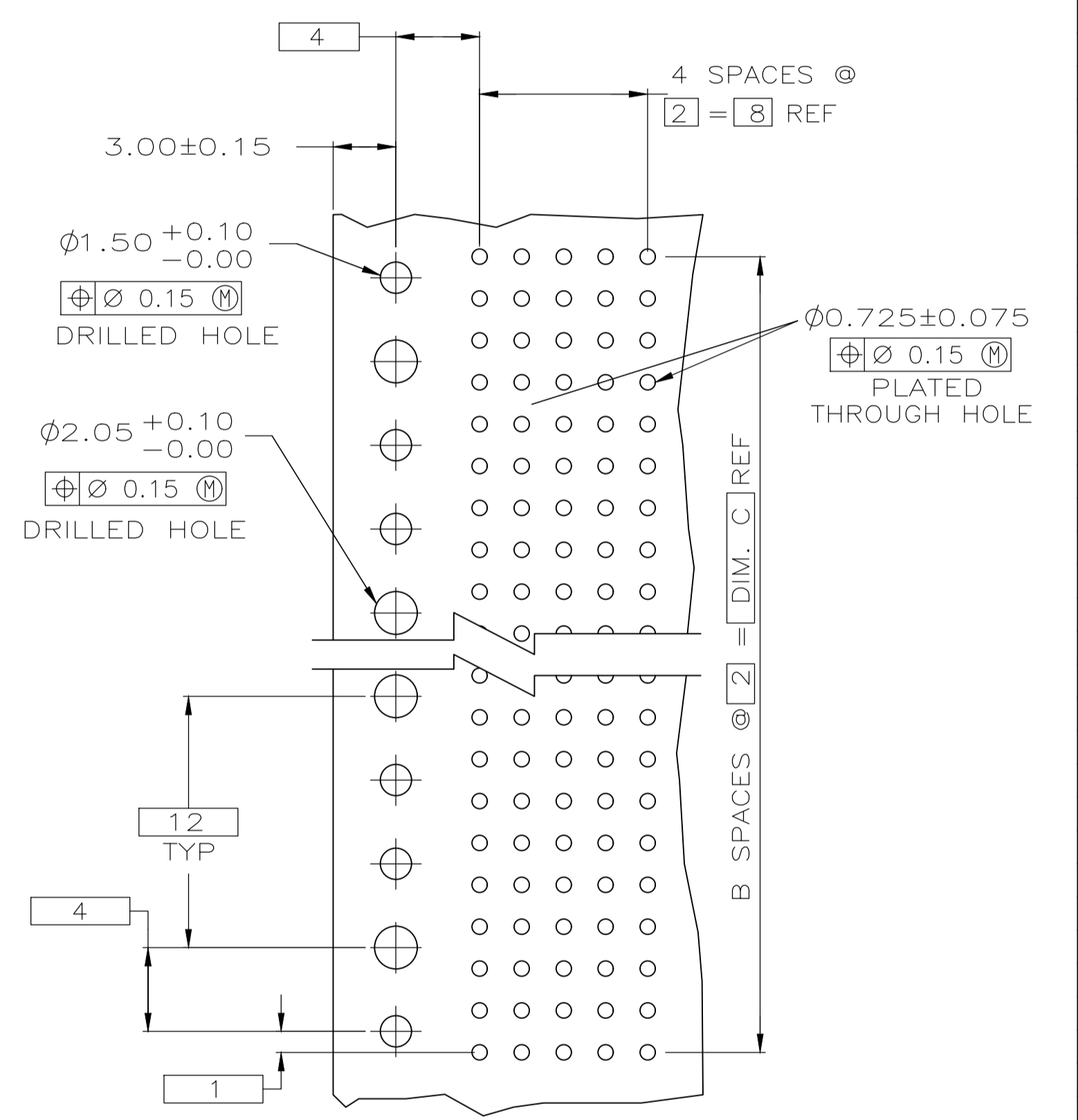
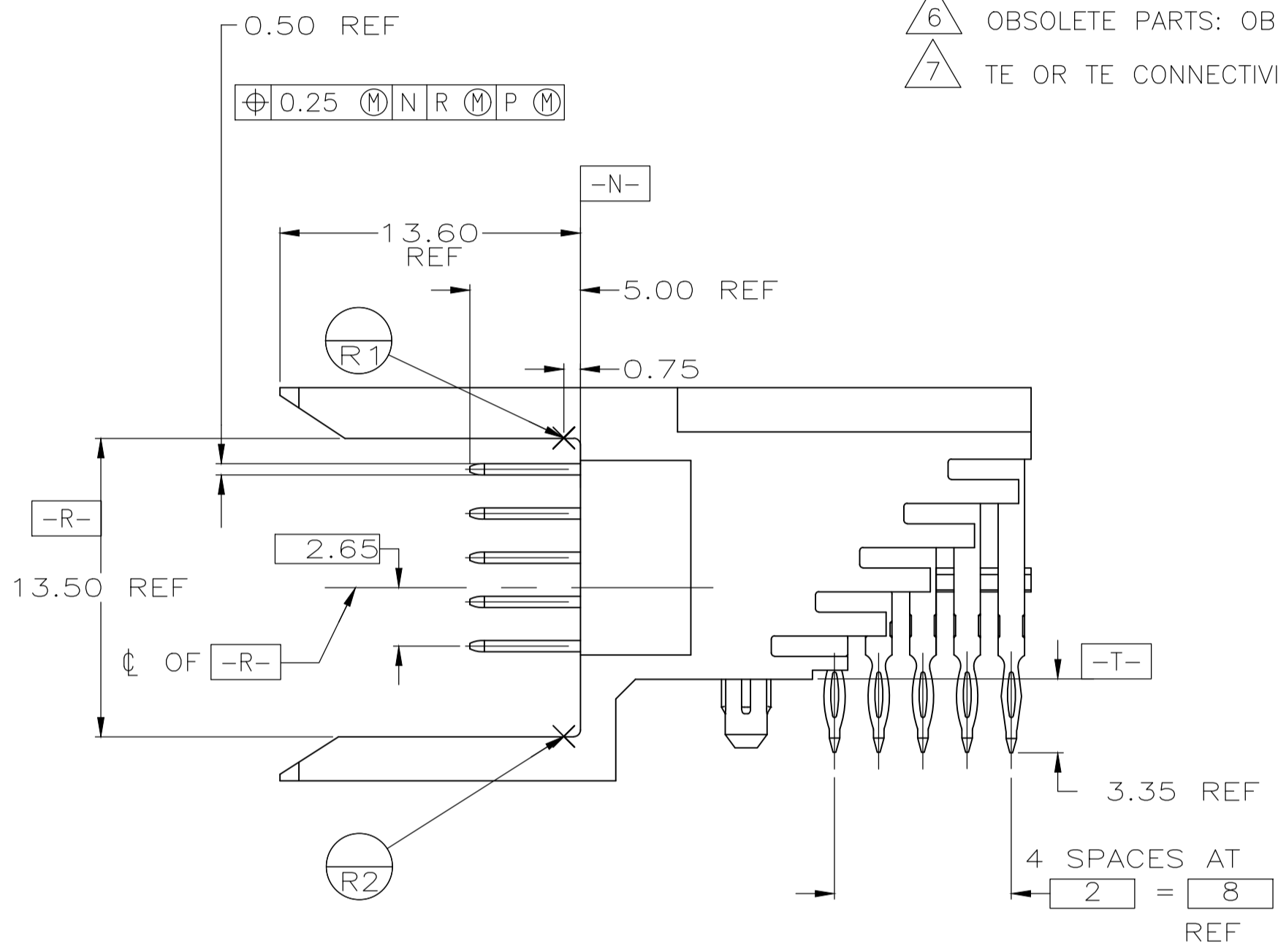
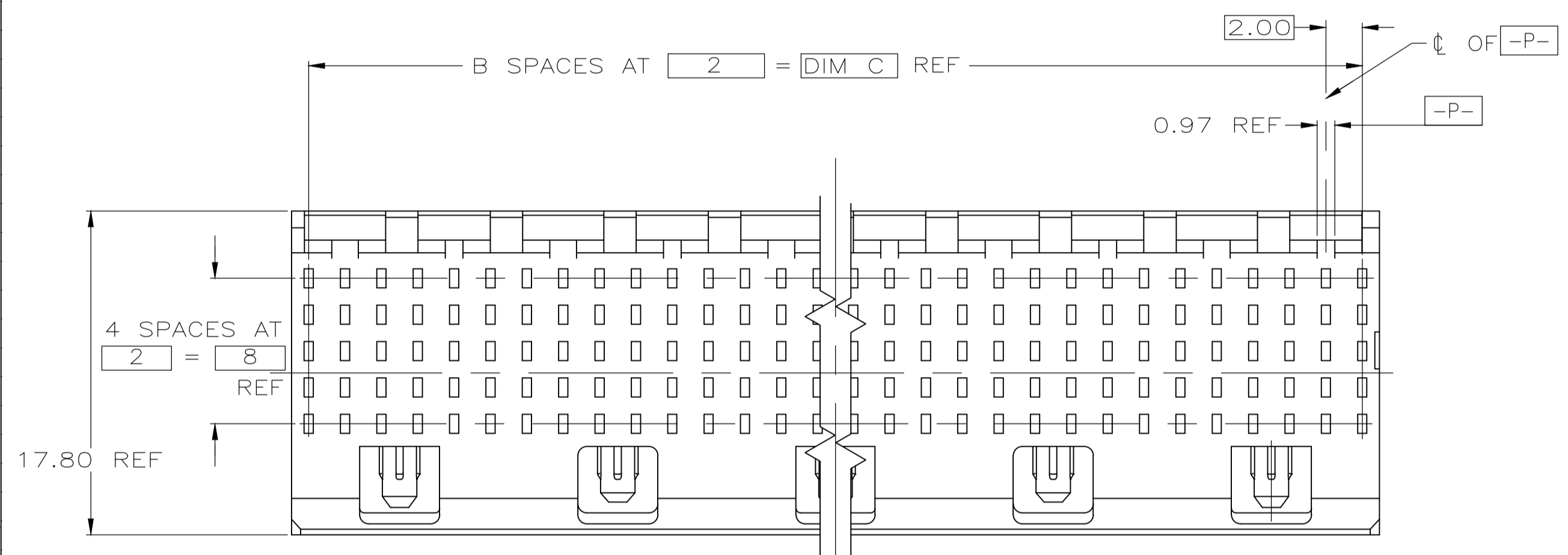


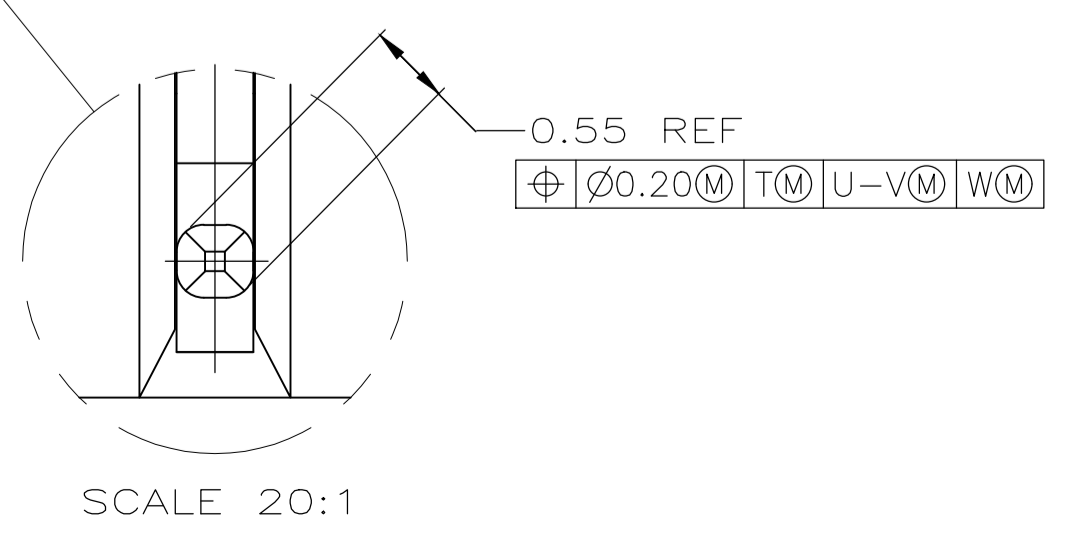
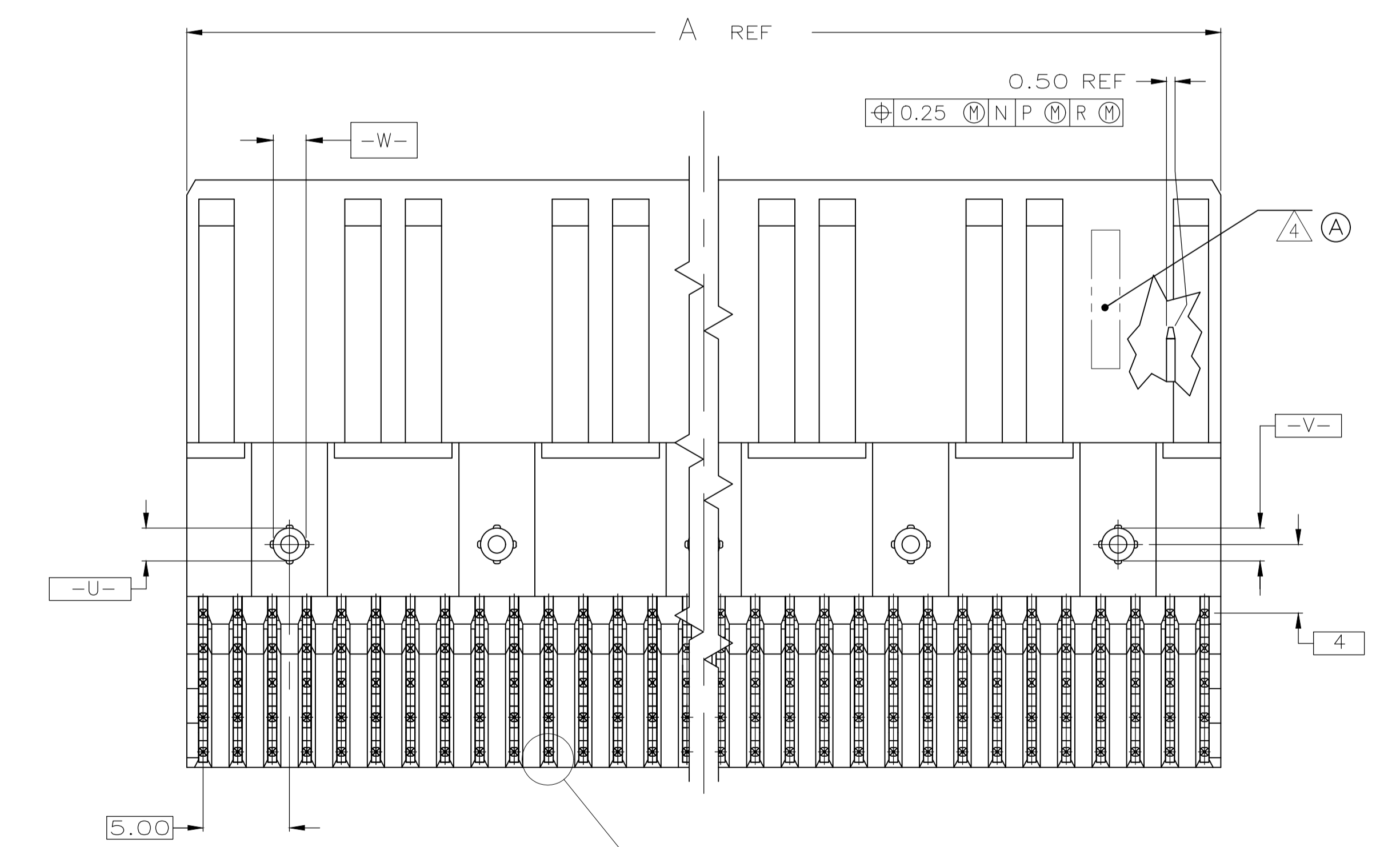
REVISIONS					
P	LTR	DESCRIPTION	DATE	DMN	APVD
B		REVISED PER ECO-18-018290	03OCT2019	AP	DS



- 1 HOUSING MATERIAL: LIQUID CRYSTAL POLYMER
COLOR: NATURAL.
- 2 CONTACT MATERIAL: PHOSPHOR BRONZE
- 3 CONTACT FINISH:(C)
UNDERPLATE (ENTIRE CONTACT):
0.00127 MIN NICKEL PER SAE-AMS-QQ-N-290
ON MATING SURFACES:
CONFORMS TO ALL TESTING SPECIFIED FOR TELCORDIA
UNCONTROLLED ENVIRONMENT.
ON LEADS:
0.0005 MIN MATTE TIN PER ASTM B 545 OVER UNDERPLATE.
LUBRICATION (MIN MATING SURFACES):
SURFACE CONDITIONER AFTER PLATING.
- 4 PART MARKING PER TE SPEC 115-9009 LOCATED APPROXIMATELY
AS SHOWN BETWEEN RIBS/SLOTS ON EITHER SIDE OF HOUSING AT
MANUFACTURER'S DISCRETION.
- 5 PART TO BE MARKED WITH DATE CODE ONLY.
- 6 OBSOLETE PARTS: OBSOLETE CIS STREAMLINING PER D.RENAUD/D.SINISI
- 7 TE OR TE CONNECTIVITY LOGO IS LOCATED.



RECOMMENDED CIRCUIT PATTERN
PER IPC-D300 TYPE II, CLASS C
(COMPONENT SIDE)



	82	41	83.88	3	210	5223524-7
	70	35	71.88	3	180	5223524-6
6 OBSOLETE	58	29	59.88	3	150	5223524-5
	46	23	47.88	3	120	5223524-4
6 OBSOLETE	34	17	35.88	3	90	5223524-3
	22	11	23.88	3	60	5223524-2
	10	5	11.88	3	30	5223524-1
	C	B	A	FINISH	NO OF POSN	PART NUMBER

THIS DRAWING IS A CONTROLLED DOCUMENT.

DIMENSIONS:	TOLERANCES UNLESS OTHERWISE SPECIFIED:	DIN B MCMMASTER 14DEC04	TE Connectivity
mm	0 PLC ± - 1 PLC ± - 2 PLC ± 0.13 3 PLC ± - 4 PLC ± - ANGLES ± -	DRK R WERTZ 14DEC04	ASSEMBLY, PIN HEADER, RIGHT ANGLE, 5 ROW, Z-PACK 2mm FB, PRESS FIT LEADS
MATERIAL	FINISH	WEIGHT 0.000000	SIZE CAGE CODE DRAWING NO RESTRICTED TO
1 2 3		A1 00779 C=5223524	SCALE 4:1 SHEET 1 OF 1 REV B