

THIS DRAWING IS UNPUBLISHED.

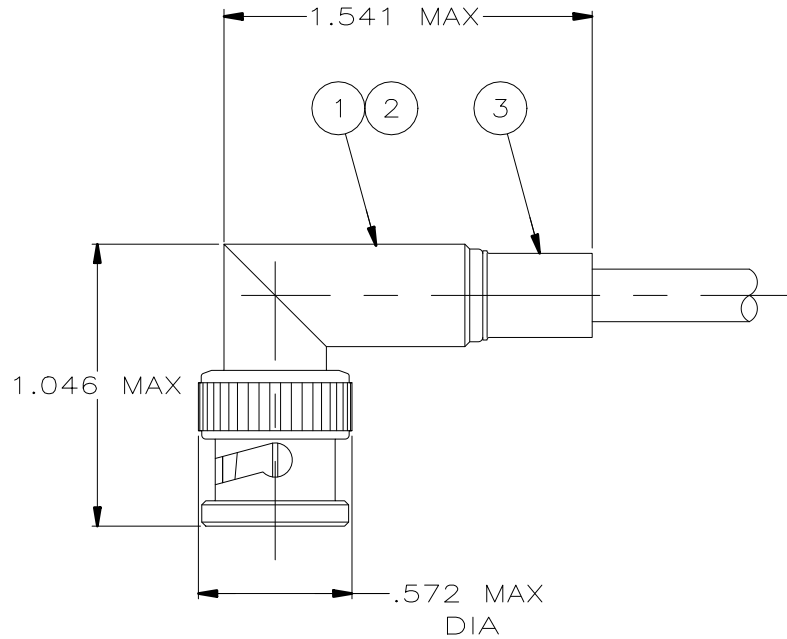
RELEASED FOR PUBLICATION

ALL RIGHTS RESERVED.

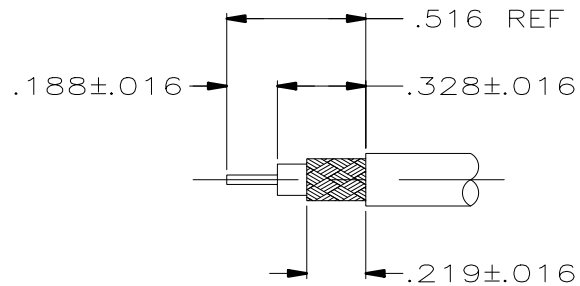
© COPYRIGHT - TE Connectivity Ltd.

REVISIONS

P	LTR	DESCRIPTION	DATE	DWN	APVD
A1		REVISED PER ECR-19-006451	23APR2019	ED	RS



1. USE HAND TOOL 69478-1.
2. SEE INSTRUCTION SHEET 408-1914-5.



RECOMMENDED STRIP LENGTH

RG 142/U, 142A/U, & 142B/U	9-225382-1	1-331369-2	225975-1	5225973-4
RG 58/U, 58A/U, 58B/U, & 58C/U	9-225381-1	331369	225975-1	5225973-1
CABLE	③ FERRULE QTY=1	② CONTACT QTY=1	① PLUG ASSY QTY=1	PART NUMBER

THIS DRAWING IS A CONTROLLED DOCUMENT.

DWN J. HAVENER 27JUL2005

CHK J. HAVENER 27JUL2005

APVD J. LIPPERT 27JUL2005

PRODUCT SPEC

108-12020

APPLICATION SPEC

WEIGHT 0.000000

CUSTOMER DRAWING



NAME PLUG, RIGHT ANGLE, DUAL CRIMP, BNC

SIZE A3 CAGE CODE 00779 DRAWING NO C=5225973 RESTRICTED TO

SCALE 2:1 SHEET 1 OF 1 REV A1

DIMENSIONS:
INCHES

TOLERANCES UNLESS OTHERWISE SPECIFIED:



- 0 PLC ± -
- 1 PLC ± -
- 2 PLC ± -
- 3 PLC ± -
- 4 PLC ± -
- ANGLES ± -

MATERIAL

FINISH