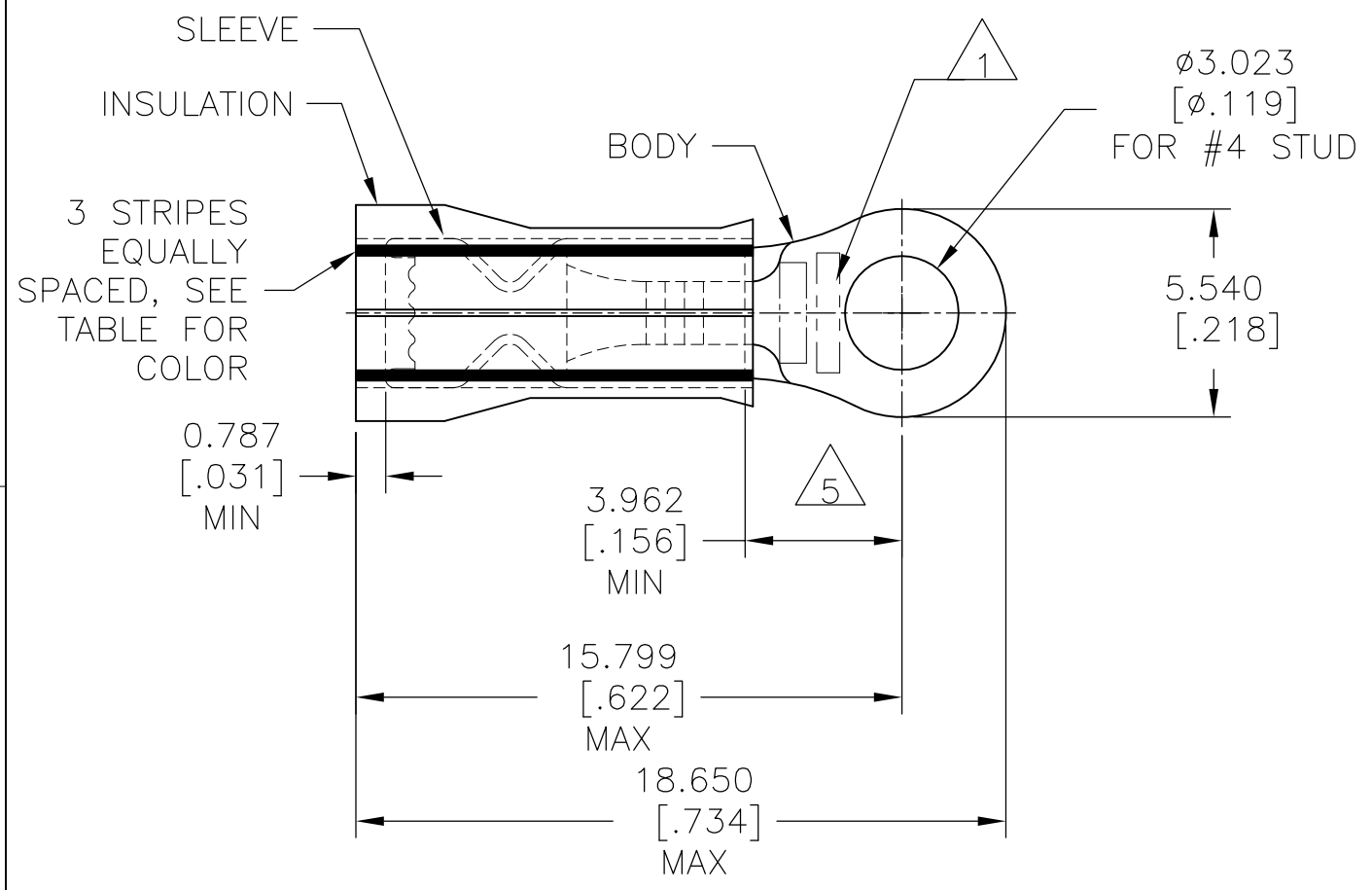


REVISIONS					
P	LTR	DESCRIPTION	DATE	DWN	APVD
	N1	REVISED PER ECO-16-003307	08MAR2016	NK	DR
	N2	REVISED PER ECO-17-007400	29NOV2017	RS	DR

AMP
WIRE RANGE

22-16 AWG
SOLID OR STRANDED



- 1 STAMP "AMP ", (SEE TABLE) APPROX AS SHOWN.
- 2 WIRE INSULATION DIA: SEE TABLE.
- 3 BODY MATERIAL THK: 0.787±0.051[.031±.002].
- 4 MATERIAL:
BODY & SLEEVE: CU PER ASTM B152
INSULATION: NYLON PER ASTM D4066.
- 5 APPLIES FROM EDGE OF METAL WIRE BARREL TO CENTER OF STUD HOLE.
- 6 MEETS M7928/1-11, CLASS 1 & 2.
- 7 MEETS M7928/1-20, CLASS 1 & 2.
- 8 MEETS M7928/1-29, CLASS 1 & 2.
- 9 FINISH:
BODY & SLEEVE: TIN PLATE 0.00254[.000100] MIN
EXT THK PER ASTM B545
INSULATION: COLOR - RED.

500	LOOSE PIECE	18*	1.422[.056]-2.794[.110]	18	WHITE	8	52273-2
500	LOOSE PIECE	20*	1.168[.046]-2.794[.110]	20	RED	7	52273-1
500	LOOSE PIECE	22*	0.965[.038]-2.794[.110]	22	GREEN	6	52273
QTY	PACKAGE TYPE	WIRE STAMPING	WIRE INSUL. DIA	WIRE SIZE	COLOR CODE		PART NO

CUSTOMER SERVICE SYSTEMS FOR ADDITIONAL PRODUCT INFORMATION OR COPIES OF DRAWINGS AND TECHNICAL DOCUMENTS PRODUCT INFORMATION CENTER 1-800-522-6752 FOR APPLICATION TOOLING ASSISTANCE CENTER TOOLING INFORMATION 1-800-722-1111 FOR ORDER ENTRY 1-800-526-5142		MAX RECOMMENDED OPERATING TEMPERATURE: 105°C[221°F] MAX VOLTAGE RATING: 300 V MAX CIRCULAR MIL AREA: 0.26-1.65mm² [509-3,260] STRANDED OR SOLID		THIS DRAWING IS A CONTROLLED DOCUMENT. DIMENSIONS: mm [INCHES] TOLERANCES UNLESS OTHERWISE SPECIFIED: 0 PLC ± - 1 PLC ± - 2 PLC ± - 3 PLC ± 0.127[.005] 4 PLC ± - ANGLES ± - MATERIAL FINISH		DWN JR RUTH 13JAN10 CHK T MICHELUTTI 13JAN10 APVD T MICHELUTTI 13JAN10 PRODUCT SPEC APPLICATION SPEC WEIGHT -		TE Connectivity NAME TERMINAL, RING TONGUE, PIDG, INSULATION RESTRICTING, WIRE SIZE: 22-16 AWG SIZE A3 CAGE CODE 00779 DRAWING NO C-52273 RESTRICTED TO -	
		CUSTOMER DRAWING		SCALE 5:1 SHEET 1 OF 1 REV N2					