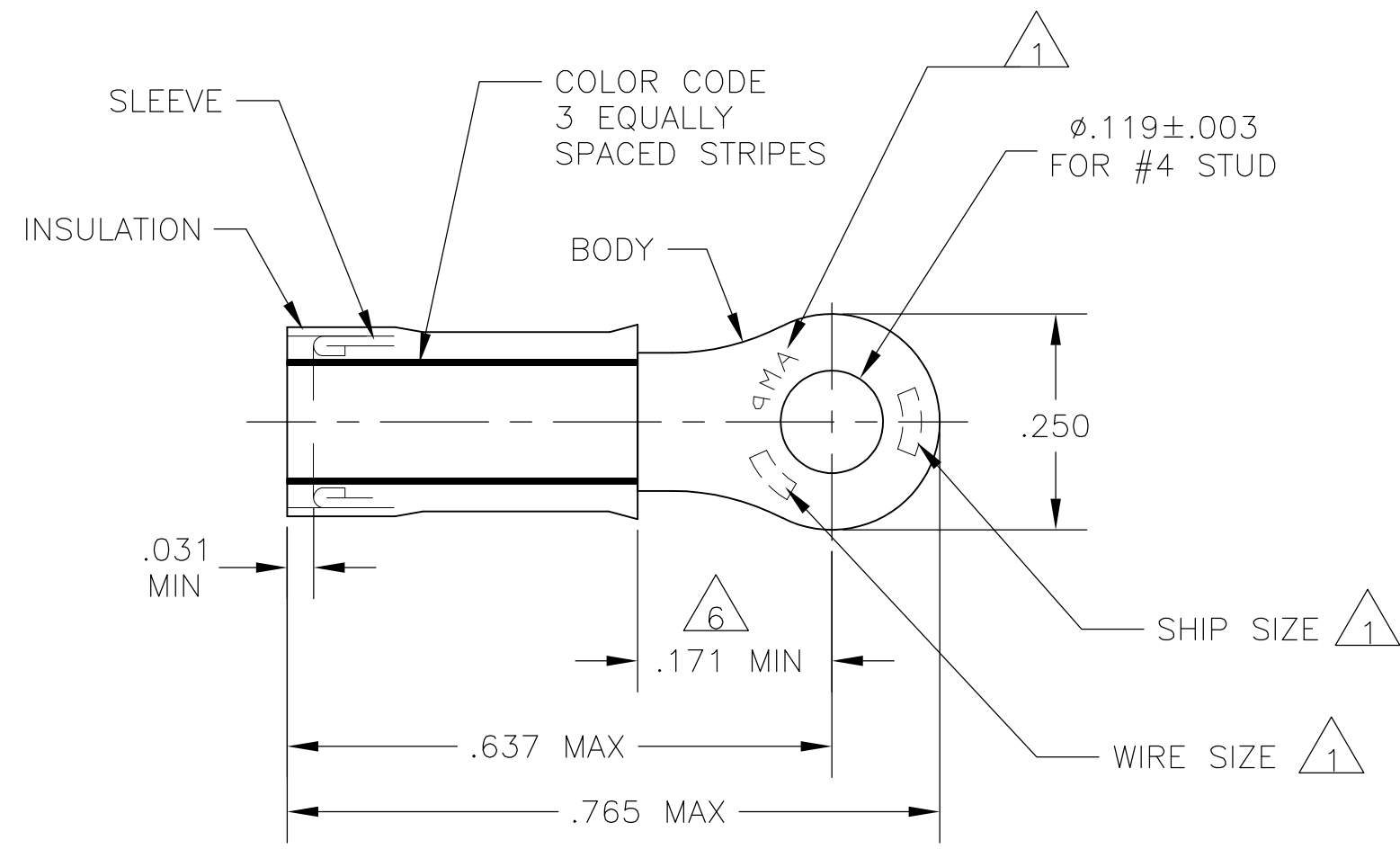


THIS DRAWING IS UNPUBLISHED. RELEASED FOR PUBLICATION
 © COPYRIGHT - By - ALL RIGHTS RESERVED.

LOC	DIST	REVISIONS					
G	14	P	LTR	DESCRIPTION	DATE	DWN	APVD
			H	REVISED PER ECO-14-015277	24FEB2015	NK	DR

AMP WIRE RANGE	E13288 Listed	LR7189 Certified
16-14 AWG SOLID OR STRANDED	16-14 AWG SOLID OR STRANDED	16-14 AWG SOLID OR STRANDED



- 1 STAMP "AMP []", SEE TABLE APPROX AS SHOWN.
- 2 WIRE INSULATION DIA: SEE TABLE.
- 3 TONGUE MATERIAL THK: .031 ± .002.
- 4 BODY & SLEEVE: CU PER ASTM B152
BODY & SLEEVE: TIN PLATE .000100 MIN
EXT THK PER ASTM B545
INSULATION: NYLON PER ASTM D4066,
COLOR-BLUE.
- 5 APPLIES FROM EDGE OF METAL WIRE BARREL
TO CENTER OF STUD HOLE.
- 6 MEETS M7928/1-38, CLASS 1 & 2.
- 7 MEETS M7928/1-47, CLASS 1 & 2.

52274-1	14	GREEN	.078-.130	14	4
52274	16	BLUE	.063-.130	16	2 1/2
PART NO	WIRE SIZE	COLOR CODE	INSULATION DIA	WIRE STAMPING	SHIP SIZE

500	LOOSE PIECE			52274-1
500	LOOSE PIECE			52274
QTY	PACKAGE TYPE	MATERIAL FINISH	PART NO	

CUSTOMER SERVICE SYSTEMS		MAX RECOMMENDED OPERATING TEMPERATURE: 170°C MAX	THIS DRAWING IS A CONTROLLED DOCUMENT.		DWN JR RUTH 13JAN10	TE Connectivity				
FOR ADDITIONAL PRODUCT INFORMATION OR COPIES OF DRAWINGS AND TECHNICAL DOCUMENTS	PRODUCT INFORMATION CENTER 1-800-522-6752	VOLTAGE RATING: 300 V MAX	DIMENSIONS: INCHES	TOLERANCES UNLESS OTHERWISE SPECIFIED:	CHK T MICHIELUTTI 13JAN10				NAME	
FOR APPLICATION TOOLING INFORMATION	TOOLING ASSISTANCE CENTER 1-800-722-1111	CIRCULAR MIL AREA: 1.04-2.62mm² [2,050-5,180] STRANDED OR SOLID		0 PLC ± - 1 PLC ± - 2 PLC ± - 3 PLC ± .008 4 PLC ± - ANGLES ± -	APVD T MICHIELUTTI 13JAN10	PRODUCT SPEC				
FOR ORDER ENTRY	1-800-526-5142		MATERIAL SEE TABLE	FINISH SEE TABLE	PRODUCT SPEC	APPLICATION SPEC	SIZE	CAGE CODE	DRAWING NO	RESTRICTED TO
					WEIGHT	A3 00779		C-52274		
					CUSTOMER DRAWING			SCALE	SHEET	REV
								5:1	1 OF 1	H