

4

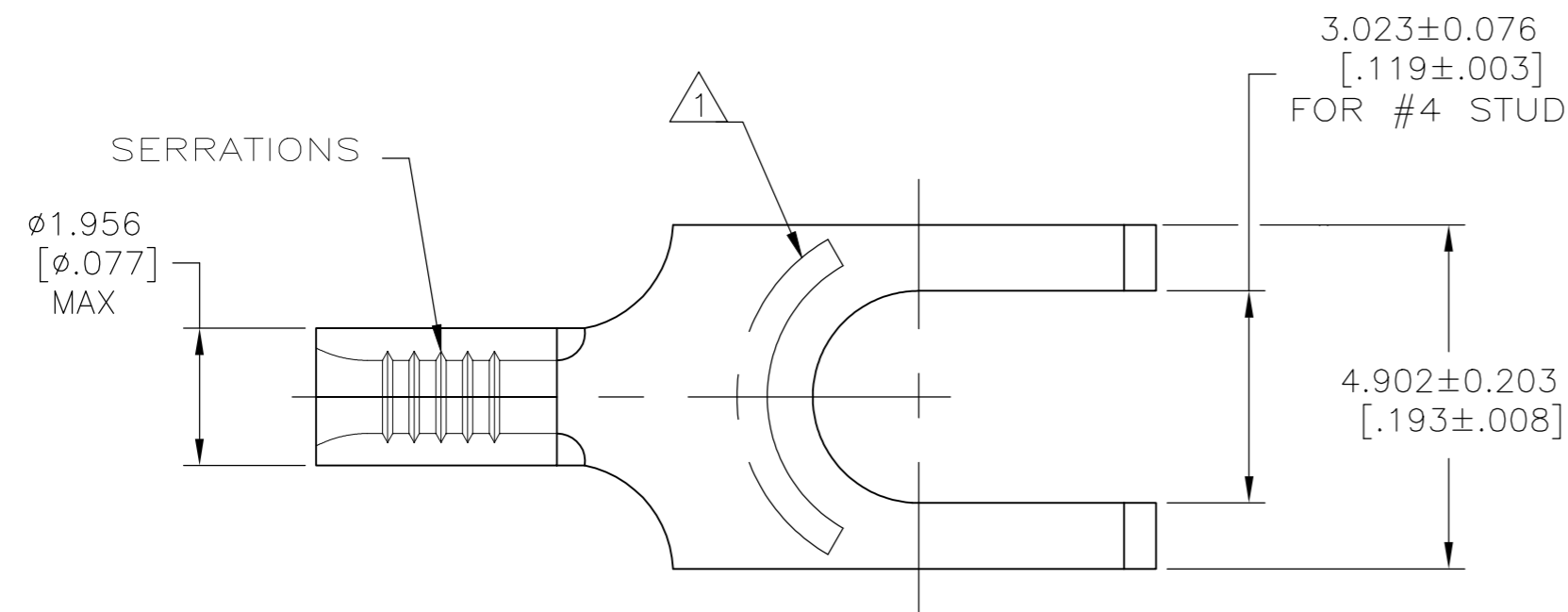
3

2

1

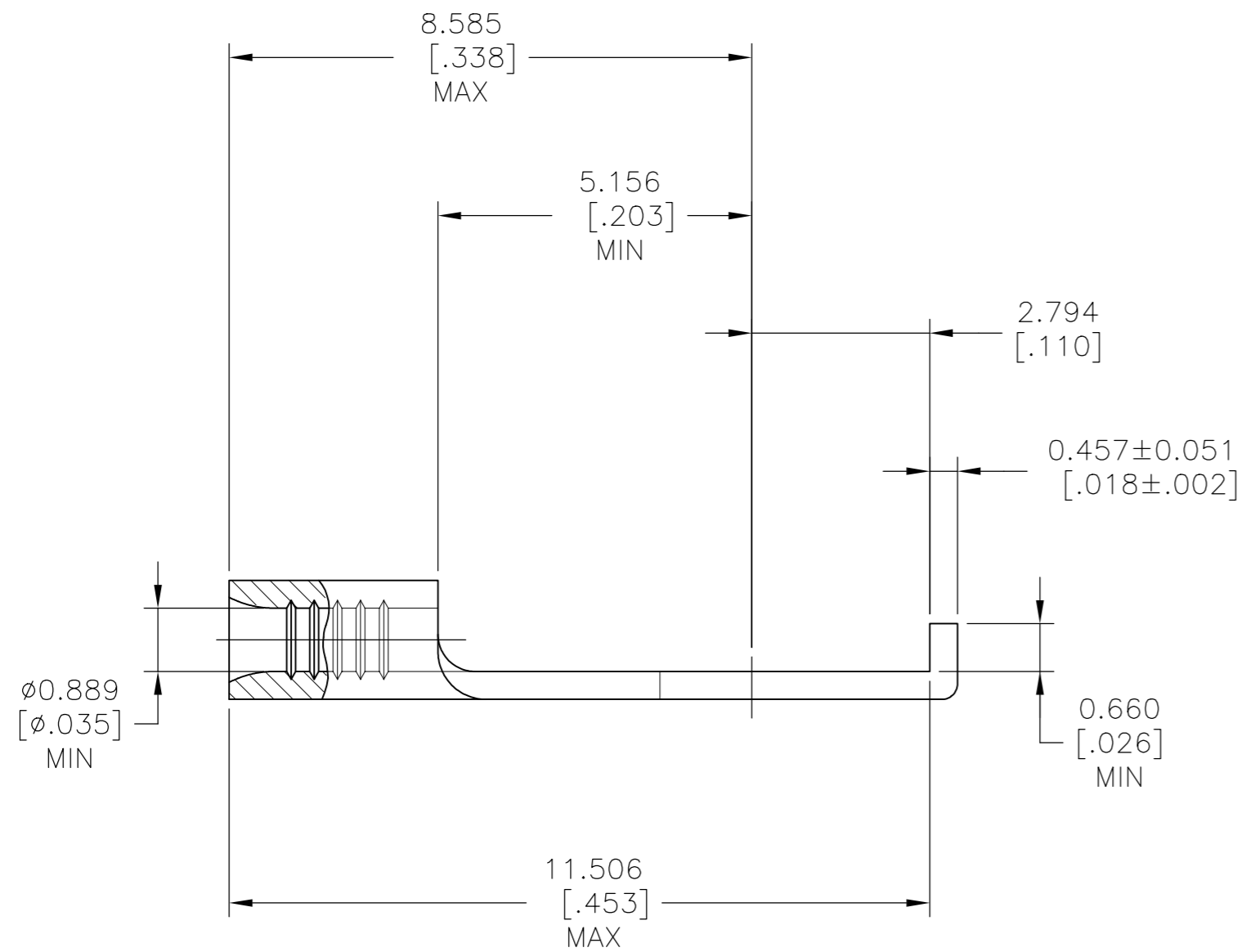
THIS DRAWING IS UNPUBLISHED. RELEASED FOR PUBLICATION
 © COPYRIGHT - TE Connectivity Ltd. ALL RIGHTS RESERVED.

REVISIONS					
P	LTR	DESCRIPTION	DATE	DWN	APVD
	O	RELEASED PER 0720-008-93	3-1-93	-	DAP
	A	REVISED PER ECO-18-013301	23AUG2018	RS	DR



AMP
 WIRE RANGE
 26-22 AWG
 STRANDED

△ 1 STAMP AMP APPROX AS SHOWN



1000	LOOSE PIECE	52512-1
QTY	PACKAGE TYPE	PART NO

AMP INCORPORATED CUSTOMER SERVICE SYSTEMS		
FOR ADDITIONAL PRODUCT INFORMATION OR COPIES OF DRAWINGS AND TECHNICAL DOCUMENTS	PRODUCT INFORMATION CENTER 1-800-522-6752	MAX RECOMMENDED OPERATING TEMPERATURE: 170°C [338°F] MAX
FOR APPLICATION TOOLING INFORMATION	TOOLING ASSISTANCE CENTER 1-800-722-1111	VOLTAGE RATING: NOT APPLICABLE
FOR ORDER ENTRY	1-800-526-5142	WIRE CROSS SECTIONAL AREA RANGE, 0.1-0.41mm²[202-810] CIR MILS STRANDED

THIS DRAWING IS A CONTROLLED DOCUMENT.		DWN TA BRINKMAN 3-1-93	1000		LOOSE PIECE	52512-1
DIMENSIONS: mm [INCHES]		CHK DA PATTERSON 3-1-93	QTY		PACKAGE TYPE	PART NO
TOLERANCES UNLESS OTHERWISE SPECIFIED:		APVD DE MILLER 3-1-93	TE Connectivity Ltd.			
0 PLC ± - 1 PLC ± - 2 PLC ± - 3 PLC ± 0.127[.005] 4 PLC ± - ANGLES ± -		NAME	TERMINAL, FLANGED SPADE, BUDGET 26-22 AWG			
MATERIAL COPPER PER ASTM B-152 ANNEALED		PRODUCT SPEC	SIZE	CAGE CODE	DRAWING NO	RESTRICTED TO
FINISH TIN PLATE 0.00254[.000100] MIN THK PER ASTM B545		APPLICATION SPEC	A2	00779	C=52512	-
CUSTOMER DRAWING		WEIGHT	SCALE	SHEET	REV	
		-	10:1	1 of 1	A	