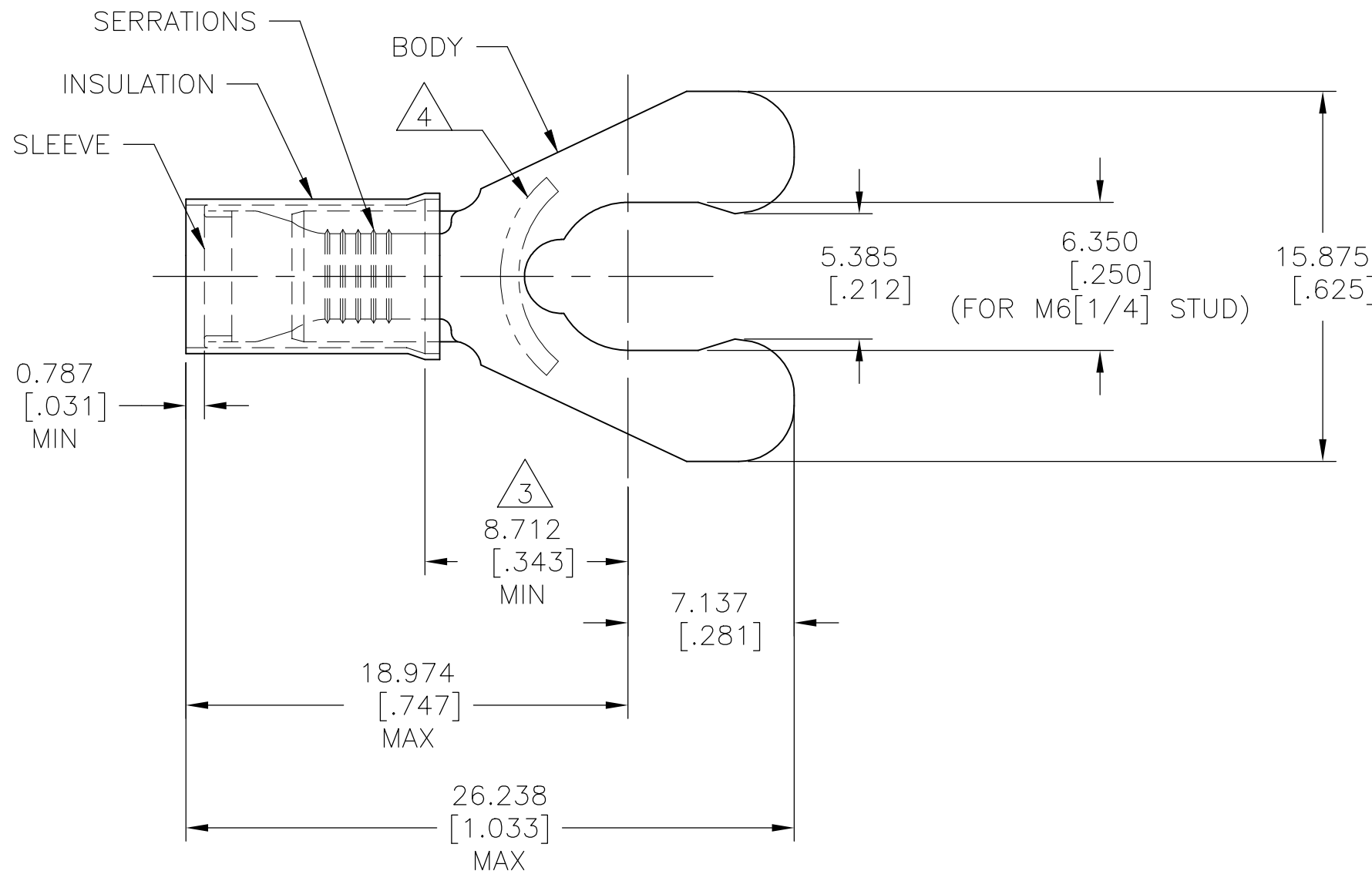


P	LTR	DESCRIPTION	DATE	DWN	APVD
	K	REV PER ECR 10-005107	08MAR10	JR	TM
	K1	REVISED PER ECO-17-008114	30MAY2018	RS	DR

AMP WIRE RANGE	E13288 Listed	LR7189 Certified
16-14 AWG SOLID OR STRANDED	16-14 AWG SOLID OR STRANDED	16-14 AWG SOLID OR STRANDED



- 1 FOR WIRE INSULATION DIA OF 2.921 TO 4.318 [.115 TO .170]
- 2 BODY MATERIAL THK IS 0.787±0.051 [.031±.002]
- 3 APPLIES FROM EDGE OF METAL WIRE BARREL TO CENTER OF STUD HOLE
- 4 STAMP " 1/4 S AMP 16-14* ", LOCATED APPROX AS SHOWN
- 5 MATERIAL:
BODY: PHOS. BRONZE PER ASTM B103
SLEEVE: COPPER PER ASTM B152
INSULATION: NYLON
- 6 FINISH:
BODY & SLEEVE: TIN PLATE PER ASTM B545
INSULATION: COLOR - BLUE

1000	LOOSE PIECE, BOX	52939
QTY	DESCRIPTION	PART NO.

AMP INCORPORATED
CUSTOMER SERVICE SYSTEMS

THIS DRAWING IS A CONTROLLED DOCUMENT.

DWN	JR RUTH	25OCT01
CHK	MS FEHER	25OCT01
APVD	T MICHIELUTTI	25OCT01



FOR ADDITIONAL PRODUCT INFORMATION OR COPIES OF DRAWINGS AND TECHNICAL DOCUMENTS	PRODUCT INFORMATION CENTER 1-800-522-6752
FOR APPLICATION TOOLING INFORMATION	TOOLING ASSISTANCE CENTER 1-800-722-1111
FOR ORDER ENTRY	1-800-526-5142

MAX RECOMMENDED OPERATING TEMPERATURE: 105°C [221°F] MAX
VOLTAGE RATING: 300 V MAX
WIRE CROSS SECTIONAL AREA RANGE, 1.04-2.62mm²[2,050-5,180] CIR MILS SOLID OR STRANDED

DIMENSIONS: mm [INCHES]	TOLERANCES UNLESS OTHERWISE SPECIFIED: 0 PLC ± - 1 PLC ± - 2 PLC ± - 3 PLC ± 0.127[.005] 4 PLC ± - ± 5°
	FINISH

NAME	WIRE TERMINAL, PIDG, SPRING SPADE, (STUB) 16-14 AWG
PRODUCT SPEC	UL 486 A-B
APPLICATION SPEC	114-2157
WEIGHT	A3 00779 C-52939
CUSTOMER DRAWING	SCALE 4:1

SIZE	CAGE CODE	DRAWING NO	RESTRICTED TO
A3	00779	C-52939	-
SHEET 1 OF 1		REV K1	