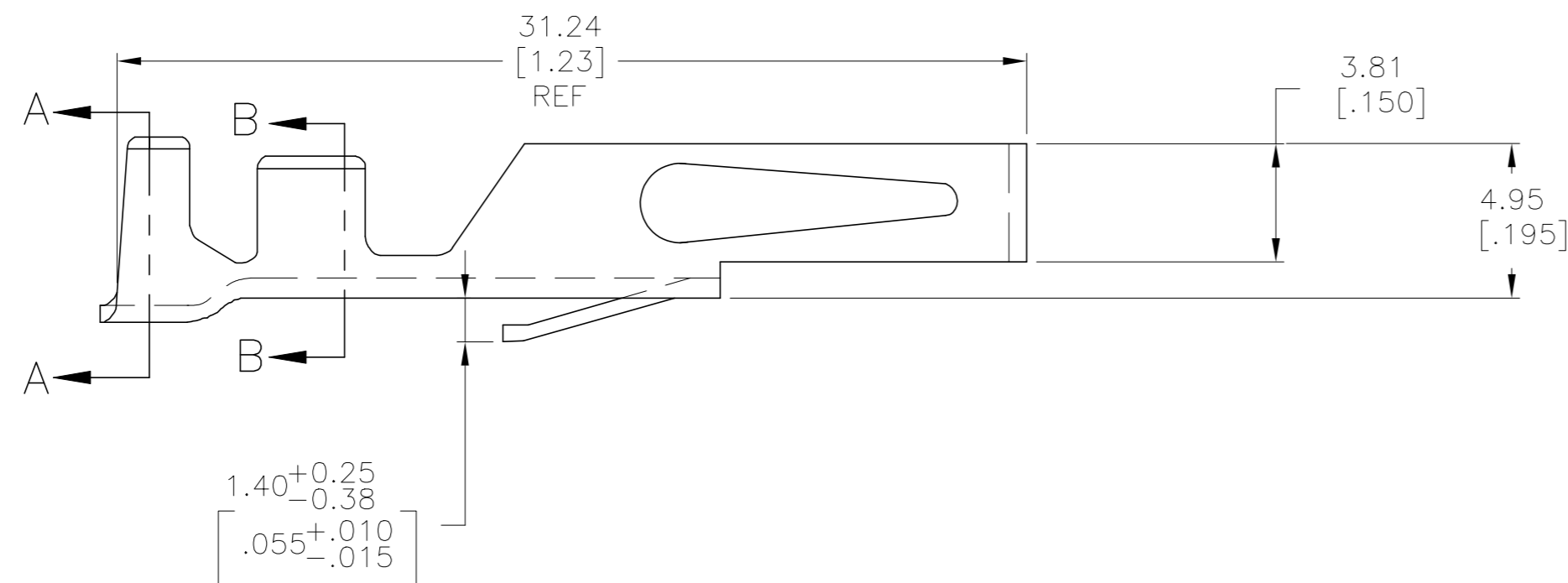
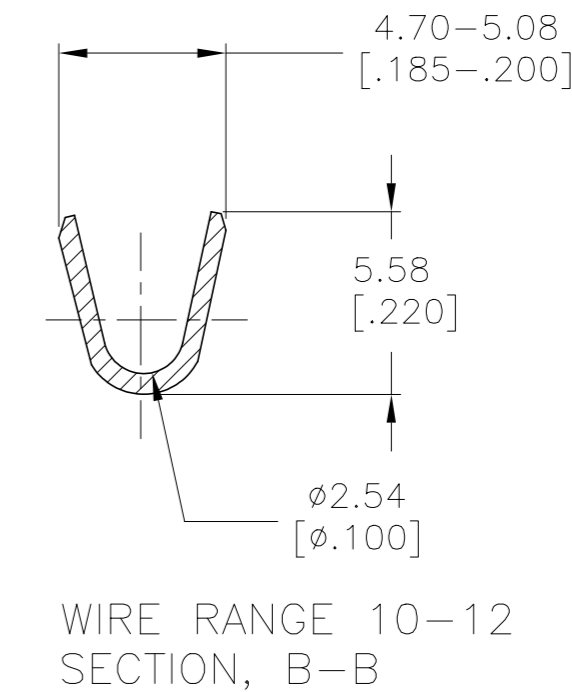
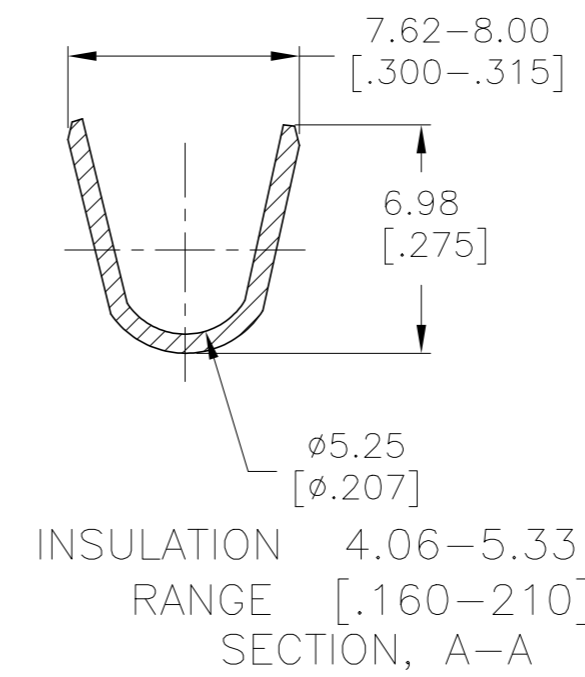
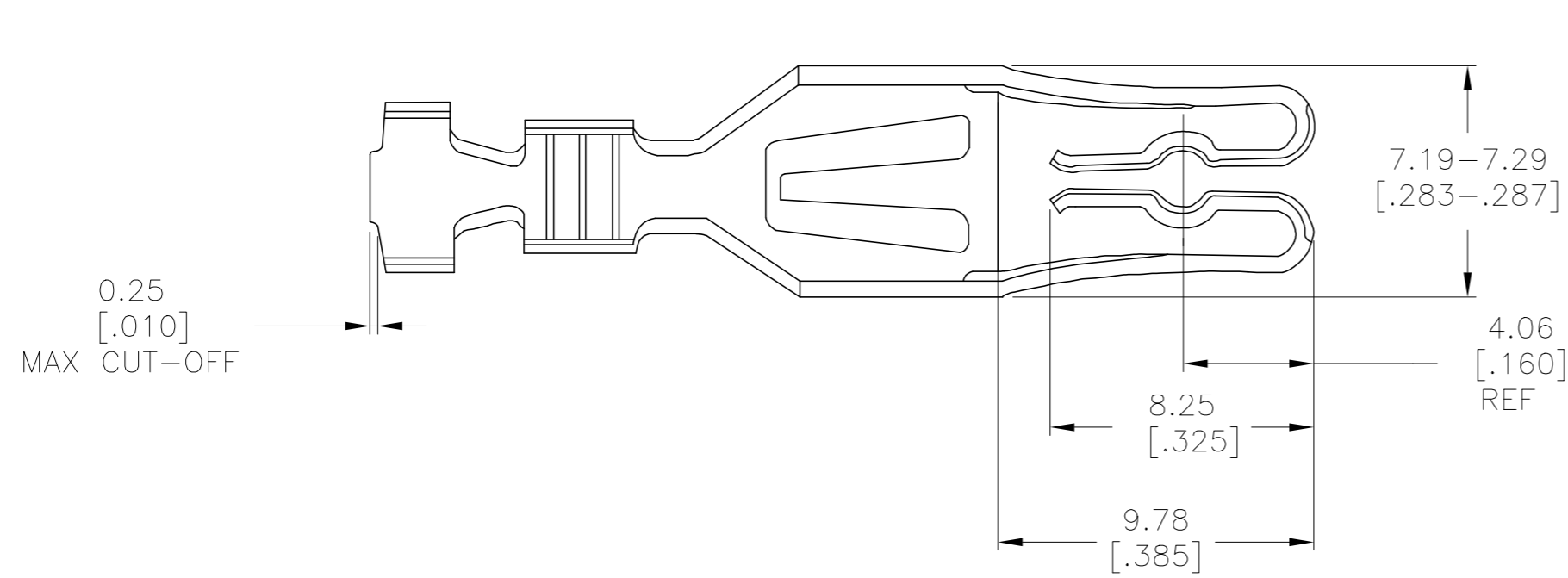


THIS DRAWING IS UNPUBLISHED. RELEASED FOR PUBLICATION
 © COPYRIGHT - By - ALL RIGHTS RESERVED.

REVISIONS					
P	LTR	DESCRIPTION	DATE	DWN	APVD
	F	REVISED PER ECO-16-006308	08AUG2016	NK	MM
	F1	REVISED PER ECO-19-019022	18DEC2019	RS	JO



- 1 0.0038 (.000150) MIN BRIGHT TIN-LEAD OVER 0.00076 (.000030) MIN NICKEL.
- 2 0.0038 (.000150) MIN MATTE TIN OVER 0.00076 (.000030) MIN NICKEL.

2	5-530520-1
1	530520-1
FINISH	PART NO

THIS DRAWING IS A CONTROLLED DOCUMENT.		DWN	15 MAY 75	TE TE Connectivity	
		CHK	15 MAY 75		
DIMENSIONS: mm [INCHES]		APVD	16 MAY 75	NAME	
		TOLERANCES UNLESS OTHERWISE SPECIFIED:		PRODUCT SPEC	
		0 PLC ± - 1 PLC ± - 2 PLC ± - 3 PLC ± .005 4 PLC ± - ANGLES ± -		APPLICATION SPEC	
MATERIAL ALLOY CDA-194		FINISH		WEIGHT	
		1 2		SCALE 5:1	
		CUSTOMER DRAWING		RESTRICTED TO	
		SIZE A2 CAGE CODE 00779 DRAWING NO C=530520		SHEET 1 of 1 REV F1	