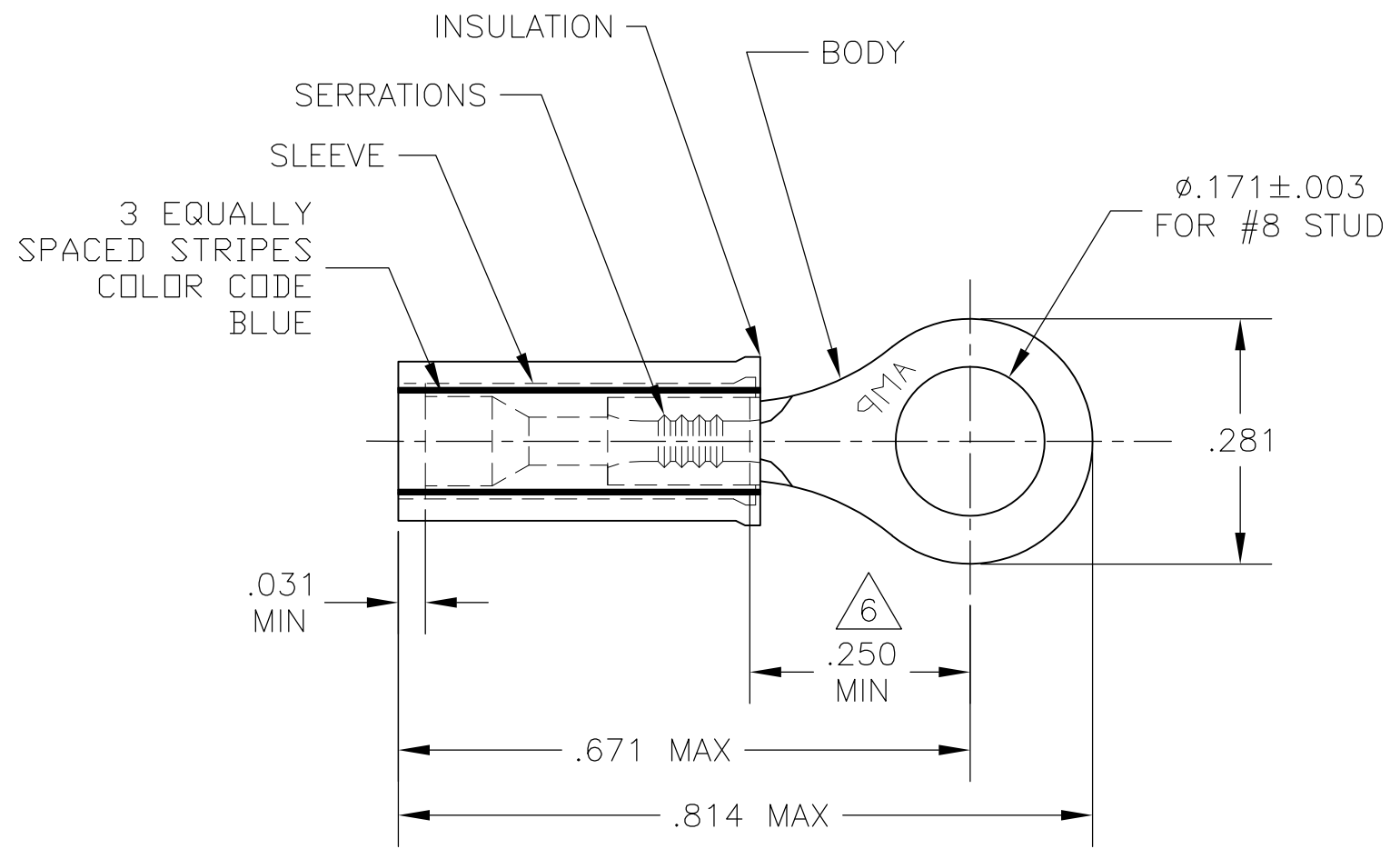


THIS DRAWING IS UNPUBLISHED. RELEASED FOR PUBLICATION
 © COPYRIGHT - By - ALL RIGHTS RESERVED.

LOC	DIST	REVISIONS					
		P	LTR	DESCRIPTION	DATE	DWN	APVD
G	14		F	REVISED PER ECO-14-015277	11FEB2015	NK	DR



- 1 MUST BE CRIMPED WITH A 22-18 OR 22-16 PIDG (RED) TOOL.
- 2 WIRE INSULATION DIA: .031-.055.
- 3 TONGUE MATERIAL THK: .027±.002.
- △4 BODY & SLEEVE: TIN .000100 MIN THK PER ASTM B545.
- △5 MATERIAL: BODY & SLEEVE- CU PER ASTM B152 INSULATION - NYLON PER ASTM D4066 COLOR - YELLOW.
- △6 APPLIES FROM EDGE OF METAL BBL TO THE CENTER OF STUD HOLE.
- △7 MEETS M7928/1-9, CLASS 1 & 2.

1000	LOOSE PIECE	△7 53056
QTY	PACKAGE TYPE	PART NO.

CUSTOMER SERVICE SYSTEMS		MAX RECOMMENDED OPERATING TEMPERATURE: 150°C MAX	THIS DRAWING IS A CONTROLLED DOCUMENT.		DWN JR RUTH 14JAN10	STE TE Connectivity			
FOR ADDITIONAL PRODUCT INFORMATION OR COPIES OF DRAWINGS AND TECHNICAL DOCUMENTS	PRODUCT INFORMATION CENTER 1-800-522-6752	VOLTAGE RATING: 300 V MAX	DIMENSIONS: INCHES	TOLERANCES UNLESS OTHERWISE SPECIFIED:	CHK T MICHELUTTI 15JAN10				NAME
FOR APPLICATION TOOLING INFORMATION	TOOLING ASSISTANCE CENTER 1-800-722-1111	CIRCULAR MIL AREA: 0.10-0.26mm ² [202-509] STRANDED		0 PLC ± - 1 PLC ± - 2 PLC ± .008 3 PLC ± - 4 PLC ± - ANGLES ± -	APVD T MICHELUTTI 15JAN10	TERMINAL, RING TONGUE, PIDG, INSULATION RESTRICTING WIRE SIZE: 24 AWG			
FOR ORDER ENTRY	1-800-526-5142		MATERIAL △4	FINISH △5	PRODUCT SPEC ---	SIZE A3	CAGE CODE 00779	DRAWING NO C-53056	RESTRICTED TO ---
					CUSTOMER DRAWING	SCALE 4:1	SHEET 1 OF 1	REV F	