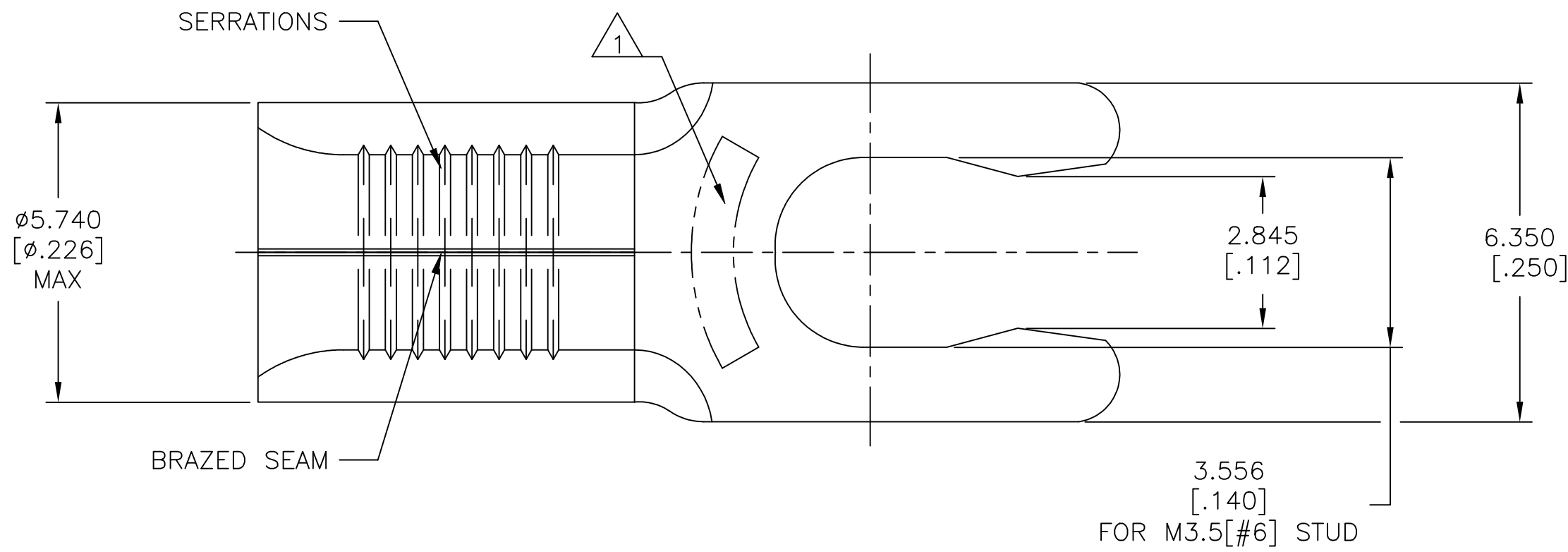


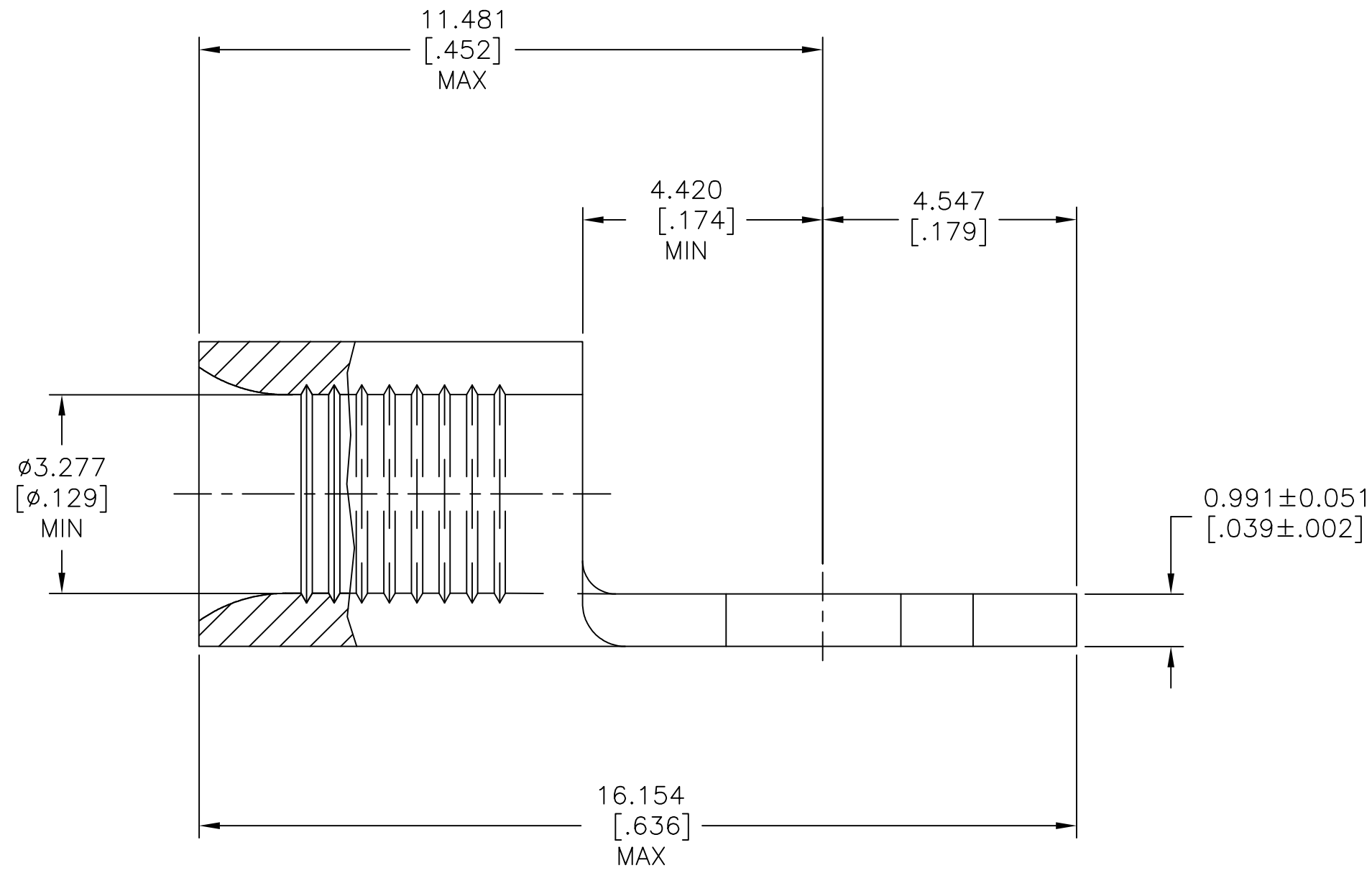
THIS DRAWING IS UNPUBLISHED. RELEASED FOR PUBLICATION
 © COPYRIGHT - TE Connectivity Ltd. ALL RIGHTS RESERVED.

REVISIONS					
P	LTR	DESCRIPTION	DATE	DWN	APVD
D		REV, RDRW, & SM PKG PER 0720-0040-93	3-29-93	-	DAP
D1		REVISED PER ECO-17-008808	09FEB2018	RS	DR



AMP WIRE RANGE	E13288 Listed
12-10 AWG SOLID OR STRANDED	12-10 AWG STRANDED
LR7189 Certified	MILITARY P/N AND CLASS
12-10 AWG SOLID OR STRANDED	NOT APPLICABLE

1 STAMP 6S AMP 12-10* APPROX AS SHOWN
 6S INDICATES STUD SIZE



2500	ON TAPE	53126-2
500	LOOSE PIECE	53126-1
QUANTITY	PACKAGING TYPE	PART NO

AMP INCORPORATED CUSTOMER SERVICE SYSTEMS			THIS DRAWING IS A CONTROLLED DOCUMENT.		DWN TA BRINKMAN 3-29-93	TE Connectivity Ltd. NAME TERMINAL, SHORT SPRING SPADE, SOLISTRAND™ 12-10 AWG
FOR ADDITIONAL PRODUCT INFORMATION OR COPIES OF DRAWINGS AND TECHNICAL DOCUMENTS	PRODUCT INFORMATION CENTER 1-800-522-6752	MAX RECOMMENDED OPERATING TEMPERATURE: 170°C [338°F] MAX	DIMENSIONS: mm [INCHES]	TOLERANCES UNLESS OTHERWISE SPECIFIED:	CHK DA PATTERSON 3-29-93	
FOR APPLICATION TOOLING INFORMATION	TOOLING ASSISTANCE CENTER 1-800-722-1111	VOLTAGE RATING: NOT APPLICABLE		0 PLC ± - 1 PLC ± - 2 PLC ± - 3 PLC ± 0.127[.005] 4 PLC ± - ANGLES ± -	APVD DE MILLER 3-29-93	
FOR ORDER ENTRY	1-800-526-5142	WIRE CROSS SECTIONAL AREA RANGE, 2.62-6.64mm²[5,180-13,100] CIR MILS SOLID OR STRANDED	MATERIAL PHOSPHOR BRONZE PER ASTM B-103 ANNEALED	FINISH TIN PLATE 0.00254[.000100] MIN THK PER ASTM B545	PRODUCT SPEC UL 486 A-B	
					APPLICATION SPEC -	SIZE A2
					WEIGHT	CAGE CODE 00779
					CUSTOMER DRAWING	DRAWING NO C=53126
					SCALE 10:1	RESTRICTED TO -
					SHEET 1 of 1	REV D1

53126