

4

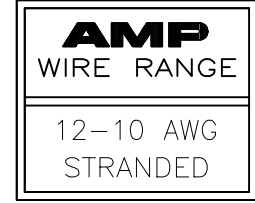
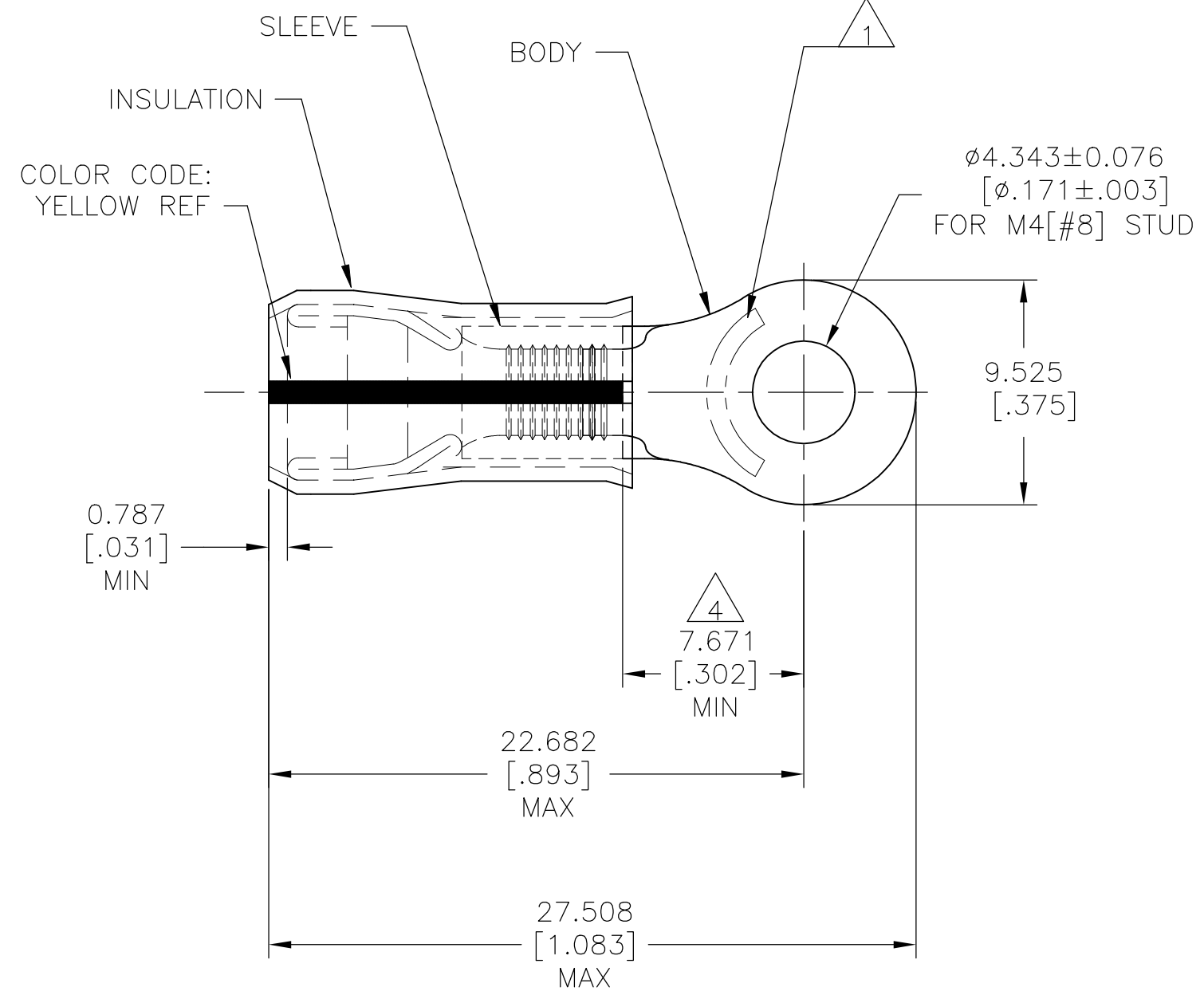
3

2

1

THIS DRAWING IS UNPUBLISHED. RELEASED FOR PUBLICATION
 © COPYRIGHT - By - ALL RIGHTS RESERVED.

REVISIONS					
P	LTR	DESCRIPTION	DATE	DWN	APVD
	S3	REVISED PER ECO-12-007718	08MAY12	KH	DR
	S4	REVISED PER ECO-17-008114	29MAY2018	RS	DR



- 1 STAMP AMP 12-10* APPROX AS SHOWN
- 2 WIRE INSULATION DIA: "A" (SEE TABLE)
- 3 BODY MATERIAL THK: 0.991±0.051[.039±.002]
- 4 APPLIES FROM EDGE OF METAL WIRE BARREL TO CENTER OF STUD HOLE
- 5 MEETS M7928/4-156, CLASS 1 & 2
MEETS M7928/13-156, CLASS 1 & 2
- 6 MEETS M7928/4-156, CLASS 2
- 7 MATERIAL:
BODY & SLEEVE: COPPER PER ASTM B152
INSULATION: PVF2
- 8 FINISH:
BODY & SLEEVE: TIN-LEAD (93-7) PLATE PER ASTM B545 (3% MIN LEAD CONTENT)
INSULATION: COLOR - NATURAL

2500	ON TAPE	3.810-5.842	6 53424-2
500	LOOSE PIECE	[.150-.230]	5 53424-1
QTY	PACKAGE TYPE	"A"	PART NO

AMP INCORPORATED
CUSTOMER SERVICE SYSTEMS

FOR ADDITIONAL PRODUCT INFORMATION OR COPIES OF DRAWINGS AND TECHNICAL DOCUMENTS
 PRODUCT INFORMATION CENTER
 1-800-522-6752

FOR APPLICATION TOOLING INFORMATION
 TOOLING ASSISTANCE CENTER
 1-800-722-1111

FOR ORDER ENTRY
 1-800-526-5142

MAX RECOMMENDED OPERATING TEMPERATURE:
 150°C [302°F] MAX

VOLTAGE RATING:
 -

CIRCULAR MIL AREA:
 2.62-6.64mm² [5,180-13,100] STRANDED

THIS DRAWING IS A CONTROLLED DOCUMENT.

DIMENSIONS: mm [INCHES]

TOLERANCES UNLESS OTHERWISE SPECIFIED:

0 PLC	± -
1 PLC	± -
2 PLC	± -
3 PLC	± 0.127[.005]
4 PLC	± -
ANGLES	± -

MATERIAL 7 FINISH 8

DWN 16OCT07
 JR RUTH
 CHK 16OCT07
 T MICHIELUTTI
 APVD 16OCT07
 T MICHIELUTTI
 PRODUCT SPEC
 APPLICATION SPEC
 WEIGHT
 CUSTOMER DRAWING

TE TE Connectivity Ltd.

NAME
 TERMINAL, RING TONGUE,
 PVF2, P.I.D.G.
 WIRE SIZE: 12-10 AWG

SIZE A3 CAGE CODE 00779 DRAWING NO C-53424 RESTRICTED TO -

SCALE 4:1 SHEET 1 OF 1 REV S4