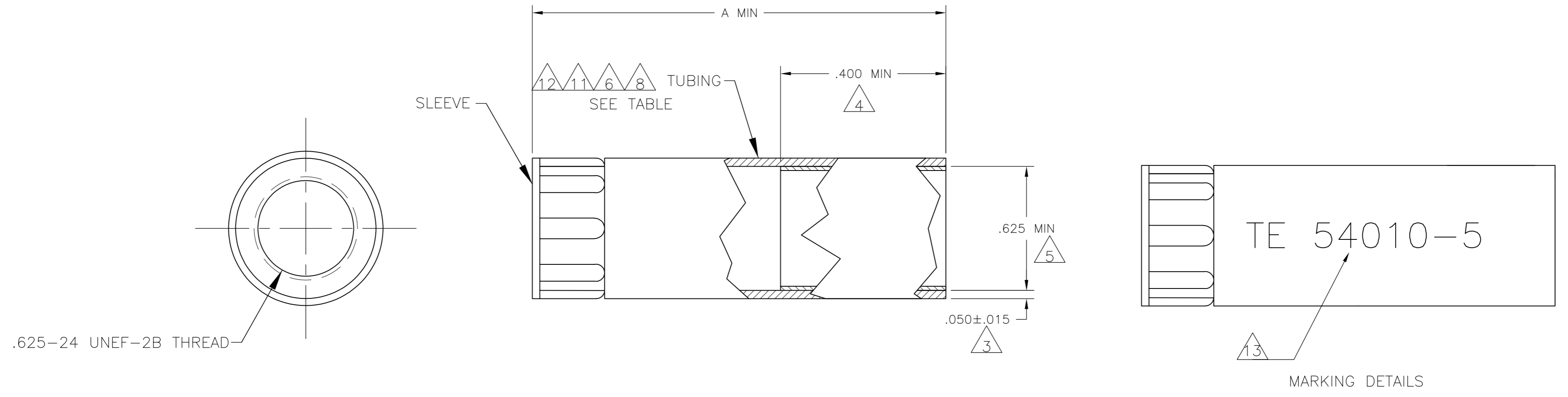


THIS DRAWING IS UNPUBLISHED. RELEASED FOR PUBLICATION  
 © COPYRIGHT - By - ALL RIGHTS RESERVED.

REVISIONS				
P	LTR	DESCRIPTION	DATE	APVD
AC1		REVISED PER ECO-14-008433	05JUN2014	NK MZ
AD		REVISED PER ECO-17-000037	10MAR2017	RS MZ



- 1 POLYOLEFIN, BLACK.
- 2 NYLON, BLACK.
- 3 NOMINAL WALL THICKNESS, EXPANDED.
- 4 LENGTH OF SEALANT.
- 5 EXPANDED INSIDE DIAMETER.
- 6 6.35[.250] MAXIMUM RECOVERED INSIDE DIAMETER.
- 7 ASSEMBLY WILL PASS 0.0703 KG PER SQ CENTIMETER [ONE POUND PER SQ IN.] WATER PRESSURE TEST.
- 8 121°C [250°F] SHRINK TEMPERATURE.
- 9 -55°C TO 110°C [-67°F TO 230°F] OPERATING TEMPERATURE.
- 10 THIS PART WILL ACCOMODATE  $\phi 6.35 - \phi 15.24$  [ $\phi .250 - \phi .600$ ] CABLE RANGE.
- 11 4.06 [.160] MAXIMUM RECOVERED INSIDE DIAMETER.
- 12 ACTUAL SHAPE MAY VARY DUE TO PROCESS VARIANCE.
- 13 SEE P/N CHART FOR MARKING. WHITE CHARACTERS .150 MIN HIGH AND LOCATED ON THE OUTSIDE SURFACE OF THE TUBING.
- 14 OBSOLETE PART.

TE 54010-5	6 8	2.25	14 54010-5
NONE	11 8	2.25	54010-4
NONE	6 8	1.25	54010-2
NONE	6 8	2.25	54010-1
MARKING	RECOVERED INSIDE DIS	A	PART NUMBER

THIS DRAWING IS A CONTROLLED DOCUMENT.

DWN	C.REIFSNYDER	09 APR 96	 TE Connectivity		
CHK	R.STONE	15 APR 95			
APVD	T.A.WETZEL	03 MAY 96			
PRODUCT SPEC	NAME				
APPLICATION SPEC	NAME		STRAIN RELIEF ASSY, SHELL SIZE 11, CPC		
WEIGHT	-	A2	00779	C=54010	RESTRICTED TO
CUSTOMER DRAWING	SCALE	2:1	SHEET	1 of 1	REV