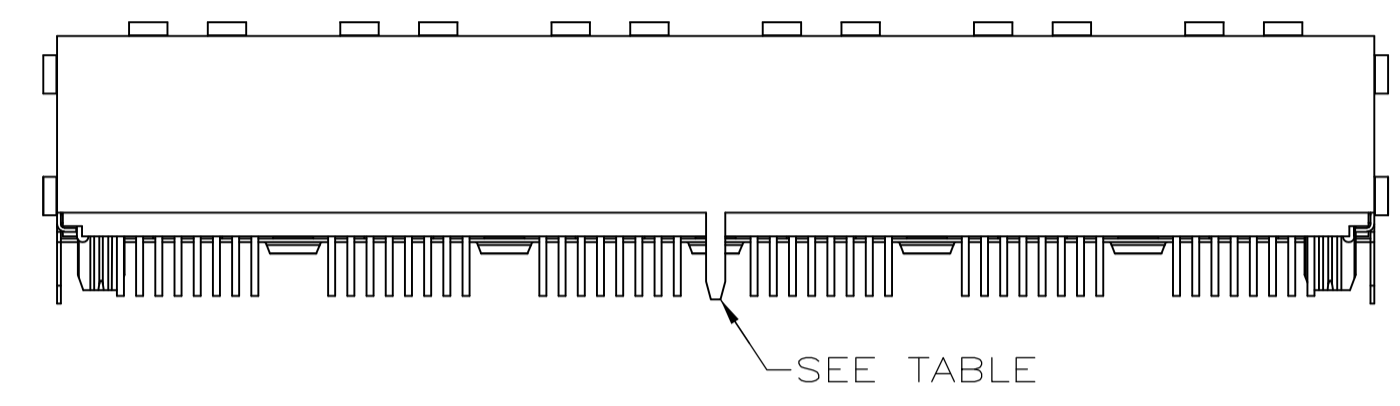
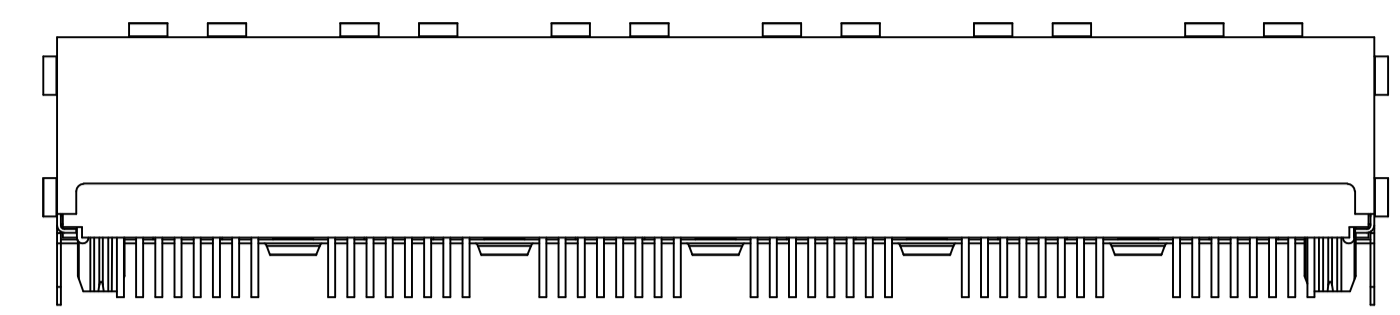
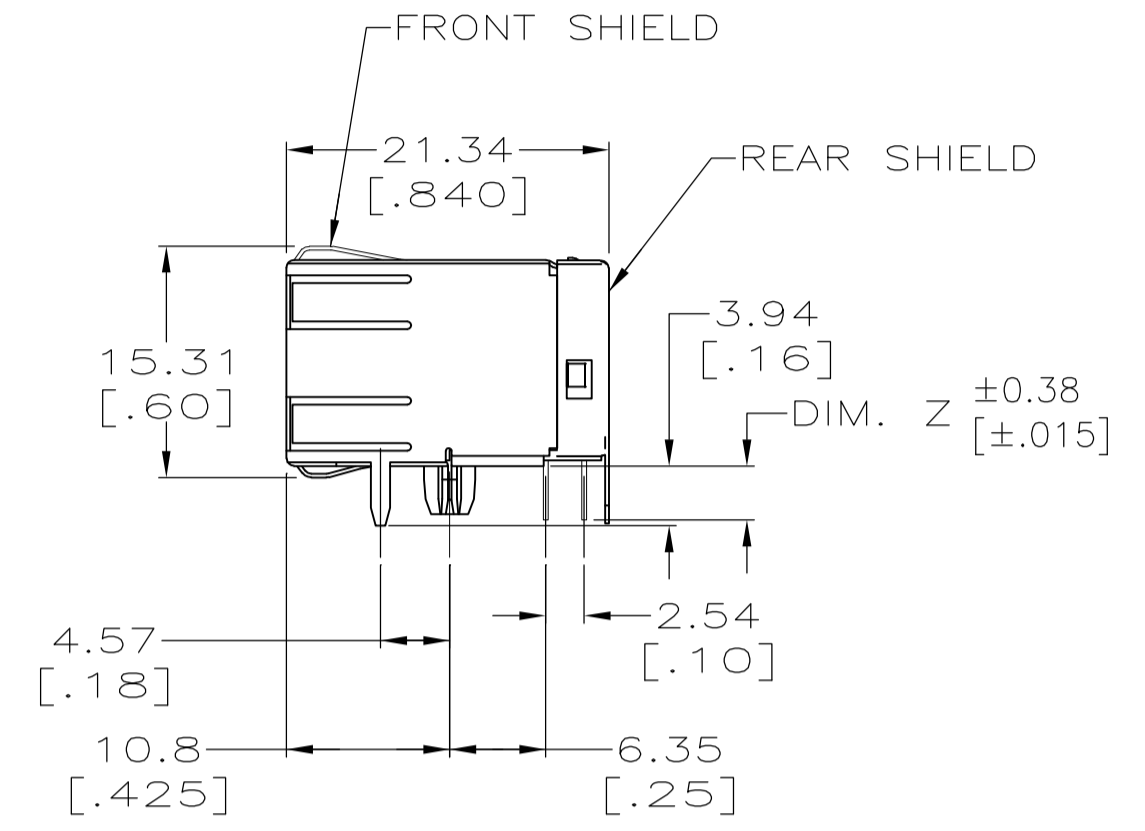
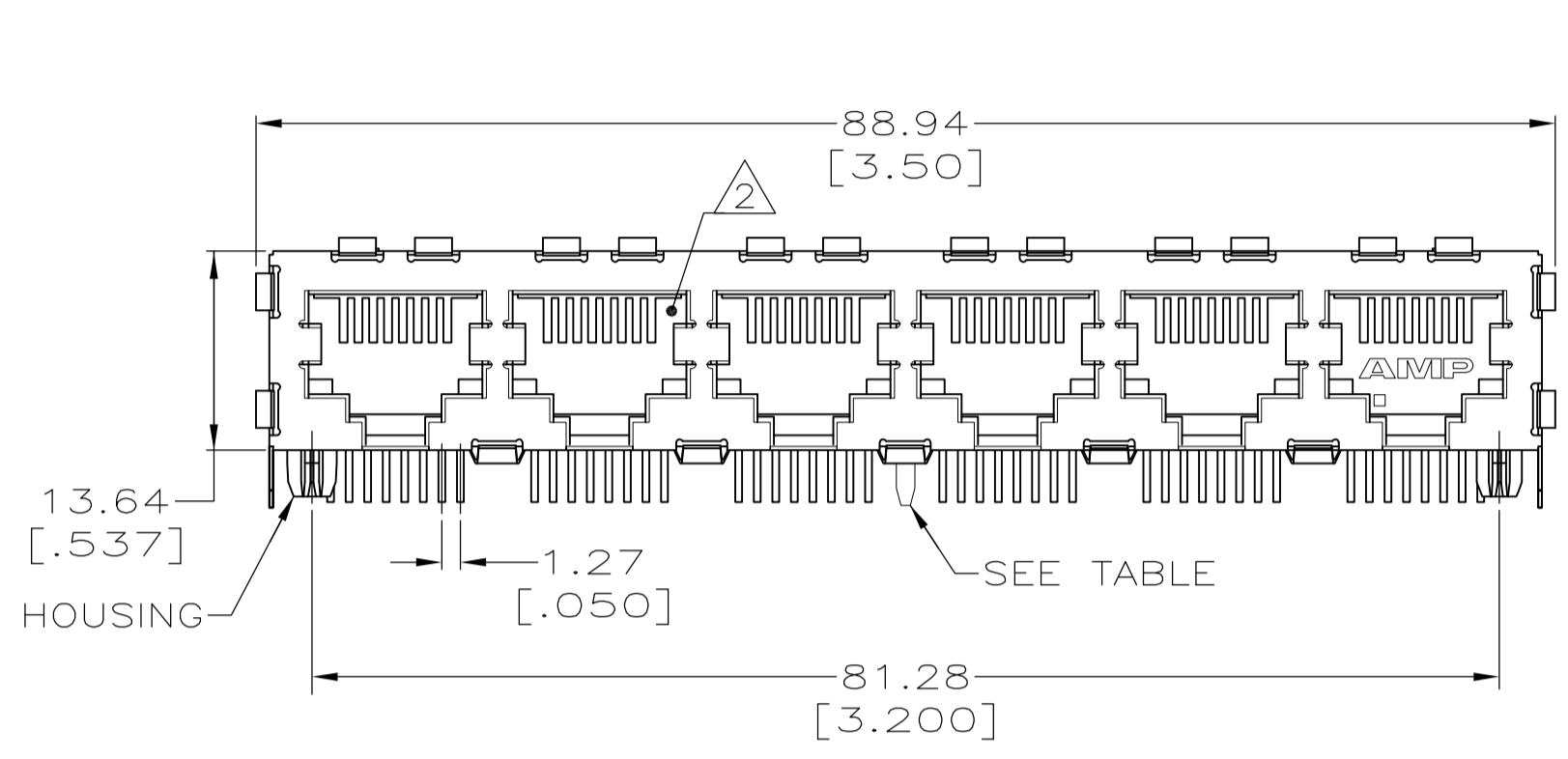


REVISIONS					
REV	DATE	DESCRIPTION	BY	CHK	APPV
E	11JUL2016	ECO-16-010227		LL	SH



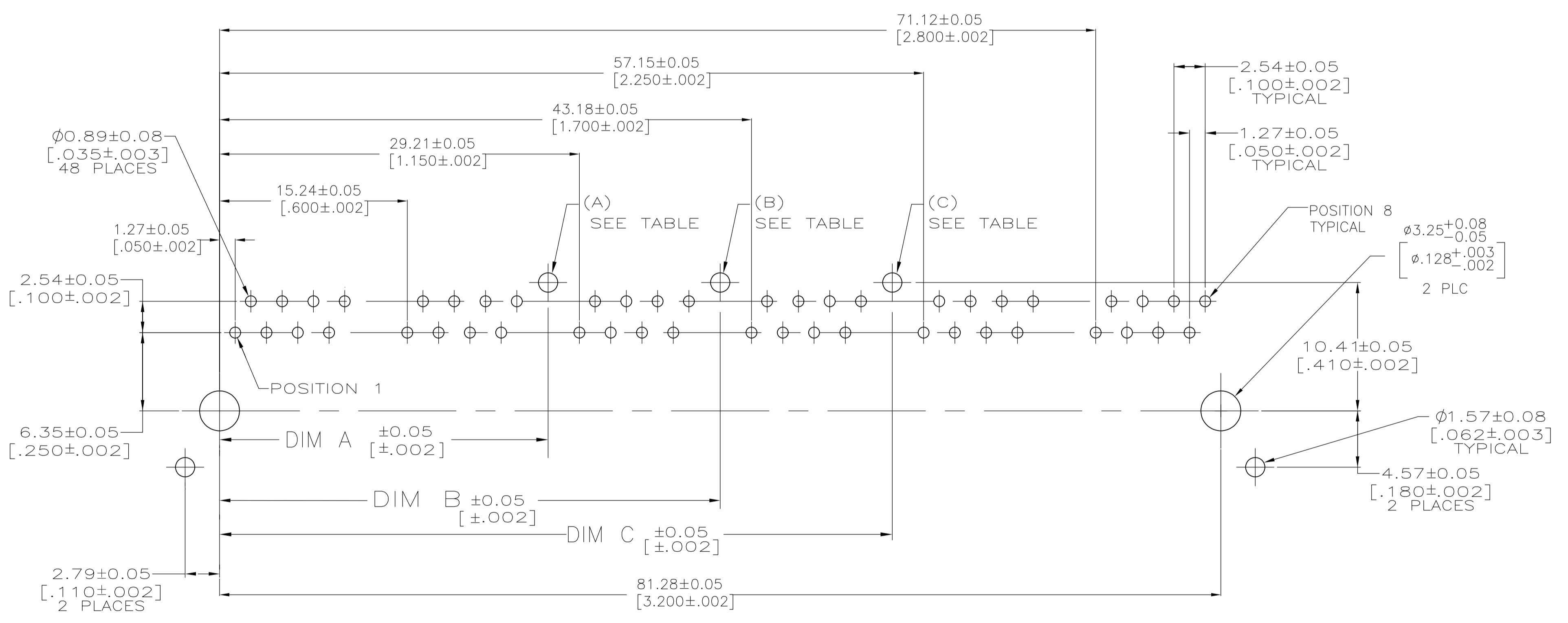
MATERIAL: HOUSING - NYLON, BLACK, UL 94V-0.  
 OVERMOLDED TERMINAL ARRAY - PBT, BROWN.  
 TERMINALS - 0.33[.013] THICK PHOS BRONZE PLATED WITH 1.27  $\mu\text{m}$ [.000050] MINIMUM HARD GOLD IN LOCALIZED AREA AND 3.81  $\mu\text{m}$ [.000150] MINIMUM MATTE TIN IN SOLDER AREA OVER 1.27  $\mu\text{m}$ [.000050] MINIMUM NICKEL UNDERPLATE.  
 SHIELDS - 0.25 [.010] THICK COPPER ALLOY PLATED WITH 1.27  $\mu\text{m}$ [.000050] MINIMUM NICKEL AND 2.03  $\mu\text{m}$ [.000080] MINIMUM HOT TIN DIP ON PCB GROUND TABS.

JACK CAVITY CONFORMS TO FCC RULES AND REGULATIONS, PART 68 SUBPART F.

OBSOLETE PARTS: OBSOLETE CIS STREAMLINING PER D.RENAUD/D.SINISI

ENLARGED THE DISTANCE BETWEEN THE CONTACTS AND SHIELD

MATERIAL: HOUSING - NYLON, BLACK, UL 94V-0.  
 OVERMOLDED TERMINAL ARRAY - PBT, BROWN.  
 TERMINALS - 0.33[.013] THICK PHOS BRONZE PLATED WITH 0.76  $\mu\text{m}$ [.000030] MINIMUM HARD GOLD IN LOCALIZED AREA AND 3.81  $\mu\text{m}$ [.000150] MINIMUM MATTE TIN IN SOLDER AREA OVER 1.27  $\mu\text{m}$ [.000050] MINIMUM NICKEL UNDERPLATE.  
 SHIELDS - 0.25 [.010] THICK COPPER ALLOY PLATED WITH 1.27  $\mu\text{m}$ [.000050] MINIMUM NICKEL AND 2.03  $\mu\text{m}$ [.000080] MINIMUM HOT TIN DIP ON PCB GROUND TABS.



RECOMMENDED PC BOARD LAYOUT  
COMPONENT SIDE (TOP)  
SCALE 4:1

REV	DATE	DESCRIPTION	BY	CHK	APPV	PART NO
3		OBSOLETE				5406206-4
						5406206-3
						5406206-2
						5406206-1

THIS DRAWING IS A CONTROLLED DOCUMENT.

DIMENSIONS: mm [INCHES]  
 TOLERANCES UNLESS OTHERWISE SPECIFIED:  
 0 PLC ± -  
 1 PLC ± -  
 2 PLC ± 0.25[.01]  
 3 PLC ± 0.13[.005]  
 4 PLC ± -  
 ANGLES ± -

MATERIAL: SEE NOTE 1  
 FINISH: SEE NOTE 1

THIS DRAWING IS A CONTROLLED DOCUMENT.  
 DIN T. SPRINKLE/L.A. MAYER 25MAY2005  
 CHK J. WESTMAN 17DEC096  
 APVD S. FLICKINGER 25MAY2005  
 NAME: MODULAR JACK ASSEMBLY, 6 PORT, 8 POSITION, SHIELDED, REVERSE PANEL GROUND TABS  
 PRODUCT SPEC: 108-1163-2  
 APPLICATION SPEC: 114-2048  
 WEIGHT: 0.000000  
 CUSTOMER DRAWING: A1 00779 ©=5406206

SIZE: A1  
 SCALE: 2:1  
 SHEET: 1 OF 1  
 REV: E