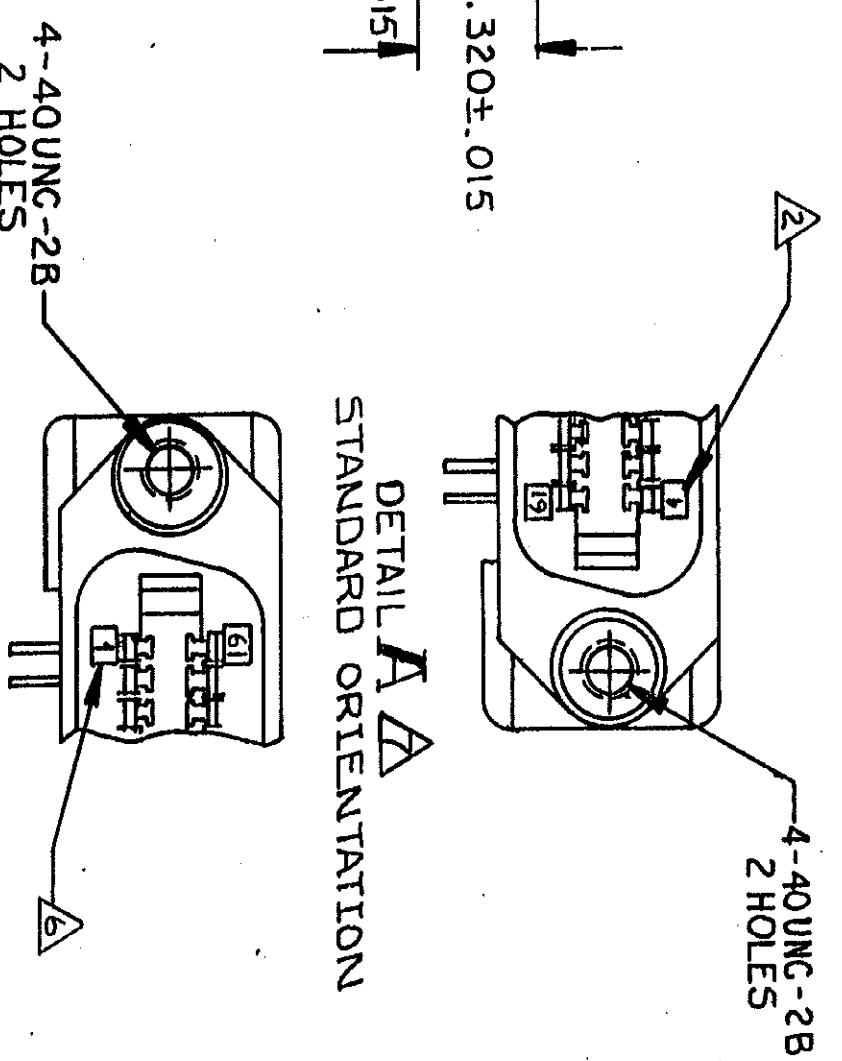
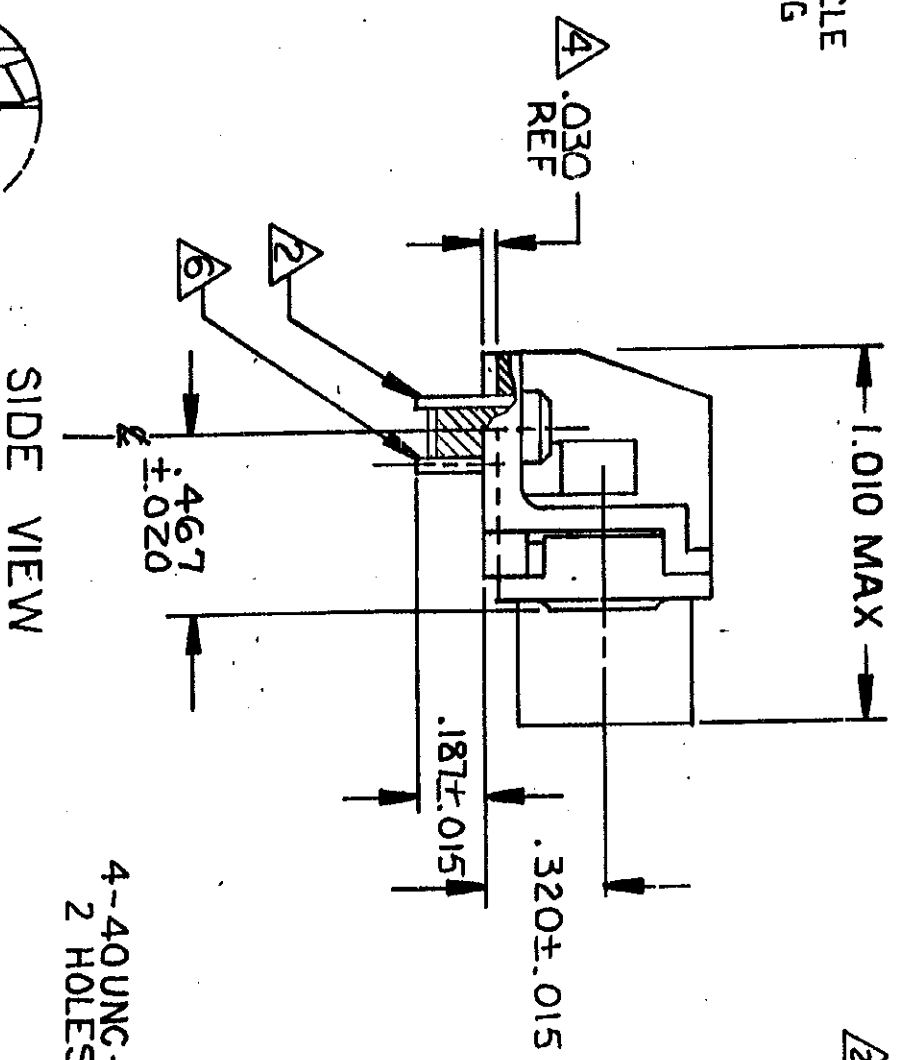
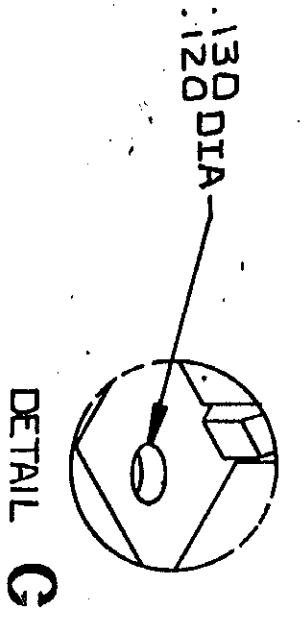
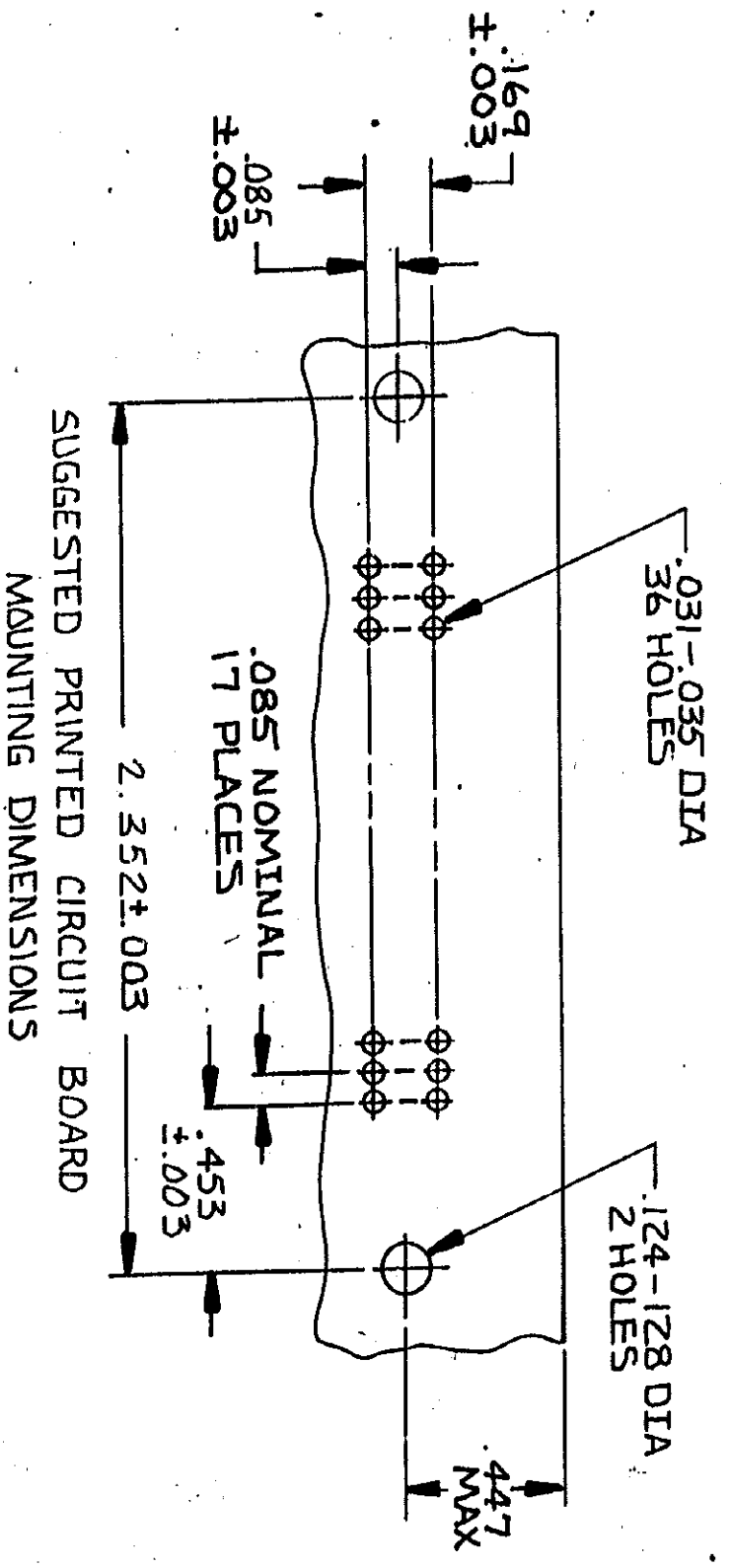
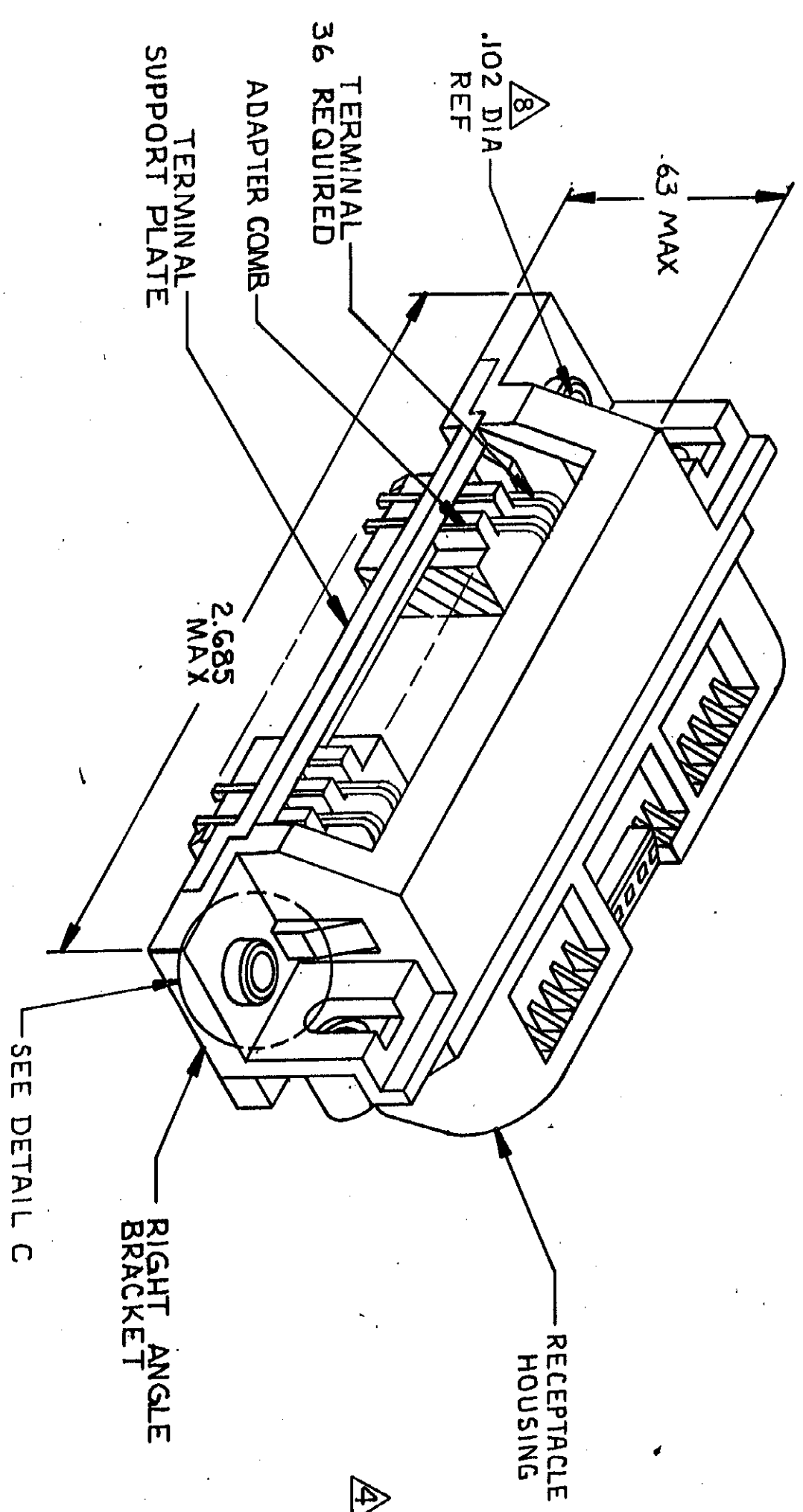
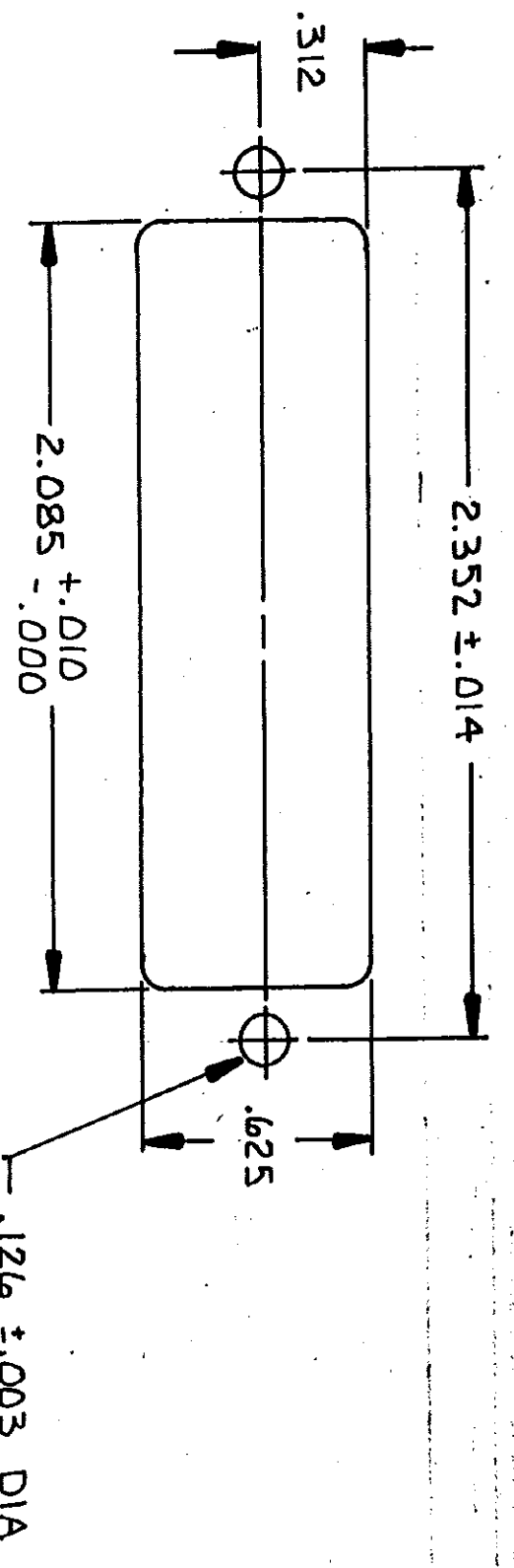


REV	DATE	APPROVED	LOC	DIST
1	5/31/82	STW	AA	21



- ▲ MATERIAL: HOUSING, BRACKET, PLATE AND COMB-THERMOPLASTIC, BLACK, 94V-0 RATED. TERMINALS-TAILS-TIN LEAD OVER NICKEL PLATED HIGH STRENGTH COPPER ALLOY. MATING SURFACE-LOCALIZED GOLD OVER NICKEL PLATED HIGH STRENGTH COPPER ALLOY.
- ▲ TERMINAL 1 LOCATED IN THIS ROW FOR 552742-1 AND -3.
- ▲ TERMINAL SUPPORT PLATE CLEARANCE FOR TERMINAL STRAIN RELIEF AND FLUX REMOVAL.
- ▲ PANEL THICKNESS RANGE: .062.
- ▲ TERMINAL 1 LOCATED IN THIS ROW FOR 552742-2 & -4.
- ▲ DETAILS A & B ARE VIEWED FROM MATING SIDE OF RECEPTACLE ASSEMBLY.
- ▲ FOR USE WITH A NO. 4 BT TYPE SELF-TAPPING SCREW.

UNLESS OTHERWISE SPECIFIED DIMENSIONS ARE IN INCHES. TOLERANCES ON: DECIMALS ± .005 ANGLES ± .005		CONTRACT NO.		AMP INCORPORATED Harrisburg, Pa. 17105	
MATERIAL		DR 0. Note 2-10-82		NAME ASSEMBLY, RECEPTACLE, 36 POSITION, RIGHT ANGLE, PRINTED CIRCUIT BOARD (CHAMP-LOK, THRU-BOLT & SELF-TAPPING)	
FINISH		CHK MDP/ML 2/26/82		SIZE FSCM NO. 00779	
APPROVED		APPROVED		DRAWING NO. 552742	
DESIGN APPROVED		OTHER APPROVED		SCALE 2/1	
SHEET 1 OF 1		SHEET 1 OF 1		SHEET 1 OF 1	