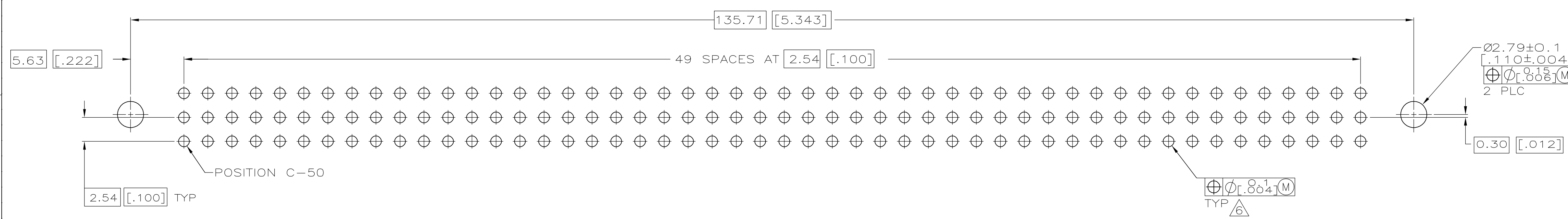
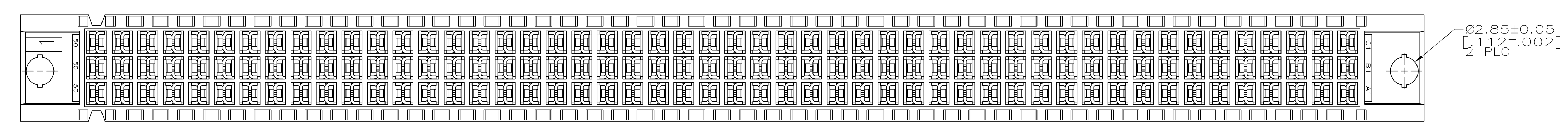
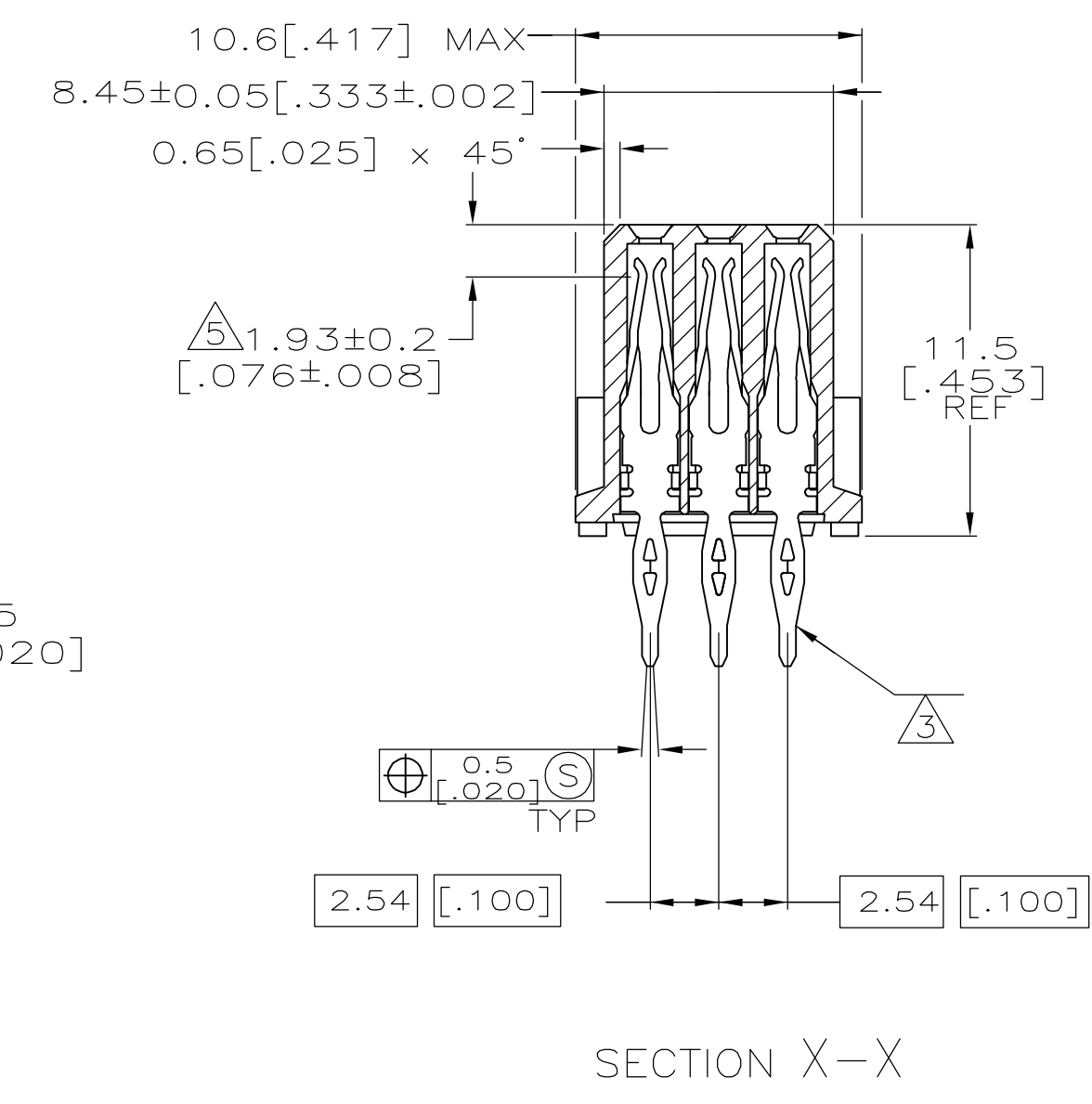
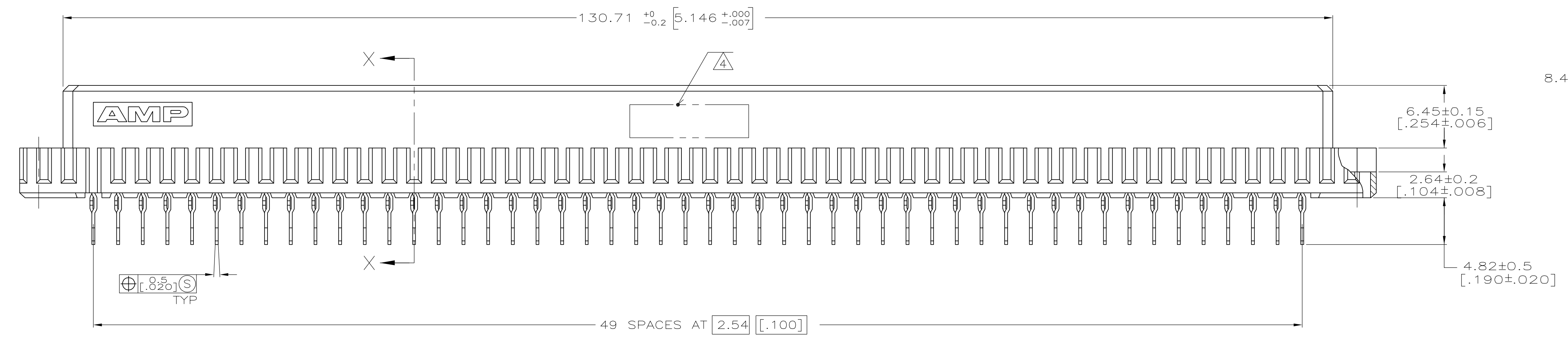
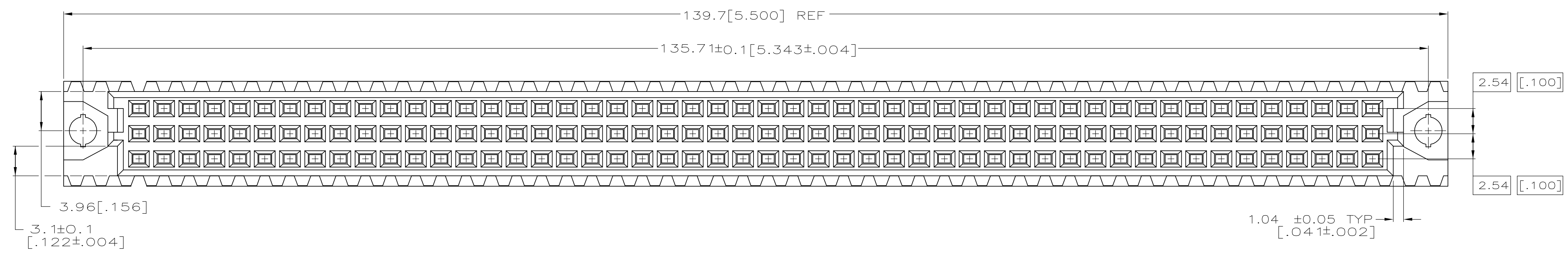


LOC		DIST		REVISIONS			
F	LTR	DESCRIPTION	DATE	DWN	APVD		
0		RELEASE PER EC 0512-0082-05	03JUN05	JDP	AMS		

- ① HOUSING MATERIAL: GLASS-FILLED POLYMER.
- ② CONTACT MATERIAL: COPPER ALLOY.
- ③ CONTACT FINISH: DIN 41612 CLASS 2 IN CONTACT AREA. TIN PLATE ON TAILS.
- ④ PART NUMBER, DATE CODE IDENTIFICATION, CSA LOGO IN THIS APPROXIMATE AREA, ON REVERSE SIDE.
- ⑤ CONTACT POINT.
- ⑥ ACTION PIN POSTS REQUIRE 1.57[.062] MIN THICK PC BOARD. RECOMMENDED PC BOARD HOLES ARE  $\varnothing 1.151 \pm 0.02$  [.0453  $\pm$  .001] DRILLED HOLE WITH 0.02-0.07 [.001-.003] COPPER AND 0.008 [.0003] MIN TIN-LEAD PLATING. FINISHED HOLE AFTER PLATING,  $\varnothing 0.94-1.09$  [.037-.043].



PC BOARD LAYOUT

5535080-5  
 ASSY PART NUMBER

THIS DRAWING IS A CONTROLLED DOCUMENT.		DWN: J. POLIGNONE	03JUN05	Tyco Electronics Corporation Harrisburg, Pa 17105-3608
DIMENSIONS: mm [INCHES]		CHK: A. SHARPE	03JUN05	
TOLERANCES UNLESS OTHERWISE SPECIFIED:		APPD: A. SHARPE	03JUN05	NAME: ASSEMBLY, RECEPTACLE, EUROCARD, TYPE C, LEAD-FREE, 150POSITION, 4.83[.190] TOOLLESS, PRESS-FIT
0 PLC ± - 1 PLC ± - 2 PLC ± 0.15[.005] 3 PLC ± - 4 PLC ± - ANGLES ± - FINISH ③		PRODUCT SPEC: -	APPLICATION SPEC: -	SIZE: A1
MATERIAL: ①/②		WEIGHT: -	DRAWING NO: 00779	RESTRICTED TO: -
		CUSTOMER DRAWING	SCALE: 4:1	SHEET: 1 OF 1