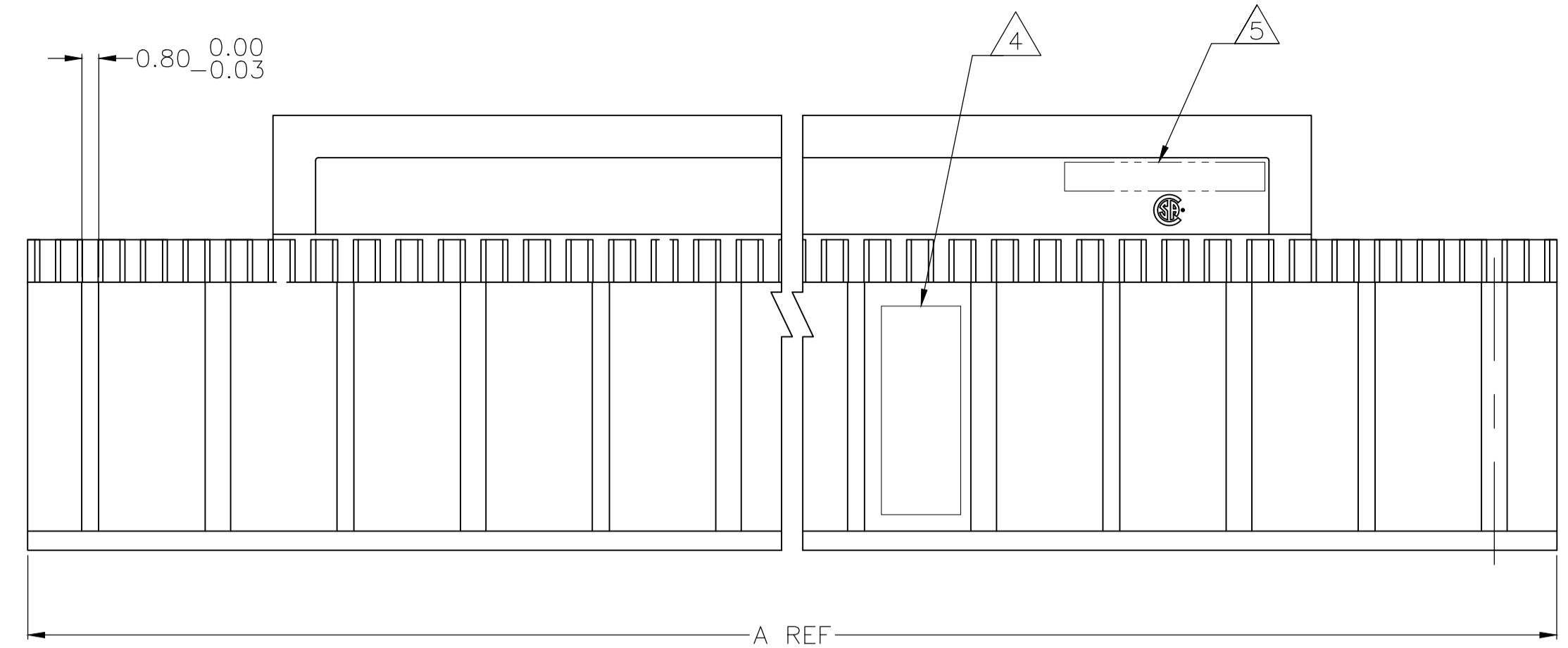
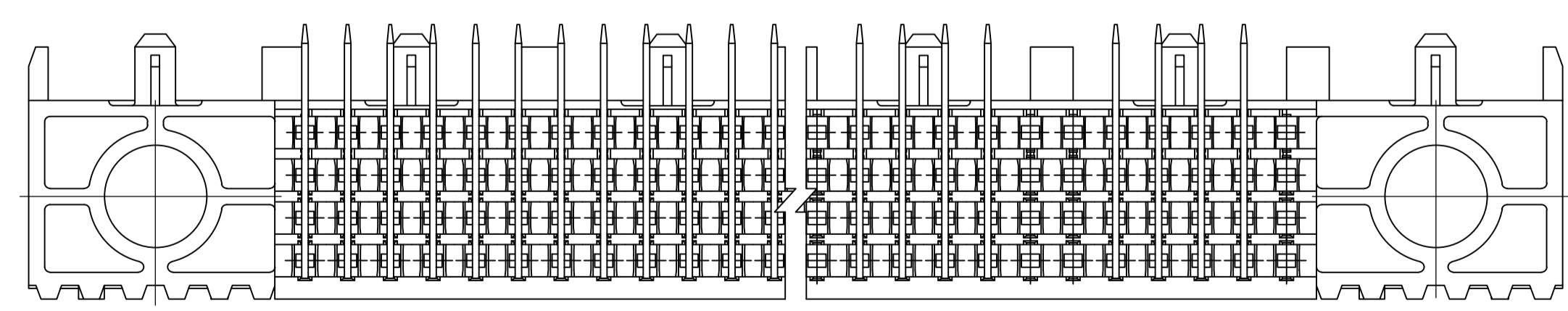
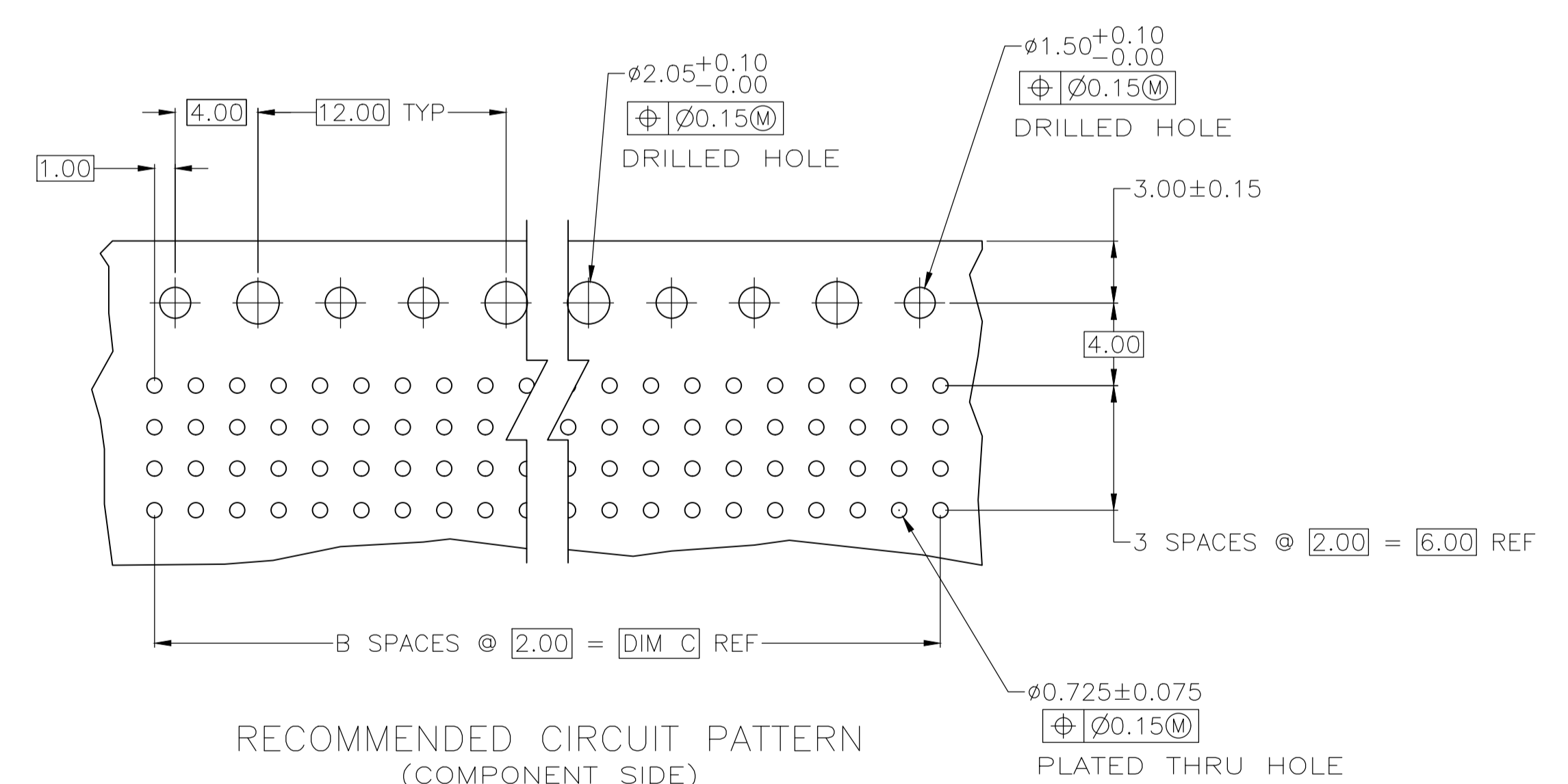
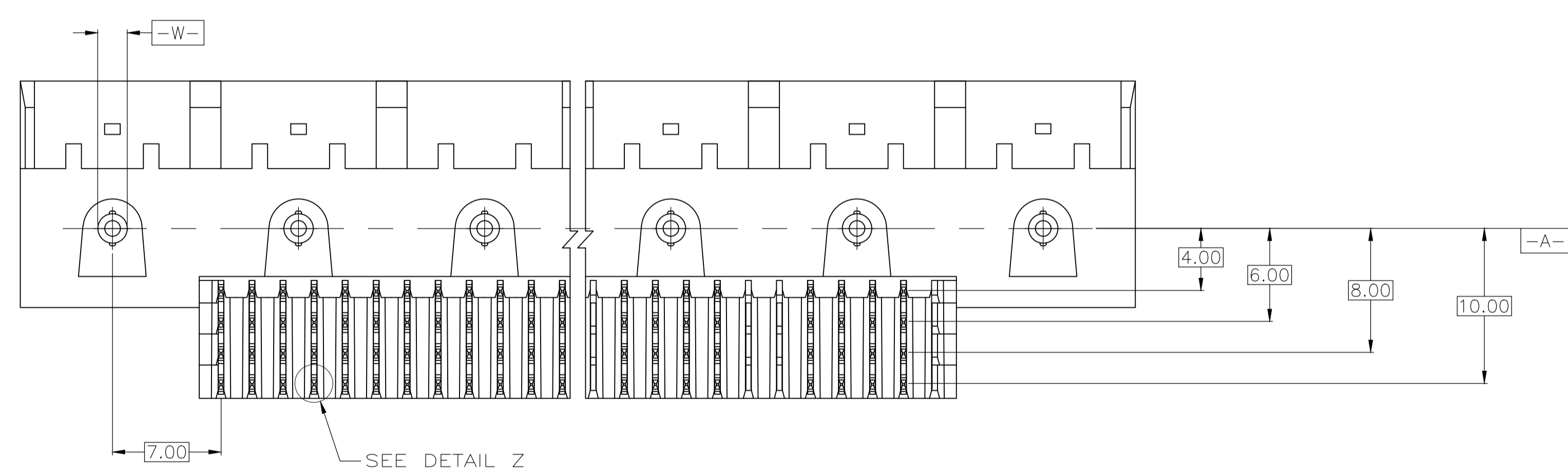
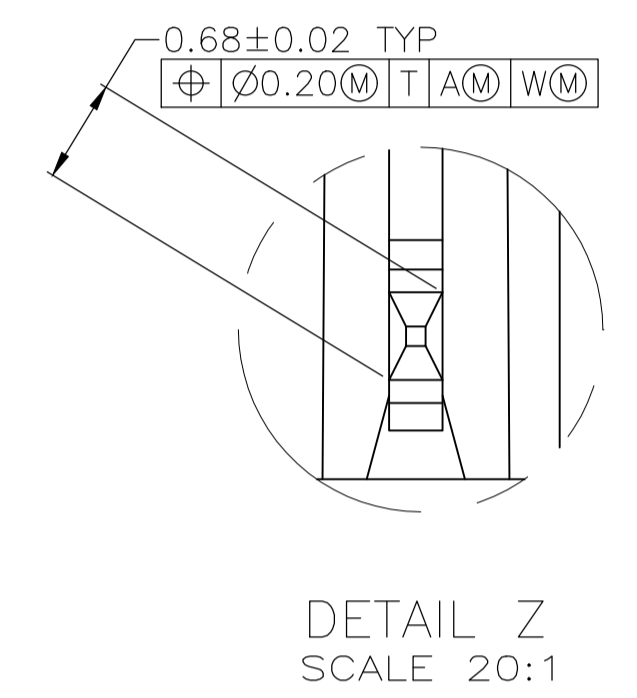
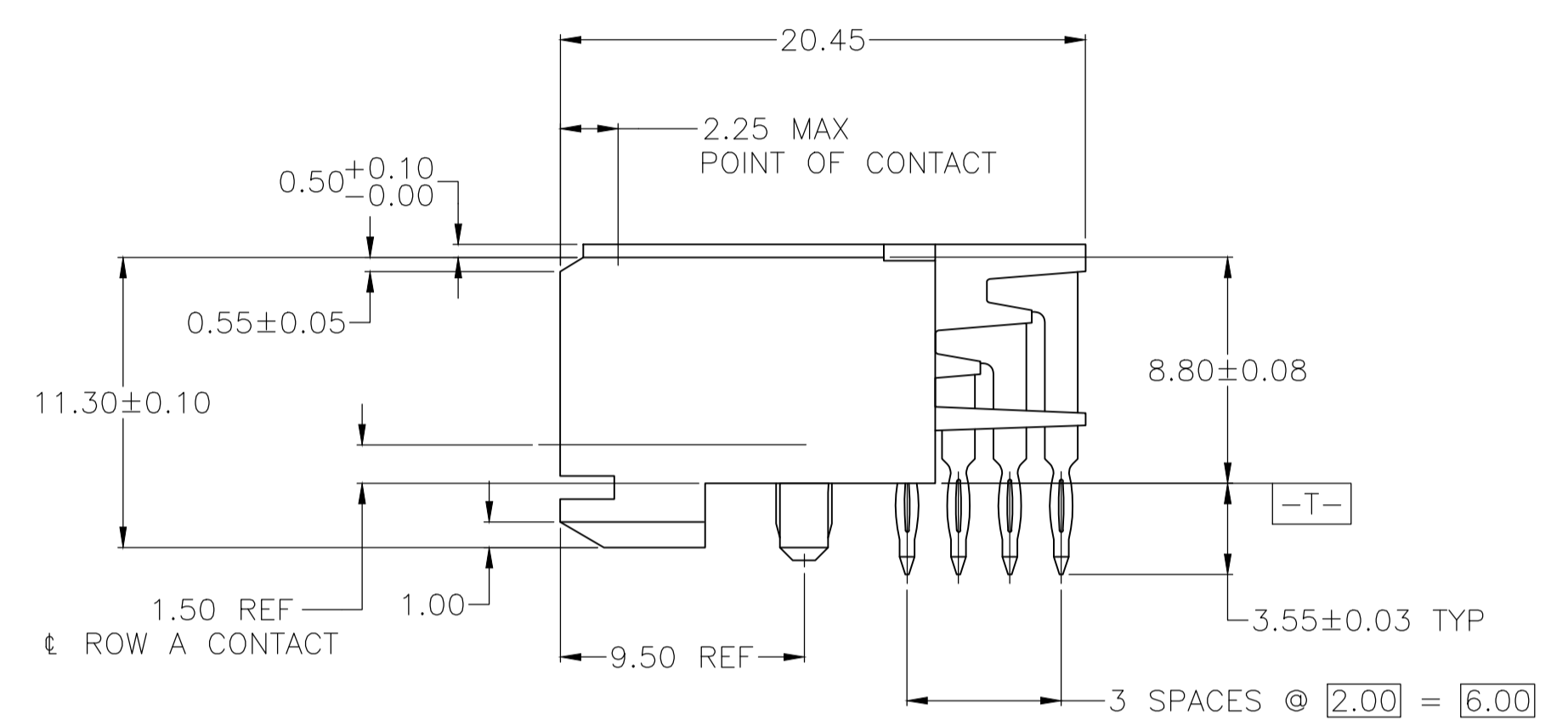
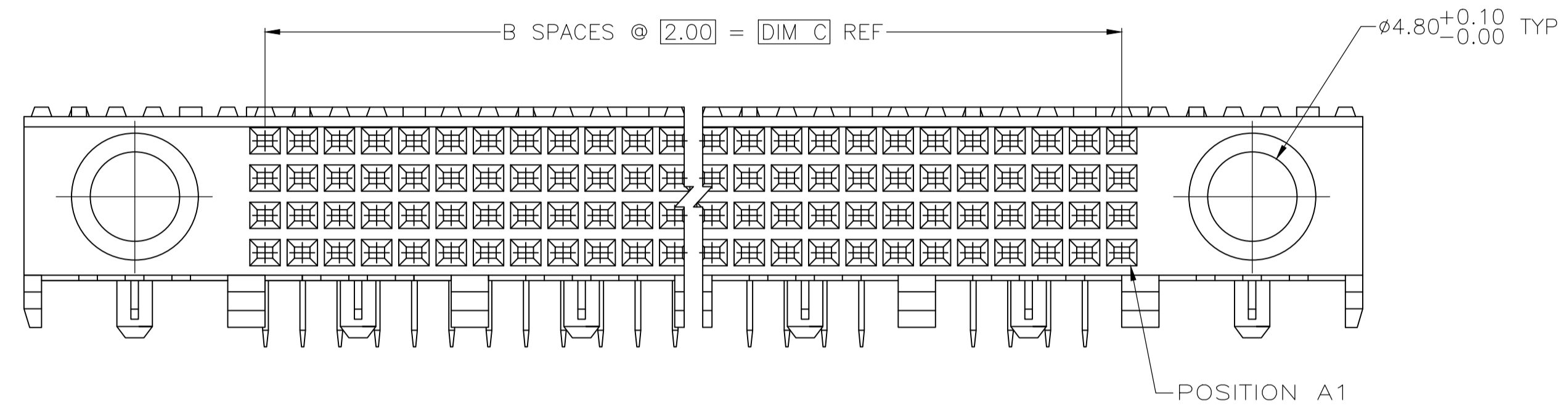


REVISIONS					
REV	DATE	DESCRIPTION	BY	CHK	APPD
A	03OCT2019	REVISED PER ECO-18-018290	AP	DS	



- △ HOUSING MATERIAL: LIQUID CRYSTAL POLYMER
COLOR: NATURAL.
- △ CONTACT MATERIAL: COPPER ALLOY
- △ CONTACT FINISH:
UNDERPLATE (ENTIRE CONTACT):
0.00127 MIN NICKEL PER SAE-AMS-QQ-N-290.
ON MATING SURFACES:
CONFORMS TO ALL TESTING SPECIFIED FOR TELCORDIA
UNCONTROLLED ENVIRONMENT.
ON LEADS
0.0006 MIN TIN PER ASTM B 545 OVER UNDERPLATE.
LUBRICATION (MIN MATING SURFACES):
SURFACE CONDITIONER AFTER PLATING.
- △ PART MARKING LOCATED APPROXIMATELY AS SHOWN.
- △ TE OR TE CONNECTIVITY LOGO IS LOCATED.



LOADED	×
NOT LOADED	-

ROW	36	35	34	33	32	31	30	29	28	27	26	25	24	23	22	21	20	19	18	17	16	15	14	13	12	11	10	9	8	7	6	5	4	3	2	1	
	D	X	X	X	X	X	X	X	X	X	X	X	X	X	X	X	X	X	X	X	X	X	X	X	X	X	X	X	X	X	X	X	X	X	X	X	X
C	X	X	X	X	X	X	X	X	X	X	X	X	X	X	X	X	X	X	X	X	X	X	X	X	X	X	X	X	X	X	X	X	X	X	X	X	X
B	X	X	X	X	X	X	X	X	X	X	X	X	X	X	X	X	X	X	X	X	X	X	X	X	X	X	X	X	X	X	X	X	X	X	X	X	X
A	X	X	X	X	X	X	X	X	X	X	X	X	X	X	X	X	X	X	X	X	X	X	X	X	X	X	X	X	X	X	X	X	X	X	X	X	X
	SIGNAL				SIGNAL				SIGNAL				SIGNAL				SIGNAL				SIGNAL																

70	35	95.88	3	144	5536587-1
C	B	A	FINISH	NO OF POSN	PART NUMBER

THIS DRAWING IS A CONTROLLED DOCUMENT.

TE Connectivity

ASSEMBLY, RCPT, SIGNAL, 4 ROW
RIGHT ANGLE, SKIP LOADED, W/GUIDES
Z-PACK 2mm FB

APPROVED: R. WERTZ

DATE: 14SEP04

SIZE: A1

WEIGHT: 0.000000

SCALE: 4:1