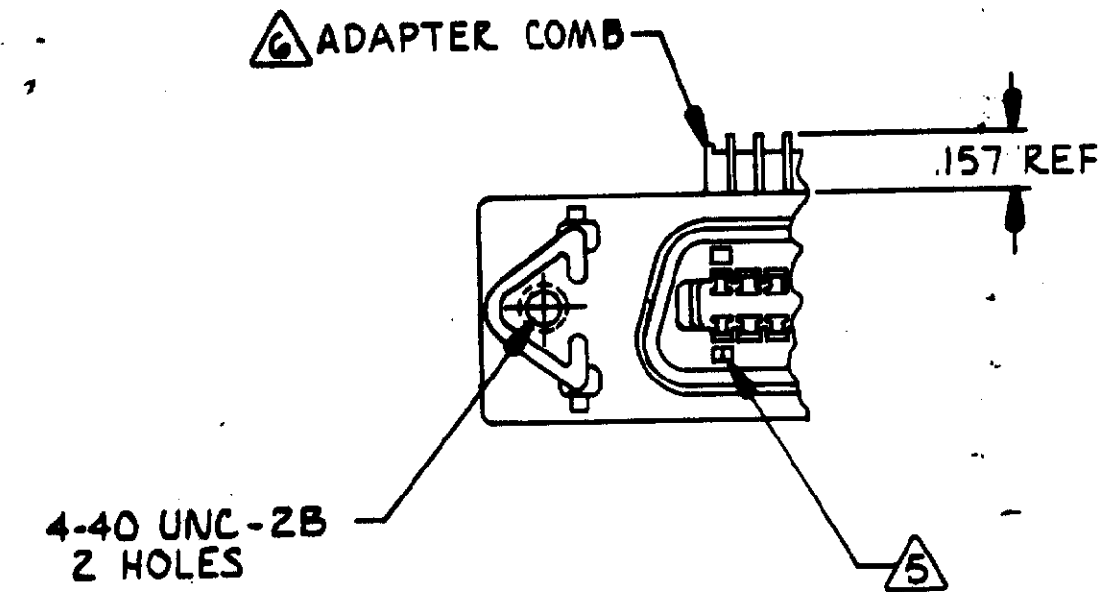
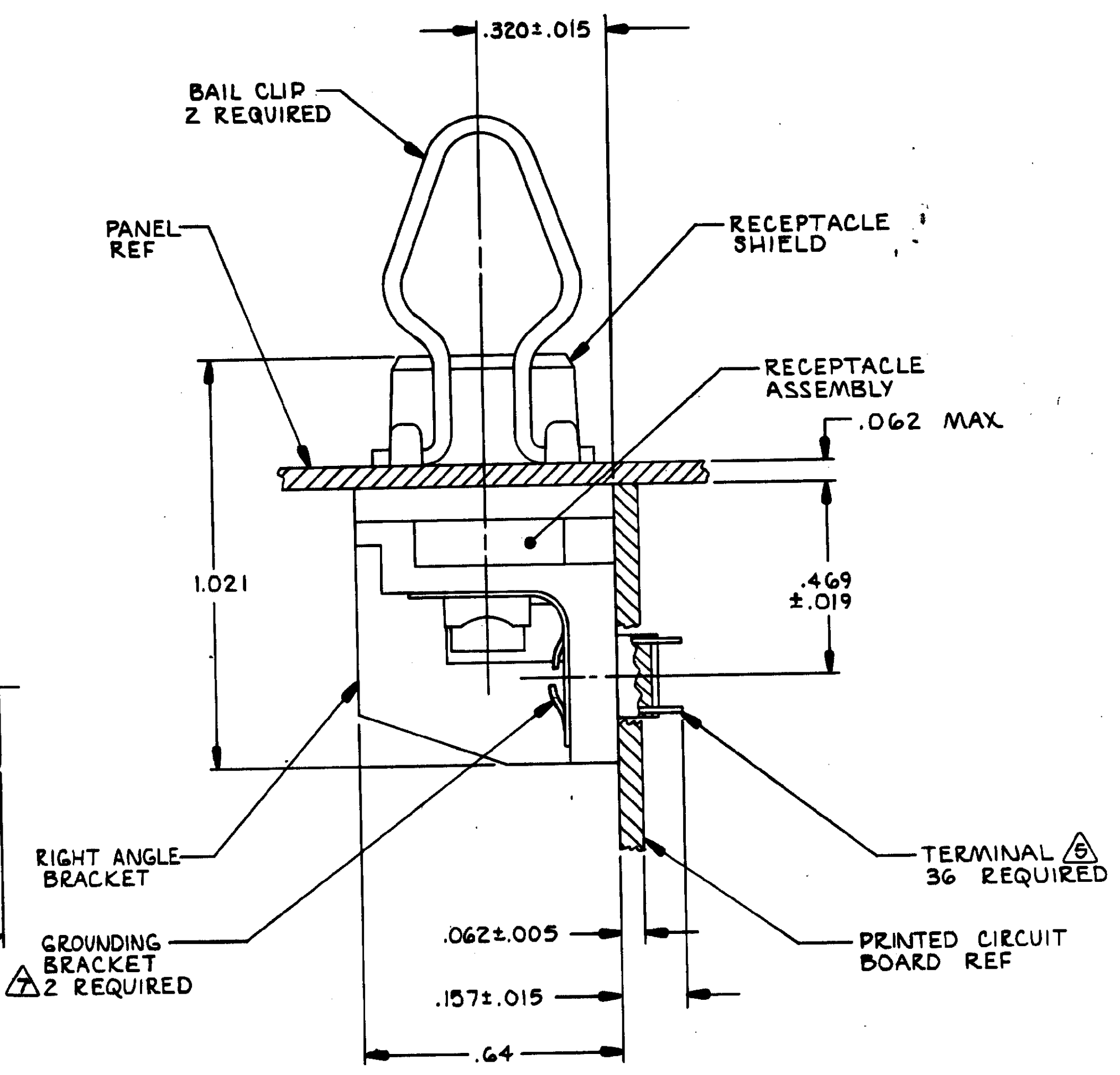
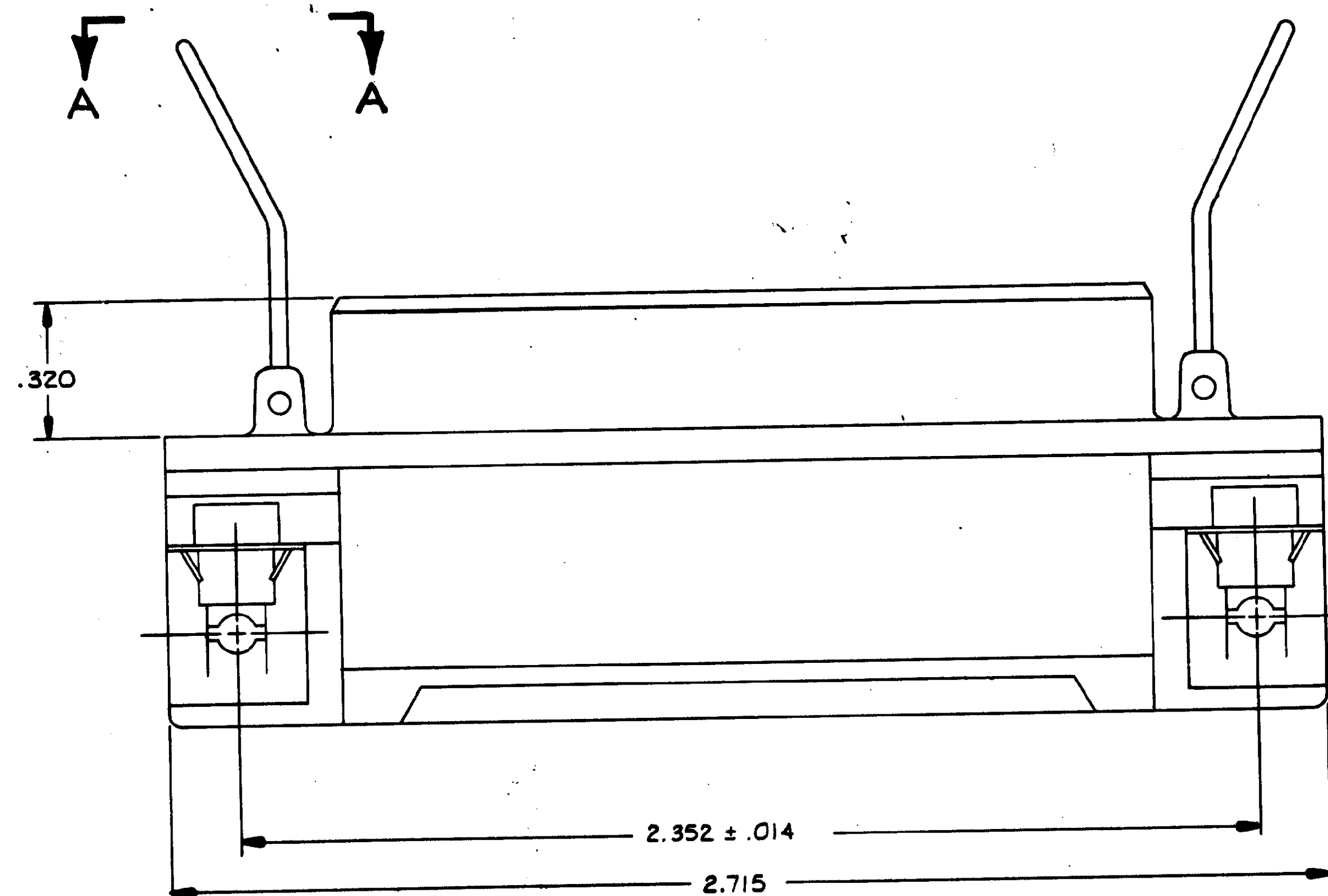


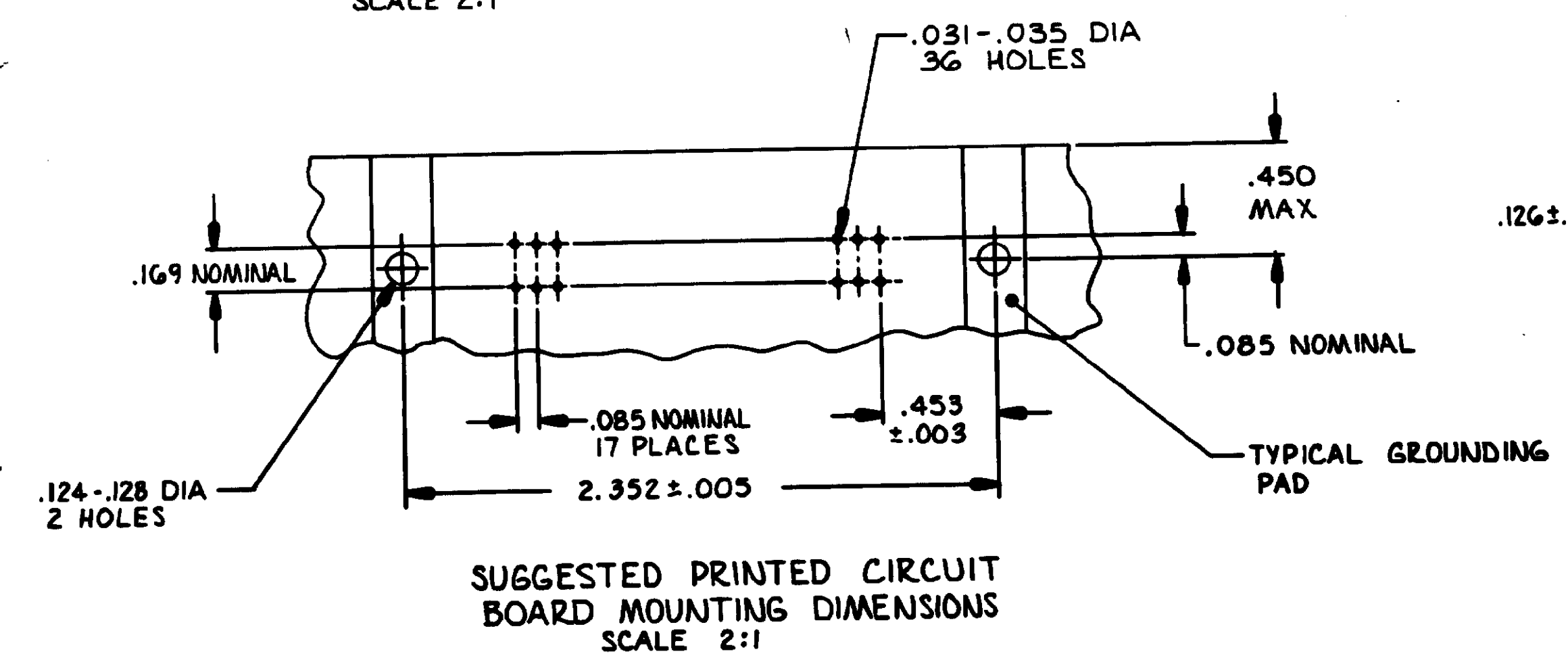
REVISIONS		DATE	APPROVED
P	F ZONE LTR	DESCRIPTION	
0		RLSD; NPI C87-5Z	6-18-87 VS

△ MATERIAL: SUPPORT PLATE, BRACKET, HOUSING AND ADAPTER COMB-POLYESTER, BLACK. BAIL CLIPS-PASSIVATED STAINLESS STEEL. RECEPTACLE SHIELD-BRIGHT NICKEL OVER COPPER PLATED ZINC. TERMINALS-TAILS-TIN LEAD OVER NICKEL PLATED HIGH STRENGTH COPPER ALLOY. MATING SURFACE-LOCALIZED GOLD OVER NICKEL PLATED HIGH STRENGTH COPPER ALLOY. GROUND BRACKET-ZINC PLATED CARBON STEEL.

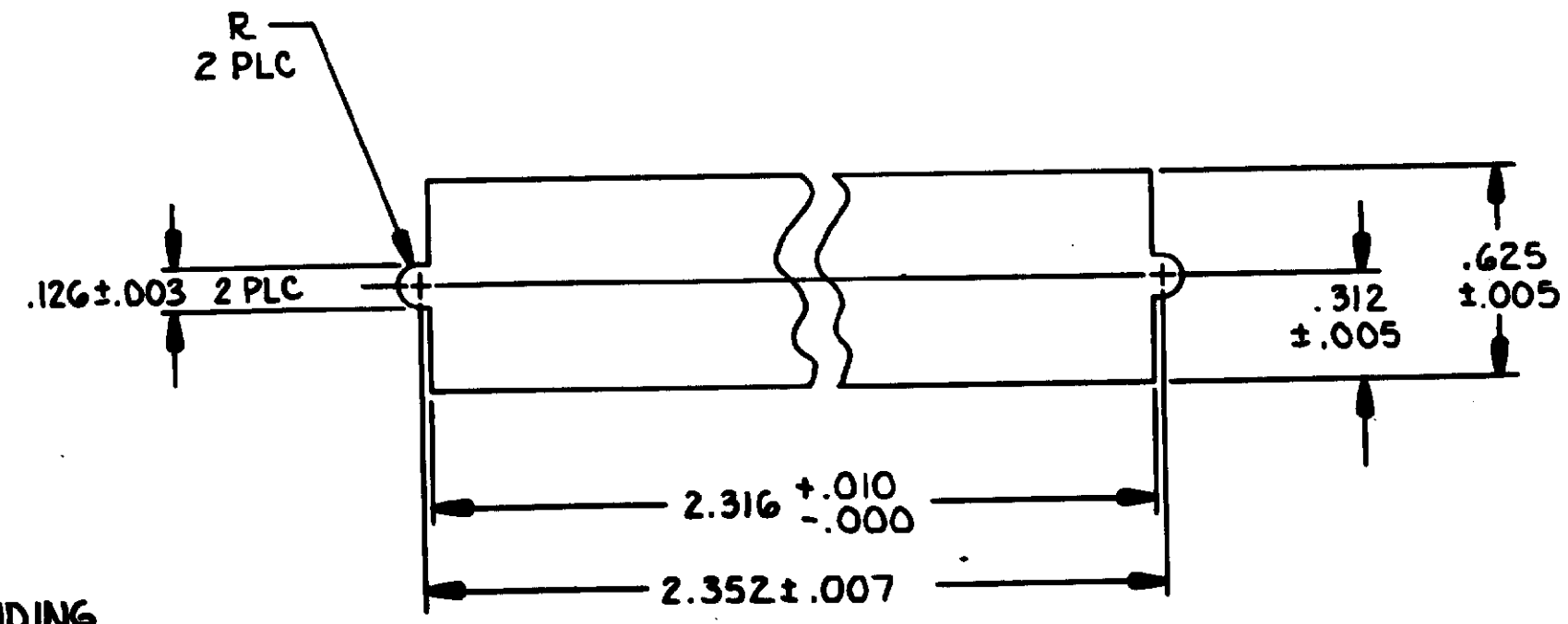
2. THE CONTACT SURFACES OF THE TERMINALS ARE COATED WITH LUBRICANT.
  3. CENTER-TO-CENTER SPACING OF TERMINALS IS .085 NOMINAL.
  4. ALL DIMENSIONS SHOWN ARE MAXIMUM UNLESS OTHERWISE SPECIFIED.
- △ TERMINAL 1 LOCATED IN THIS ROW FOR STANDARD ORIENTATION.
- △ IF TERMINALS DO NOT EXTEND BELOW COMB THEN COMB SHALL BE PARTIALLY RETRACTED BEFORE INSERTING CONNECTOR INTO PC BOARD.
- △ ACCEPTS 4-40 SCREW-STAINLESS STEEL RECOMMENDED FOR CONTACT WITH SOLDER BATH.



VIEW AA SCALE 2:1



SUGGESTED PRINTED CIRCUIT BOARD MOUNTING DIMENSIONS SCALE 2:1



SUGGESTED REAR PANEL MOUNTING CUTOUT DIMENSIONS

UNLESS OTHERWISE SPECIFIED DIMENSIONS ARE IN INCHES TOLERANCES ON: DECIMALS : ANGLES :		CONTRACT NO	555233-1 PART NO	
MATERIAL	△	DR	AMP   AMP INCORPORATED Harrisburg, Pa. 17105	
FINISH	△	CHK	NAME RECEPTACLE ASSEMBLY, SHIELDED, 36 POSITION, RIGHT ANGLE, W/GROUND BRACKET & BAIL LOCK, FLUSH MOUNTING, CHAMP®	
		APPRO	SIZE	FSCM NO
		DSGN APPD	D	00779
		OTHER APPD	DRAWING NO 555233	
			SCALE 4:1	SHEET 1 OF 1