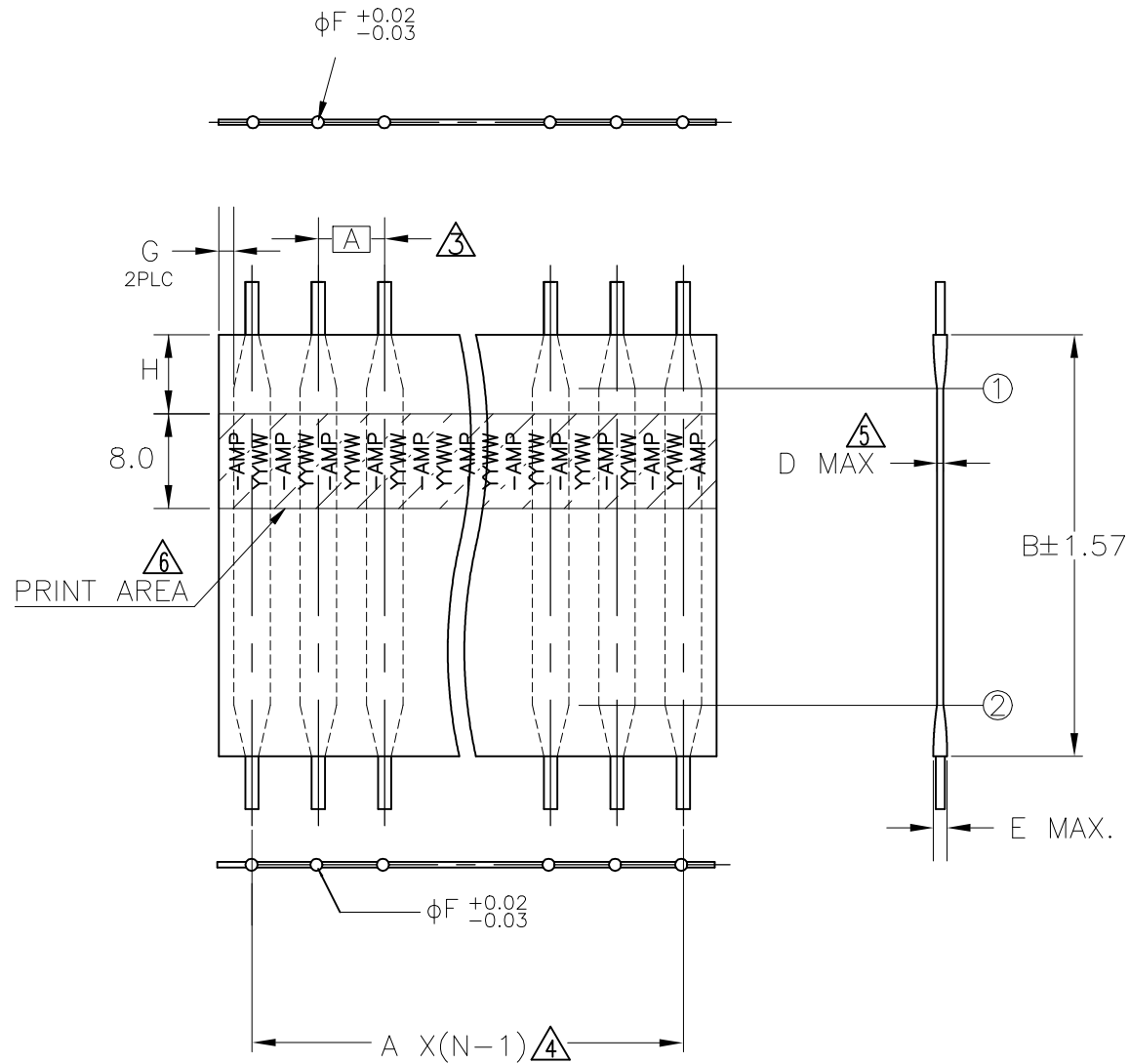
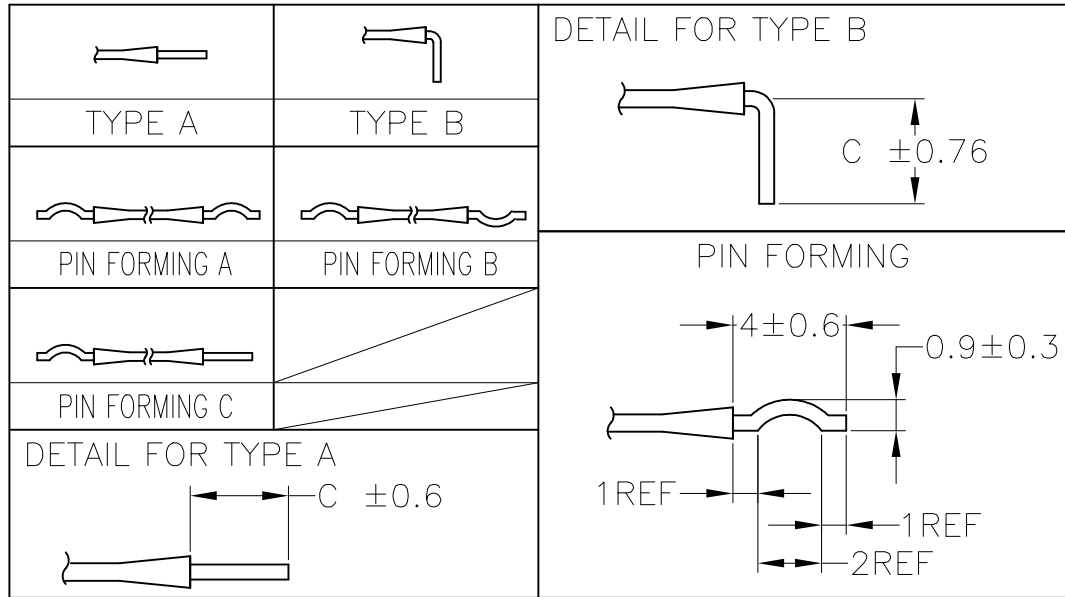


P	LTR	DESCRIPTION	DATE	DWN	APVD
	A8	REVISED	21FEB2019	H.M	P.K



- プリント基板スルーホール径： $\phi 0.94 \pm 0.025$
また、スルーホールピッチ公差は ± 0.127 である（参考）
RECOMMENDED THROUGH HOLE DIA. FOR P.C.BOARD： $\phi 0.94 \pm 0.025$
THROUGH HOLE PITCH TOLERANCE： ± 0.127
 - 本仕様から逸脱する場合は、必ず仕様打合わせを行うこと。
THE SPECIFICATION NEEDS TO BE DISCUSSED WHEN ANY OTHER CHANGE HAPPENED.
 - リード位置寸法は、リード根元寸法とする。
LEAD'S POSITIONAL DIMENSION IS MEASURED AT THE EDGE OF PAPER.
 - 公差は以下の表を参照。
TOLERANCE CHART
- | PITCH | 2~30PINS | 31~50PINS |
|-----------|------------|------------|
| 2.30~5.08 | ± 0.35 | ± 0.40 |
| 1.78~2.00 | ± 0.30 | ± 0.35 |
| 0.80~1.50 | ± 0.30 | ± 0.35 |
- D寸法は、①～②間のワイヤー部の厚さを指す。
DIMENSION D INDICATES WIRE THICKNESS BETWEEN ① AND ②.
 - 製品に印字を行う。
PRINT ON PRODUCT.

PRINT CHARACTER	PRINT LOCATION	
-AMP	B	H
YYWW	12.7~16.0	1.0mm
	18.0~25.4	7.0mm
	28.0~152.4	10.0mm



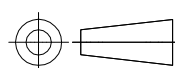

THIS DRAWING IS A CONTROLLED DOCUMENT.		DWN H.OSABE 14JAN2014	TE Connectivity Ltd.	
		CHK M.HARASAWA 14JAN2014		
		APVD N.YAMASAKI 14JAN2014	NAME FLEXSTRIP JUMPER	
DIMENSIONS: mm		PRODUCT SPEC 108-78002	SIZE CAGE CODE DRAWING NO RESTRICTED TO	
TOLERANCES UNLESS OTHERWISE SPECIFIED:		APPLICATION SPEC	A3 00779 C-1447169	
0 PLC $\pm -$		WEIGHT \emptyset	SCALE NTS SHEET 1 OF 9 REV A8	
1 PLC $\pm -$				
2 PLC $\pm -$				
3 PLC $\pm -$				
4 PLC $\pm -$				
ANGLES $\pm -$				
MATERIAL -		CUSTOMER DRAWING		
FINISH -				

REVISIONS

P	LTR	DESCRIPTION	DATE	DWN	APVD
-	-	SEE SHEET 1	-	-	-

FS1.27N, FS1.78N SERIES


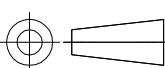
P/N	Description	Pitch (A)	Tape Length (B)	Pin Length (C)	Tape Thickness (D)	Tape Thickness (E)	Pin Diameter (F)	Margin (G)	POS
1-1447169-5	FS1.27N1.6A11 =JUMPER NOMEM	1.27	18.0	3.18	0.35MAX	0.84MAX	φ0.32	0.25MIN	11
2-1447169-8	FS1.27N3.3A30 =JUMPER NOMEM	1.27	33.0	3.18	0.35MAX	0.84MAX	φ0.32	0.25MIN	30
7-1447169-8	FS1.78N25.4A30 =JUMPER NOMEM	1.78	25.4	3.18	0.35MAX	0.84MAX	φ0.40	0.25MIN	30
8-1447169-9	FS1.78N38.1A40 =JUMPER NOMEM	1.78	38.1	3.18	0.35MAX	0.84MAX	φ0.40	0.25MIN	40
1447170-7	FS1.78N63.5A40 =JUMPER NOMEM	1.78	63.5	3.18	0.35MAX	0.84MAX	φ0.40	0.25MIN	40
1447170-8	FS1.78N63.5A5 =JUMPER NOMEM	1.78	63.5	3.18	0.35MAX	0.84MAX	φ0.40	0.25MIN	5
1-1447170-4	FS1.78N76.2A30 =JUMPER NOMEM	1.78	76.2	3.18	0.35MAX	0.84MAX	φ0.40	0.25MIN	30

THIS DRAWING IS A CONTROLLED DOCUMENT.		DWN	-		
DIMENSIONS: mm		CHK	-		
TOLERANCES UNLESS OTHERWISE SPECIFIED:		APVD	-		
		SEE SHEET 1			
0 PLC ± - 1 PLC ± - 2 PLC ± - 3 PLC ± - 4 PLC ± - ANGLES ± -		PRODUCT SPEC	-		
MATERIAL -		APPLICATION SPEC	-		
FINISH -		WEIGHT	0		
		 TE Connectivity Ltd.		NAME	
		FLEXSTRIP JUMPER		-	
		SIZE	CAGE CODE	DRAWING NO	RESTRICTED TO
		A3	00779	C-1447169	-
CUSTOMER DRAWING		SCALE	SHEET	REV	
		NTS	2 OF 9	A8	

P	LTR	DESCRIPTION	DATE	DWN	APVD
-	-	SEE SHEET 1	-	-	-

FS2.54N SERIES

P/N	Description	Pitch (A)	Tape Length (B)	Pin Length (C)	Tape Thickness (D)	Tape Thickness (E)	Pin Diameter (F)	Margin (G)	POS
9-1447170-8	FS2.54N15A18 =JUMPER NOMEM	2.54	15.0	3.18	0.35MAX	0.84MAX	ø 0.51	0.25MIN	18
1447171-3	FS2.54N15A5 =JUMPER NOMEM	2.54	15.0	3.18	0.35MAX	0.84MAX	ø 0.51	0.25MIN	5
1447171-5	FS2.54N15A8 =JUMPER NOMEM	2.54	15.0	3.18	0.35MAX	0.84MAX	ø 0.51	0.25MIN	8
1447171-6	FS2.54N18A10 =JUMPER NOMEM	2.54	18.0	3.18	0.35MAX	0.84MAX	ø 0.51	0.25MIN	10
2-1447171-0	FS2.54N17A8 =JUMPER NOMEM	2.54	17.0	3.18	0.35MAX	0.84MAX	ø 0.51	0.25MIN	8
2-1447171-6	FS2.54N18A4 =JUMPER NOMEM	2.54	18.0	3.18	0.35MAX	0.84MAX	ø 0.51	0.25MIN	4
3-1447171-5	FS2.54N20A20 =JUMPER NOMEM	2.54	20.0	3.18	0.35MAX	0.84MAX	ø 0.51	0.25MIN	20
4-1447171-1	FS2.54N21A12 =JUMPER NOMEM	2.54	21.0	3.18	0.35MAX	0.84MAX	ø 0.51	0.25MIN	12
4-1447171-9	FS2.54N30A10 =JUMPER NOMEM	2.54	30.0	3.18	0.35MAX	0.84MAX	ø 0.51	0.25MIN	10
5-1447171-8	FS2.54N30A15 =JUMPER NOMEM	2.54	30.0	3.18	0.35MAX	0.84MAX	ø 0.51	0.25MIN	15
6-1447171-2	FS2.54N30A17 =JUMPER NOMEM	2.54	30.0	3.18	0.35MAX	0.84MAX	ø 0.51	0.25MIN	17
6-1447171-3	FS2.54N30A18 =JUMPER NOMEM	2.54	30.0	3.18	0.35MAX	0.84MAX	ø 0.51	0.25MIN	18
6-1447171-6	FS2.54N30A20 =JUMPER NOMEM	2.54	30.0	3.18	0.35MAX	0.84MAX	ø 0.51	0.25MIN	20
8-1447171-3	FS2.54N30A4 =JUMPER NOMEM	2.54	30.0	3.18	0.35MAX	0.84MAX	ø 0.51	0.25MIN	4
8-1447171-5	FS2.54N30A7 =JUMPER NOMEM	2.54	30.0	3.18	0.35MAX	0.84MAX	ø 0.51	0.25MIN	7
8-1447171-8	FS2.54N30A9 =JUMPER NOMEM	2.54	30.0	3.18	0.35MAX	0.84MAX	ø 0.51	0.25MIN	9
9-1447171-0	FS2.54N33A10 =JUMPER NOMEM	2.54	33.0	3.18	0.35MAX	0.84MAX	ø 0.51	0.25MIN	10
9-1447171-3	FS2.54N35A13 =JUMPER NOMEM	2.54	35.0	3.18	0.35MAX	0.84MAX	ø 0.51	0.25MIN	13
9-1447171-8	FS2.54N35A19 =JUMPER NOMEM	2.54	35.0	3.18	0.35MAX	0.84MAX	ø 0.51	0.25MIN	19
2-1447172-0	FS2.54N40A22P39 =JUMPER NOMEM	2.54	40.0	3.90	0.35MAX	0.84MAX	ø 0.51	0.25MIN	22
2-1447172-9	FS2.54N40A28 =JUMPER NOMEM	2.54	40.0	3.18	0.35MAX	0.84MAX	ø 0.51	0.25MIN	28
3-1447172-5	FS2.54N40A6 =JUMPER NOMEM	2.54	40.0	3.18	0.35MAX	0.84MAX	ø 0.51	0.25MIN	6
3-1447172-7	FS2.54N40A8 =JUMPER NOMEM	2.54	40.0	3.18	0.35MAX	0.84MAX	ø 0.51	0.25MIN	8
1473635-1	FS2.54N42A20 =JUMPER NOMEM	2.54	42.0	3.18	0.35MAX	0.84MAX	ø 0.51	0.25MIN	20
1717056-4	FS2.54N55A15 =JUMPER NOMEM	2.54	55.0	3.18	0.35MAX	0.84MAX	ø 0.51	0.25MIN	15
5-1447172-2	FS2.54N55A18 =JUMPER NOMEM	2.54	55.0	3.18	0.35MAX	0.84MAX	ø 0.51	0.25MIN	18
5-1447172-6	FS2.54N55A30 =JUMPER NOMEM	2.54	55.0	3.18	0.35MAX	0.84MAX	ø 0.51	0.25MIN	30
5-1447172-7	FS2.54N55A6 =JUMPER NOMEM	2.54	55.0	3.18	0.35MAX	0.84MAX	ø 0.51	0.25MIN	6
1717056-3	FS2.54N65A8 =JUMPER NOMEM	2.54	55.0	3.18	0.35MAX	0.84MAX	ø 0.51	0.25MIN	5
5-1447172-9	FS2.54N68A22 =JUMPER NOMEM	2.54	58.0	3.18/4.5	0.35MAX	0.84MAX	ø 0.51	0.25MIN	22
6-1447172-3	FS2.54N70A17PA =JUMPER (PA4.0)	2.54	70.0	4.00	0.35MAX	0.84MAX	ø 0.51	0.25MIN	17

THIS DRAWING IS A CONTROLLED DOCUMENT.		DWN	-	 TE Connectivity Ltd.	
DIMENSIONS: mm		CHK	-		
		APVD	-		
TOLERANCES UNLESS OTHERWISE SPECIFIED:		PRODUCT SPEC	108-78002		
MATERIAL		FINISH	-	NAME	
-		-	-	FLEXSTRIP JUMPER	
-		0 PLC ± -	1 PLC ± -	APPLICATION SPEC	
-		2 PLC ± -	3 PLC ± -	SIZE	A3
-		4 PLC ± -	ANGLES ± -	CAGE CODE	00779
-		FINISH	-	DRAWING NO	C-1447169
-		WEIGHT	0	RESTRICTED TO	-
-		CUSTOMER DRAWING		SCALE	NTS
-		SHEET		3 of 9	REV
-		A8			

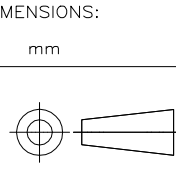
THIS DRAWING IS UNPUBLISHED. RELEASED FOR PUBLICATION - - - ALL RIGHTS RESERVED.

REVISIONS table with columns: P, LTR, DESCRIPTION, DATE, DWN, APVD. Revision 1: SEE SHEET 1.

FS2N SERIES NO.2

Main specification table with columns: P/N, Description, Pitch (A), Tape Length (B), Pin Length (C), Tape Thickness (D), Tape Thickness (E), Pin Diameter (F), Margin (G), POS. Lists 80 different part numbers and their dimensions.

THIS DRAWING IS A CONTROLLED DOCUMENT.



DIMENSIONS: mm. TOLERANCES UNLESS OTHERWISE SPECIFIED: 0 PLC ± -, 1 PLC ± -, 2 PLC ± -, 3 PLC ± -, 4 PLC ± -, ANGLES ± -.

MATERIAL: FINISH

Product ID: 108-78002. Weight: 0. Customer Drawing. Includes drawing codes: DWN, CHK, APVD, PRODUCT SPEC, APPLICATION SPEC.

Company information: STE TE Connectivity Ltd. Drawing title: FLEXSTRIP JUMPER. Includes drawing number G-1447169, scale NTS, and sheet number 5 of 9.

THIS DRAWING IS UNPUBLISHED.

RELEASED FOR PUBLICATION

ALL RIGHTS RESERVED.

COPYRIGHT - By -

REVISIONS

Table with columns: P, LTR, DESCRIPTION, DATE, DWN, APVD. Row 1: P: -, LTR: -, DESCRIPTION: SEE SHEET 1, DATE: -, DWN: -, APVD: -.

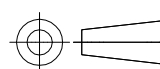
F5N SERIES NO.1

Main table with columns: P/N, Description, Pitch (A), Tape Length (B), Pin Length (C), Tape Thickness (D), Pin Diameter (F), Margin (G), POS. It lists 25 different F5N series models and their specifications.

THIS DRAWING IS A CONTROLLED DOCUMENT.

DIMENSIONS:

mm



MATERIAL

TOLERANCES UNLESS OTHERWISE SPECIFIED:

- 0 PLC ± -
1 PLC ± -
2 PLC ± -
3 PLC ± -
4 PLC ± -
ANGLES ± -

FINISH

Administrative form containing: DWN, CHK, APVD, PRODUCT SPEC (108-78002), APPLICATION SPEC, WEIGHT (0), CUSTOMER DRAWING, SCALE (NTS), SHEET (6 of 9), REV (A8), and company logo (STE TE Connectivity Ltd.).

P	LTR	DESCRIPTION	DATE	DWN	APVD
-	-	SEE SHEET 1	-	-	-

FSN SERIES NO.3

P/N	Description	Pitch (A)	Tape Length (B)	Pin Length (C)	Tape Thickness (D)	Tape Thickness (E)	Pin Diameter (F)	Margin (G)	POS
2-1437141-9	FSN-22.5A-10= JUMPER NOMEX	2.54	63.5	3.18	0.35MAX	0.84MAX	0.51	0.25MIN	10
3-1437141-0	FSN-22.5A-11= JUMPER NOMEX	2.54	63.5	3.18	0.35MAX	0.84MAX	0.51	0.25MIN	11
3-1437141-1	FSN-22.5A-12= JUMPER NOMEX	2.54	63.5	3.18	0.35MAX	0.84MAX	0.51	0.25MIN	12
7-1447185-4	FSN-22.5A-14PA JUMPER NOMEX	2.54	63.5	4.00	0.35MAX	0.84MAX	0.51	0.25MIN	14
3-1437141-4	FSN-22.5A-15= JUMPER NOMEX	2.54	63.5	3.18	0.35MAX	0.84MAX	0.51	0.25MIN	15
3-1437141-5	FSN-22.5A-16= JUMPER NOMEX	2.54	63.5	3.18	0.35MAX	0.84MAX	0.51	0.25MIN	16
3-1437141-7	FSN-22.5A-18=JUMPER NOMEX	2.54	63.5	3.18	0.35MAX	0.84MAX	0.51	0.25MIN	18
8-1447185-8	FSN-22.5A-19=JUMPER NOMEX	2.54	63.5	3.18	0.35MAX	0.84MAX	0.51	0.25MIN	19
3-1437141-9	FSN-22.5A-20= JUMPER NOMEX	2.54	63.5	3.18	0.35MAX	0.84MAX	0.51	0.25MIN	20
4-1437141-2	FSN-22.5A-22= JUMPER NOMEX	2.54	63.5	3.18	0.35MAX	0.84MAX	0.51	0.25MIN	22
9-1447185-6	FSN-22.5A-25=JUMPER NOMEX	2.54	63.5	3.18	0.35MAX	0.84MAX	0.51	0.25MIN	25
1447186-1	FSN-22.5A-26=JUMPER NOMEX	2.54	63.5	3.18	0.35MAX	0.84MAX	0.51	0.25MIN	26
4-1437141-9	FSN-22.5A-3= JUMPER NOMEX	2.54	63.5	3.18	0.35MAX	0.84MAX	0.51	0.25MIN	3
1447186-6	FSN-22.5A-30=JUMPER NOMEX	2.54	63.5	3.18	0.35MAX	0.84MAX	0.51	0.25MIN	30
1447186-8	FSN-22.5A-31=JUMPER NOMEX	2.54	63.5	3.18	0.35MAX	0.84MAX	0.51	0.25MIN	31
5-1437141-1	FSN-22.5A-4= JUMPER NOMEX	2.54	63.5	3.18	0.35MAX	0.84MAX	0.51	0.25MIN	4
5-1437141-2	FSN-22.5A-5= JUMPER NOMEX	2.54	63.5	3.18	0.35MAX	0.84MAX	0.51	0.25MIN	5
5-1437141-3	FSN-22.5A-6= JUMPER NOMEX	2.54	63.5	3.18	0.35MAX	0.84MAX	0.51	0.25MIN	6
5-1437141-4	FSN-22.5A-7= JUMPER NOMEX	2.54	63.5	3.18	0.35MAX	0.84MAX	0.51	0.25MIN	7
5-1437141-5	FSN-22.5A-8= JUMPER NOMEX	2.54	63.5	3.18	0.35MAX	0.84MAX	0.51	0.25MIN	8
5-1437141-6	FSN-22.5A-9= JUMPER NOMEX	2.54	63.5	3.18	0.35MAX	0.84MAX	0.51	0.25MIN	9
2-1437142-8	FSN-22A-10= JUMPER NOMEX	2.54	50.8	3.18	0.35MAX	0.84MAX	0.51	0.25MIN	10
3-1437142-0	FSN-22A-11= JUMPER NOMEX	2.54	50.8	3.18	0.35MAX	0.84MAX	0.51	0.25MIN	11
3-1437142-2	FSN-22A-12= JUMPER NOMEX	2.54	50.8	3.18	0.35MAX	0.84MAX	0.51	0.25MIN	12
3-1437142-3	FSN-22A-13= JUMPER NOMEX	2.54	50.8	3.18	0.35MAX	0.84MAX	0.51	0.25MIN	13
3-1437142-4	FSN-22A-14= JUMPER NOMEX	2.54	50.8	3.18	0.35MAX	0.84MAX	0.51	0.25MIN	14
3-1437142-5	FSN-22A-15= JUMPER NOMEX	2.54	50.8	3.18	0.35MAX	0.84MAX	0.51	0.25MIN	15
3-1437142-6	FSN-22A-16= JUMPER NOMEX	2.54	50.8	3.18	0.35MAX	0.84MAX	0.51	0.25MIN	16
3-1437142-7	FSN-22A-17= JUMPER NOMEX	2.54	50.8	3.18	0.35MAX	0.84MAX	0.51	0.25MIN	17
3-1437142-8	FSN-22A-18= JUMPER NOMEX	2.54	50.8	3.18	0.35MAX	0.84MAX	0.51	0.25MIN	18
3-1437142-9	FSN-22A-19= JUMPER NOMEX	2.54	50.8	3.18	0.35MAX	0.84MAX	0.51	0.25MIN	19
4-1437142-0	FSN-22A-2= JUMPER NOMEX	2.54	50.8	3.18	0.35MAX	0.84MAX	0.51	0.25MIN	2
4-1437142-1	FSN-22A-20= JUMPER NOMEX	2.54	50.8	3.18	0.35MAX	0.84MAX	0.51	0.25MIN	20
4-1437142-3	FSN-22A-21= JUMPER NOMEX	2.54	50.8	3.18	0.35MAX	0.84MAX	0.51	0.25MIN	21
4-1437142-4	FSN-22A-22= JUMPER NOMEX	2.54	50.8	3.18	0.35MAX	0.84MAX	0.51	0.25MIN	22
4-1437142-5	FSN-22A-23= JUMPER NOMEX	2.54	50.8	3.18	0.35MAX	0.84MAX	0.51	0.25MIN	23
4-1437142-6	FSN-22A-24= JUMPER NOMEX	2.54	50.8	3.18	0.35MAX	0.84MAX	0.51	0.25MIN	24
4-1437142-9	FSN-22A-25= JUMPER NOMEX	2.54	50.8	3.18	0.35MAX	0.84MAX	0.51	0.25MIN	25
5-1437142-0	FSN-22A-26= JUMPER NOMEX	2.54	50.8	3.18	0.35MAX	0.84MAX	0.51	0.25MIN	26
7-1447186-7	FSN-22A-28=JUMPER NOMEX	2.54	50.8	3.18	0.35MAX	0.84MAX	0.51	0.25MIN	28
5-1437142-2	FSN-22A-3= JUMPER NOMEX	2.54	50.8	3.18	0.35MAX	0.84MAX	0.51	0.25MIN	3
5-1437142-3	FSN-22A-30= JUMPER NOMEX	2.54	50.8	3.18	0.35MAX	0.84MAX	0.51	0.25MIN	30
8-1447186-5	FSN-22A-31=JUMPER NOMEX	2.54	50.8	3.18	0.35MAX	0.84MAX	0.51	0.25MIN	31
9-1447186-0	FSN-22A-34=JUMPER NOMEX	2.54	50.8	3.18	0.35MAX	0.84MAX	0.51	0.25MIN	34
9-1447186-1	FSN-22A-37=JUMPER NOMEX	2.54	50.8	3.18	0.35MAX	0.84MAX	0.51	0.25MIN	37
5-1437142-9	FSN-22A-4= JUMPER NOMEX	2.54	50.8	3.18	0.35MAX	0.84MAX	0.51	0.25MIN	4
9-1447186-7	FSN-22A-4PA =JUMPER (PA4.0)	2.54	50.8	4.00	0.35MAX	0.84MAX	0.51	0.25MIN	4
6-1437142-2	FSN-22A-5= JUMPER NOMEX	2.54	50.8	3.18	0.35MAX	0.84MAX	0.51	0.25MIN	5
1447187-1	FSN-22A-5PA =JUMPER (PA4.0)	2.54	50.8	4.00	0.35MAX	0.84MAX	0.51	0.25MIN	5
6-1437142-7	FSN-22A-6= JUMPER NOMEX	2.54	50.8	3.18	0.35MAX	0.84MAX	0.51	0.25MIN	6
6-1437142-9	FSN-22A-7= JUMPER NOMEX	2.54	50.8	3.18	0.35MAX	0.84MAX	0.51	0.25MIN	7
7-1437142-2	FSN-22A-8= JUMPER NOMEX	2.54	50.8	3.18	0.35MAX	0.84MAX	0.51	0.25MIN	8
1447178-7	FSN-22A-8PA= JUMPER NOMEX	2.54	50.8	4.00	0.35MAX	0.84MAX	0.51	0.25MIN	8
7-1437142-5	FSN-22A-9= JUMPER NOMEX	2.54	50.8	3.18	0.35MAX	0.84MAX	0.51	0.25MIN	9
1-1447187-3	FSN-22AB-8=JUMPER NOMEX	2.54	50.8	3.18	0.35MAX	0.84MAX	0.51	0.25MIN	8
1437143-2	FSN-22B-20= JUMPER NOMEX	2.54	50.8	3.18	0.35MAX	0.84MAX	0.51	0.25MIN	20
6-1437143-4	FSN-23.5A-10= JUMPER NOMEX	2.54	88.9	3.18	0.35MAX	0.84MAX	0.51	0.25MIN	10
6-1437143-5	FSN-23.5A-11= JUMPER NOMEX	2.54	88.9	3.18	0.35MAX	0.84MAX	0.51	0.25MIN	11
6-1437143-6	FSN-23.5A-12= JUMPER NOMEX	2.54	88.9	3.18	0.35MAX	0.84MAX	0.51	0.25MIN	12
6-1437143-8	FSN-23.5A-14= JUMPER NOMEX	2.54	88.9	3.18	0.35MAX	0.84MAX	0.51	0.25MIN	14
2069384-1	FSN-23.5A-21= JUMPER NOMEX	2.54	88.9	3.18	0.35MAX	0.84MAX	0.51	0.25MIN	21

THIS DRAWING IS A CONTROLLED DOCUMENT.

DWN -
CHK -
APVD -

SEE SHEET 1

PRODUCT SPEC 108-78002

APPLICATION SPEC

WEIGHT 0

CUSTOMER DRAWING

DIMENSIONS: mm

TOLERANCES UNLESS OTHERWISE SPECIFIED:

0 PLC ± -
1 PLC ± -
2 PLC ± -
3 PLC ± -
4 PLC ± -
ANGLES ± -

MATERIAL - FINISH -

STE TE Connectivity Ltd.

NAME FLEXSTRIP JUMPER

SIZE A3 CAGE CODE 00779 DRAWING NO C-1447169 RESTRICTED TO -

SCALE NTS SHEET 8 OF 9 REV A8

P	LTR	DESCRIPTION	DATE	DWN	APVD
-	-	SEE SHEET 1	-	-	-

FSN SERIES NO.4

P/N	Description	Pitch (A)	Tape Length (B)	Pin Length (C)	Tape Thickness (D)	Tape Thickness (E)	Pin Diameter (F)	Margin (G)	POS
8-1437143-5	FSN-23A-8= JUMPER NOMEX	2.54	88.9	3.18	0.35MAX	0.84MAX	φ0.51	0.25MIN	8
8-1437143-6	FSN-23A-9= JUMPER NOMEX	2.54	88.9	3.18	0.35MAX	0.84MAX	φ0.51	0.25MIN	9
2-1437144-5	FSN-23A-10= JUMPER NOMEX	2.54	76.2	3.18	0.35MAX	0.84MAX	φ0.51	0.25MIN	10
2-1437144-7	FSN-23A-11= JUMPER NOMEX	2.54	76.2	3.18	0.35MAX	0.84MAX	φ0.51	0.25MIN	11
3-1437144-0	FSN-23A-13= JUMPER NOMEX	2.54	76.2	3.18	0.35MAX	0.84MAX	φ0.51	0.25MIN	13
3-1437144-1	FSN-23A-14= JUMPER NOMEX	2.54	76.2	3.18	0.35MAX	0.84MAX	φ0.51	0.25MIN	14
3-1437144-3	FSN-23A-15= JUMPER NOMEX	2.54	76.2	3.18	0.35MAX	0.84MAX	φ0.51	0.25MIN	15
3-1437144-4	FSN-23A-16= JUMPER NOMEX	2.54	76.2	3.18	0.35MAX	0.84MAX	φ0.51	0.25MIN	16
3-1437144-6	FSN-23A-18= JUMPER NOMEX	2.54	76.2	3.18	0.35MAX	0.84MAX	φ0.51	0.25MIN	18
4-1447187-2	FSN-23A-18-3.5= JUMPER (PL3.5)	2.54	76.2	3.50	0.35MAX	0.84MAX	φ0.51	0.25MIN	18
3-1437144-8	FSN-23A-19= JUMPER NOMEX	2.54	76.2	3.18	0.35MAX	0.84MAX	φ0.51	0.25MIN	19
4-1437144-0	FSN-23A-20= JUMPER NOMEX	2.54	76.2	3.18	0.35MAX	0.84MAX	φ0.51	0.25MIN	20
4-1437144-2	FSN-23A-21= JUMPER NOMEX	2.54	76.2	3.18	0.35MAX	0.84MAX	φ0.51	0.25MIN	21
4-1437144-3	FSN-23A-22= JUMPER NOMEX	2.54	76.2	3.18	0.35MAX	0.84MAX	φ0.51	0.25MIN	22
4-1437144-4	FSN-23A-23= JUMPER NOMEX	2.54	76.2	3.18	0.35MAX	0.84MAX	φ0.51	0.25MIN	23
4-1437144-5	FSN-23A-24= JUMPER NOMEX	2.54	76.2	3.18	0.35MAX	0.84MAX	φ0.51	0.25MIN	24
4-1437144-6	FSN-23A-25= JUMPER NOMEX	2.54	76.2	3.18	0.35MAX	0.84MAX	φ0.51	0.25MIN	25
4-1437144-7	FSN-23A-26= JUMPER NOMEX	2.54	76.2	3.18	0.35MAX	0.84MAX	φ0.51	0.25MIN	26
5-1437144-1	FSN-23A-30= JUMPER NOMEX	2.54	76.2	3.18	0.35MAX	0.84MAX	φ0.51	0.25MIN	30
5-1437144-6	FSN-23A-4= JUMPER NOMEX	2.54	76.2	3.18	0.35MAX	0.84MAX	φ0.51	0.25MIN	4
5-1437144-8	FSN-23A-5= JUMPER NOMEX	2.54	76.2	3.18	0.35MAX	0.84MAX	φ0.51	0.25MIN	5
5-1437144-9	FSN-23A-6= JUMPER NOMEX	2.54	76.2	3.18	0.35MAX	0.84MAX	φ0.51	0.25MIN	6
6-1447187-9	FSN-23A-6PA= JUMPER (PA4.0)	2.54	76.2	4.00	0.35MAX	0.84MAX	φ0.51	0.25MIN	6
6-1437144-0	FSN-23A-7= JUMPER NOMEX	2.54	76.2	3.18	0.35MAX	0.84MAX	φ0.51	0.25MIN	7
7-1447187-1	FSN-23A-8-3.5= JUMPER (PL3.5)	2.54	76.2	3.18 ^{±0.76}	0.35MAX	0.84MAX	φ0.51	0.25MIN	8
3-1447187-1	FSN-23A-11-3.5= JUMPER (PL3.5)	2.54	76.2	3.18 ^{±0.76}	0.35MAX	0.84MAX	φ0.51	0.25MIN	11
6-1437144-3	FSN-23A-9= JUMPER NOMEX	2.54	76.2	3.18	0.35MAX	0.84MAX	φ0.51	0.25MIN	9
7-1447187-8	FSN-23B-12= JUMPER NOMEX	2.54	76.2	3.18	0.35MAX	0.84MAX	φ0.51	0.25MIN	12
4-1437145-8	FSN-24A-10= JUMPER NOMEX	2.54	101.6	3.18	0.35MAX	0.84MAX	φ0.51	0.25MIN	10
8-1447178-7	FSN-24A-12PA= JUMPER NOMEX	2.54	101.6	4.00	0.35MAX	0.84MAX	φ0.51	0.25MIN	12
5-1437145-4	FSN-24A-14= JUMPER NOMEX	2.54	101.6	3.18	0.35MAX	0.84MAX	φ0.51	0.25MIN	14
5-1437145-6	FSN-24A-15= JUMPER NOMEX	2.54	101.6	3.18	0.35MAX	0.84MAX	φ0.51	0.25MIN	15
6-1437145-4	FSN-24A-2= JUMPER NOMEX	2.54	101.6	3.18	0.35MAX	0.84MAX	φ0.51	0.25MIN	2
6-1437145-5	FSN-24A-20= JUMPER NOMEX	2.54	101.6	3.18	0.35MAX	0.84MAX	φ0.51	0.25MIN	20
7-1437145-1	FSN-24A-25= JUMPER NOMEX	2.54	101.6	3.18	0.35MAX	0.84MAX	φ0.51	0.25MIN	25
8-1437145-1	FSN-24A-4= JUMPER NOMEX	2.54	101.6	3.18	0.35MAX	0.84MAX	φ0.51	0.25MIN	4
8-1437145-4	FSN-24A-5= JUMPER NOMEX	2.54	101.6	3.18	0.35MAX	0.84MAX	φ0.51	0.25MIN	5
8-1437145-6	FSN-24A-7= JUMPER NOMEX	2.54	101.6	3.18	0.35MAX	0.84MAX	φ0.51	0.25MIN	7
8-1437145-8	FSN-24A-8= JUMPER NOMEX	2.54	101.6	3.18	0.35MAX	0.84MAX	φ0.51	0.25MIN	8
2-1447188-2	FSN-25A-10= JUMPER NOMEX	2.54	127.0	3.18	0.35MAX	0.84MAX	φ0.51	0.25MIN	10
2-1447188-4	FSN-25A-11= JUMPER NOMEX	2.54	127.0	3.18	0.35MAX	0.84MAX	φ0.51	0.25MIN	11
2-1447188-8	FSN-25A-15= JUMPER NOMEX	2.54	127.0	3.18	0.35MAX	0.84MAX	φ0.51	0.25MIN	15
3-1447188-3	FSN-25A-20= JUMPER NOMEX	2.54	127.0	3.18	0.35MAX	0.84MAX	φ0.51	0.25MIN	20
3-1447188-6	FSN-25A-22= JUMPER NOMEX	2.54	127.0	3.18	0.35MAX	0.84MAX	φ0.51	0.25MIN	22
4-1447188-0	FSN-25A-3= JUMPER NOMEX	2.54	127.0	3.18	0.35MAX	0.84MAX	φ0.51	0.25MIN	3
4-1447188-7	FSN-25A-6= JUMPER NOMEX	2.54	127.0	3.18	0.35MAX	0.84MAX	φ0.51	0.25MIN	6
4-1447188-9	FSN-25A-7= JUMPER NOMEX	2.54	127.0	3.18	0.35MAX	0.84MAX	φ0.51	0.25MIN	7
9-1437146-1	FSN-26A-12= JUMPER NOMEX	2.54	152.4	3.18	0.35MAX	0.84MAX	φ0.51	0.25MIN	12
9-1437146-3	FSN-26A-14= JUMPER NOMEX	2.54	152.4	3.18	0.35MAX	0.84MAX	φ0.51	0.25MIN	14
9-1437146-6	FSN-26A-16= JUMPER NOMEX	2.54	152.4	3.18	0.35MAX	0.84MAX	φ0.51	0.25MIN	16
6-1447188-3	FSN-26A-2= JUMPER NOMEX	2.54	152.4	3.18	0.35MAX	0.84MAX	φ0.51	0.25MIN	2
1437147-9	FSN-26A-4= JUMPER NOMEX	2.54	152.4	3.18	0.35MAX	0.84MAX	φ0.51	0.25MIN	4
1-1437147-1	FSN-26A-5= JUMPER NOMEX	2.54	152.4	3.18	0.35MAX	0.84MAX	φ0.51	0.25MIN	5
1-1437147-3	FSN-26A-7= JUMPER NOMEX	2.54	152.4	3.18	0.35MAX	0.84MAX	φ0.51	0.25MIN	7
6-1447188-8	FSN-26A-8= JUMPER NOMEX	2.54	152.4	3.18	0.35MAX	0.84MAX	φ0.51	0.25MIN	8
8-1437147-9	FSN-28A-3= JUMPER NOMEX	2.54	203.2	3.18	0.35MAX	0.84MAX	φ0.51	0.25MIN	3
9-1437147-1	FSN-28A-4= JUMPER NOMEX	2.54	203.2	3.18	0.35MAX	0.84MAX	φ0.51	0.25MIN	4
9-1437147-2	FSN-28A-5= JUMPER NOMEX	2.54	203.2	3.18	0.35MAX	0.84MAX	φ0.51	0.25MIN	5
9-1447188-0	FSN-29A-4= JUMPER NOMEX	2.54	228.6	3.18	0.35MAX	0.84MAX	φ0.51	0.25MIN	4
4-1437148-7	FSN-31A-3= JUMPER NOMEX	3.18	25.4	3.18	0.35MAX	0.84MAX	φ0.51	0.25MIN	3
8-1437149-9	FSN-52A-17= JUMPER NOMEX	5.08	50.8	3.18	0.35MAX	0.84MAX	φ0.51	0.25MIN	17
9-1437149-9	FSN-52A-2= JUMPER NOMEX	5.08	50.8	3.18	0.35MAX	0.84MAX	φ0.51	0.25MIN	2

THIS DRAWING IS A CONTROLLED DOCUMENT.

DWN -
CHK -
APVD -

SEE SHEET 1

PRODUCT SPEC 108-78002

APPLICATION SPEC -

WEIGHT 0

CUSTOMER DRAWING

TE Connectivity Ltd.

FLEXSTRIP JUMPER

SIZE A3 CAGE CODE 00779 DRAWING NO C-1447169 RESTRICTED TO -

SCALE NTS SHEET 9 OF 9 REV A8