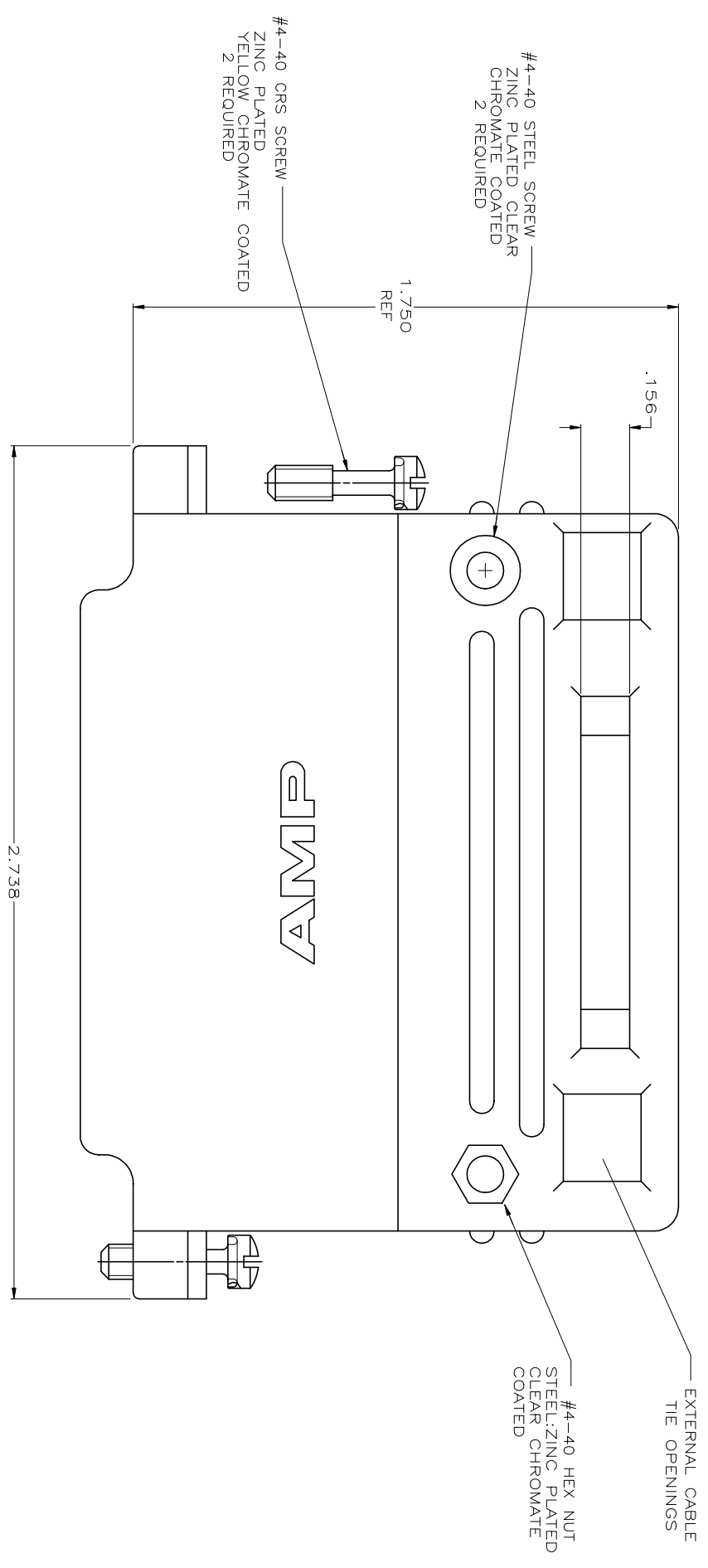
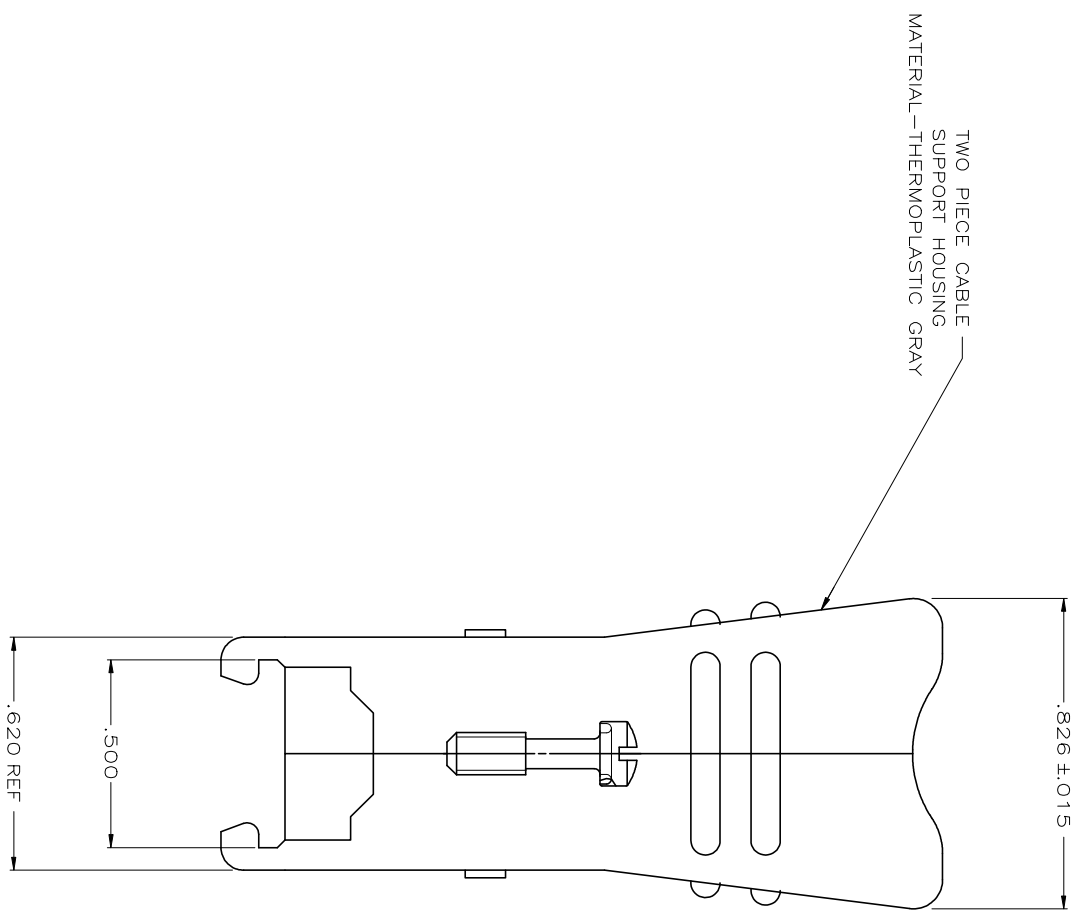
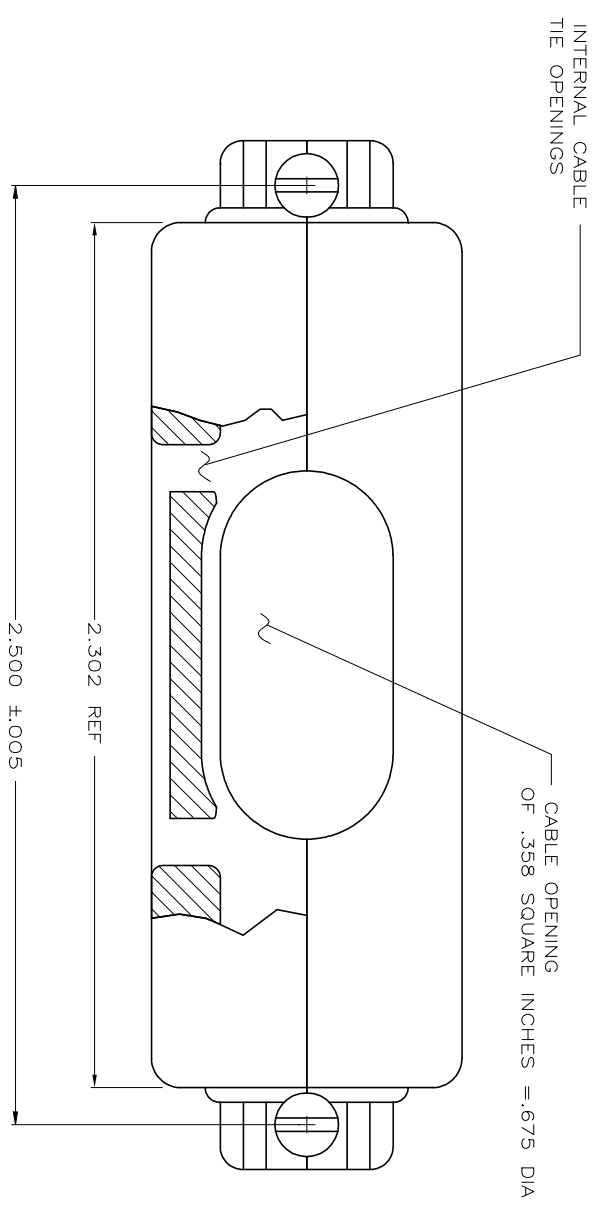


| REVISIONS | | DATE | BY |
|-----------|---------------------------|-----------|---------|
| A | REVISED PER ECO-20-005934 | 2/24/2020 | AK JW |

- 1 THIS PART WILL FIT ANY SIZE 4 PLUG OR RECEPTACLE IN THE AMPLIMITE SERIES CONNECTOR.
- 2 ALL PARTS ARE PACKAGED UNASSEMBLED.
- 3 ONE KIT PER POLY BAG.
- 4 SAME AS -1 EXCEPT BULK PACKAGED

OBSOLETE



| | | | |
|--|--|-----------|----|
| THIS DRAWING IS A CONTROLLED DOCUMENT. | | DATE | BY |
| DRAWN BY: R. RICHARDSON | | 13SEP2018 | |
| CHECKED BY: M. WALMSLEY | | 13SEP2018 | |
| DESIGNED BY: M. WALMSLEY | | | |
| PRODUCT SPEC: 90°/180° AMPLIMITE HD-20 | | | |
| APPLICATION SPEC: 90°/180° AMPLIMITE HD-20 | | | |
| MATERIAL: SEE CALLOUTS | | | |
| FINISH: SEE CALLOUTS | | | |
| WEIGHT: --- | | | |
| CUSTOMER DRAWING: --- | | | |

| | | |
|----------|---|-----------|
| OBSOLETE | A | 5745081-2 |
| OBSOLETE | 3 | 5745081-1 |

PACKAGING PART NUMBER

STE TE Connectivity

CABLE SUPPORT ASSEMBLY, SIZE 4, 37 POSITION, 90°/180° AMPLIMITE HD-20

SIZE: A1 CODE: 5745081