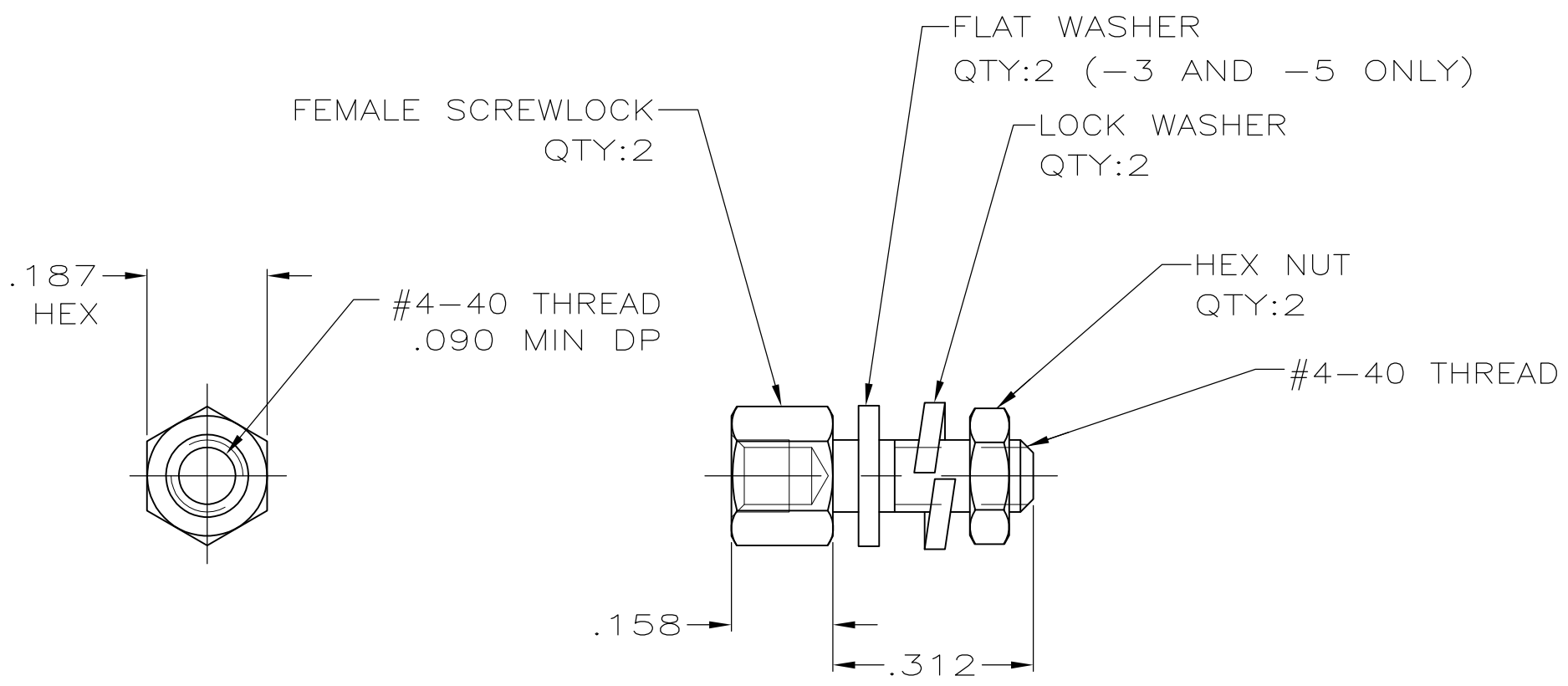


THIS DRAWING IS UNPUBLISHED. RELEASED FOR PUBLICATION
 © COPYRIGHT - By - ALL RIGHTS RESERVED.

LOC	DIST	REVISIONS					
GP	00	P	LTR	DESCRIPTION	DATE	DWN	APVD
		R		REVISED PER ECO-15-002171	04MAR2015	AP	PR



- PARTS PACKAGED UNASSEMBLED.
 - PARTS PACKAGED AS A UNIT KIT.
- 3 ZINC PLATING .000200-.000400 THICK, YELLOW CHROMATE COATING.
 4 ZINC PLATING .000200-.000400 THICK, CLEAR CHROMATE COATING.

4	W/ FLAT WASHER	5748271-5
	W/O FLAT WASHER	5748271-4
3	W/ FLAT WASHER	5748271-3
	W/O FLAT WASHER	5748271-1
FINISH	REMARKS	PART NUMBER

THIS DRAWING IS A CONTROLLED DOCUMENT.		DWN	S.WAITMAN	12JUL05	TE Connectivity			
DIMENSIONS: INCHES		CHK	C.ROHDE	12JUL05				
		APVD	M.WALMSLEY	12JUL05				
TOLERANCES UNLESS OTHERWISE SPECIFIED: 0 PLC ± - 1 PLC ± - 2 PLC ± - 3 PLC ± .005 4 PLC ± - ANGLES ± -		PRODUCT SPEC	NAME					FEMALE SCREWLOCK KIT, SHORT HEAD, .090 PANEL, AMPLIMITE
MATERIAL	STEEL	FINISH	3	APPLICATION SPEC	SIZE	CAGE CODE	DRAWING NO	RESTRICTED TO
				WEIGHT	A3 00779		C-5748271	
CUSTOMER DRAWING				SCALE	4:1	SHEET	1 OF 1	REV R