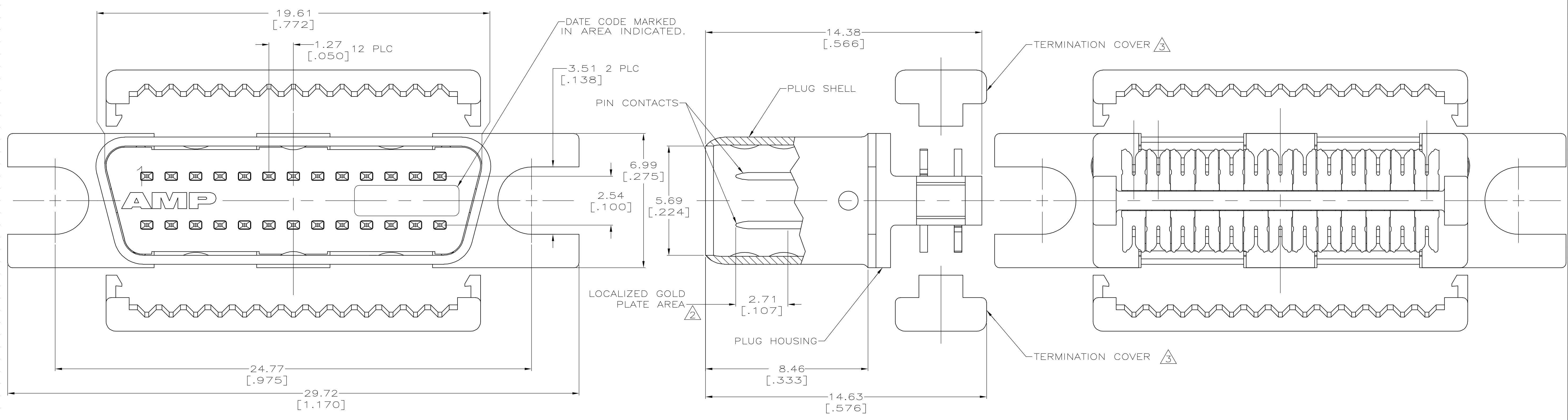
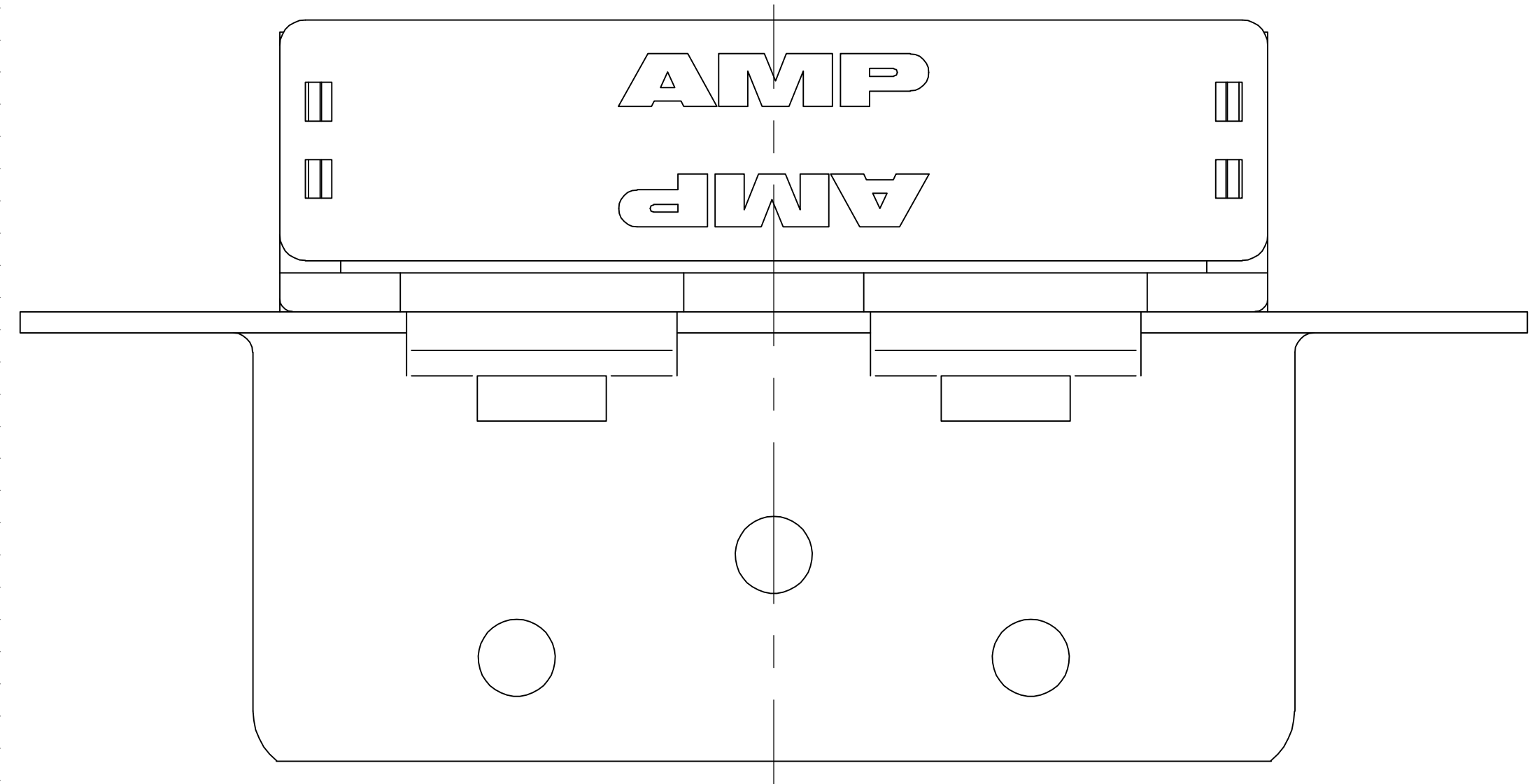


LOC		DIST		REVISIONS			
P	LTR	DATE	DWN	APPD			
GP	00	0					
DESCRIPTION				DATE		DWN	APPD
O				RELEASED PER EC 0513-0684-04		02-23-05	LV JG

- 1 MATERIAL:
 PIN CONTACTS: PHOSPHOR BRONZE.
 PLUG SHELL: STEEL.
 PLUG HOUSING AND TERMINATION COVERS: UL V-O RATED POLYESTER THERMOPLASTIC, COLOR BLACK.
- 2 FINISH:
 PIN CONTACTS: 0.00076 [.000030] MINIMUM GOLD PLATE IN LOCALIZED GOLD PLATE AREA, 0.00127 [.000050] MINIMUM TIN PLATE IN TERMINATION AREA, ALL OVER 0.00127 [.000050] MINIMUM NICKEL.
 PLUG SHELL: 0.00508 [.000200] MINIMUM TIN PLATE OVER 0.00127 [.000050] MINIMUM COPPER.
- 3 TERMINATION COVERS ARE PACKAGED SEPARATELY.
- 4. DIMENSIONS IN BRACKETS ARE IN INCHES.
- 5. RECOMMENDED WIRE:
 28 AWG- 0.81 [.032] MAX O.D. PVC OR POLYETHYLENE INSULATION.



5750833-1
 PART NO

**COPYRIGHT 2005
 TYCO ELECTRONICS CORP
 ALL RIGHTS RESERVED**

THIS DRAWING IS A CONTROLLED DOCUMENT.		DWN L. VARELA - DOCK5 02-23-05	DRK S. SHUEY 02-23-05	APVD M. WALMSLEY 02-23-05	NAME L. VARELA - DOCK5	PRODUCT SPEC PLUG KIT, CABLE CONNECTOR, 26 POSITION, SLIMLINE, AMPLITUDE .050 Series	APPLICATION SPEC -	SIZE A1100779	SCALE 4:1	WEIGHT -	RESTRICTED TO CUSTOMER DRAWING
DIMENSIONS: mm[INCHES]		TOLERANCES UNLESS OTHERWISE SPECIFIED:		APPROVED		DATE		SHEET		REV	
0 PLC ± -		1 PLC ± -		2 PLC ± 0.13 [.005]		3 PLC ± -		4 PLC ± -		ANGLES ± -	
MATERIAL		FINISH		SIZE		SCALE		SHEET		REV	
1		2		3		4		1		0	

OBsolete
NOT THE LATEST REVISION