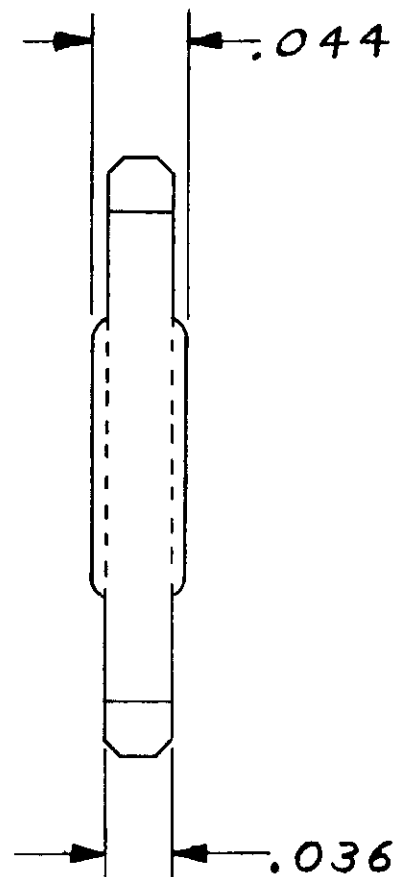
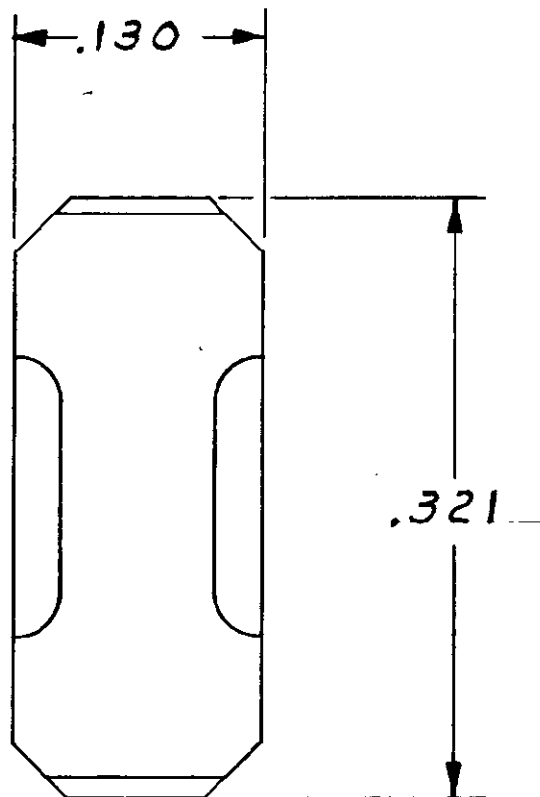


© 1969 BY AMP INCORPORATED. ALL RIGHTS RESERVED. AMP PRODUCTS COVERED BY PATENTS AND/OR PATENTS PENDING.

REVISIONS				
ZONE	LTR	DESCRIPTION	DATE	APPROVED
✓	0	REL, WAS 5155-76 (CP17)	RHF 3-17-69	



583462-1: 1.A5 SHOWN

△. MATL. NYLON
COLOR: NATURAL

UNLESS OTHERWISE SPECIFIED DIMENSIONS ARE IN INCHES
TOLERANCES ON:
DECIMALS ±.005
ANGLES ±

MATERIAL



CONTRACT NO.

DR. *M. Smith* 1-22-69

CHK. *Stute* 3/12/69

APPD. *J. Kaufman* 3/19/69

REC. *R. Shovan* 3/21/69

DSGN APPD

OTHER APPD



AMP INCORPORATED
HARRISBURG, PENNSYLVANIA

NAME
PLUG-KEYING, MODIFIED
FORK CONNECTOR

SIZE
B

CODE IDENT NO.
00779

NUMBER
583462

SCALE
10-1

SHEET

LOC AD
PART DIST 0/14