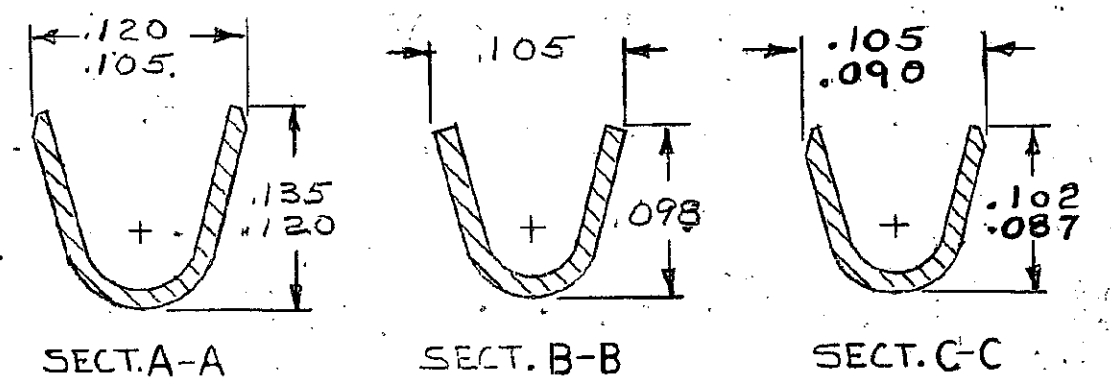
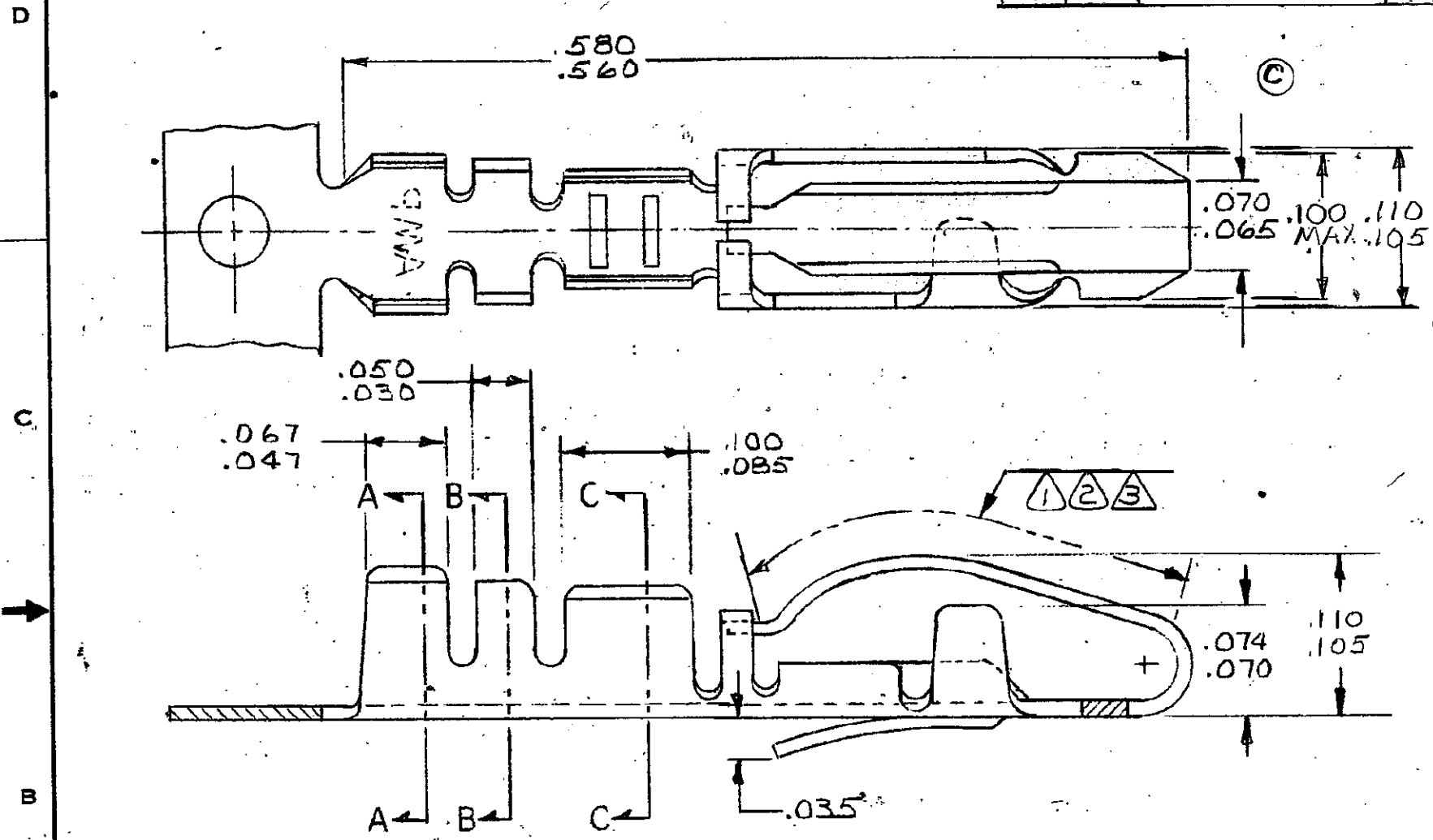


DRAWING MADE IN AMERICAN PROJECTION

© 1970 BY AMP INCORPORATED. ALL RIGHTS RESERVED. AMP PRODUCTS COVERED BY PATENTS AND/OR PATENTS PENDING.

REVISIONS				
ZONE	LTR	DESCRIPTION	DATE	APPROVED
✓				
✓				
✓	HWR	J2 REVISED PER ECO-13-005696	01AUG13	MM
✓				



- ① .000010 GOLD ON CONTACT AREA, OVER .000050 NICKEL, REMAINDER OF CONTACT NICKEL PLATED,
- ② .000030 GOLD ON CONTACT AREA, OVER .000050 NICKEL, REMAINDER OF CONTACT NICKEL PLATED.
- ③ .000015 GOLD ON CONTACT AREA OVER .000050 NICKEL, REMAINDER OF CONTACT NICKEL PLATED.
- ④ 583555-3 SUPERSEDED
- ⑤ OBSOLETE PART

A	PART No. STD. REELING R-L FEED	PART No. MINI-APPLICATOR L-R FEED	FINISH	WIRE RANGE	INS. RANGE	PART No. LOOSE PIECE
	583555-1	583555-2	①	22-18	.055-.080	---
	583555-3 ④	583555-4	②			---
	583555-5	583555-6 ⑤	③			583989-6

UNLESS OTHERWISE SPECIFIED DIMENSIONS ARE IN INCHES. TOLERANCES ON: DECIMALS ± .005 ANGLES ±	CONTRACT NO.		STE TE Connectivity	
	DR	Rumble 4-18-73		
	CHK	M. Zupler 5-18-73	NAME	
	APPD	J. Kaufman 5-21-73	AMP-LEAF CONTACT, STRIP	
MATERIAL	REL	REL	REL	
.010 COML. PHOS. BRONZE,	DSGN APPD	REL	REL	
	OTHER APPD	REL	REL	
	SIZE	CODE IDENT NO.	NUMBER	
	B	00779	583555	
	SCALE	NTS	SHEET	1 of 1

PRINT DIST. 122