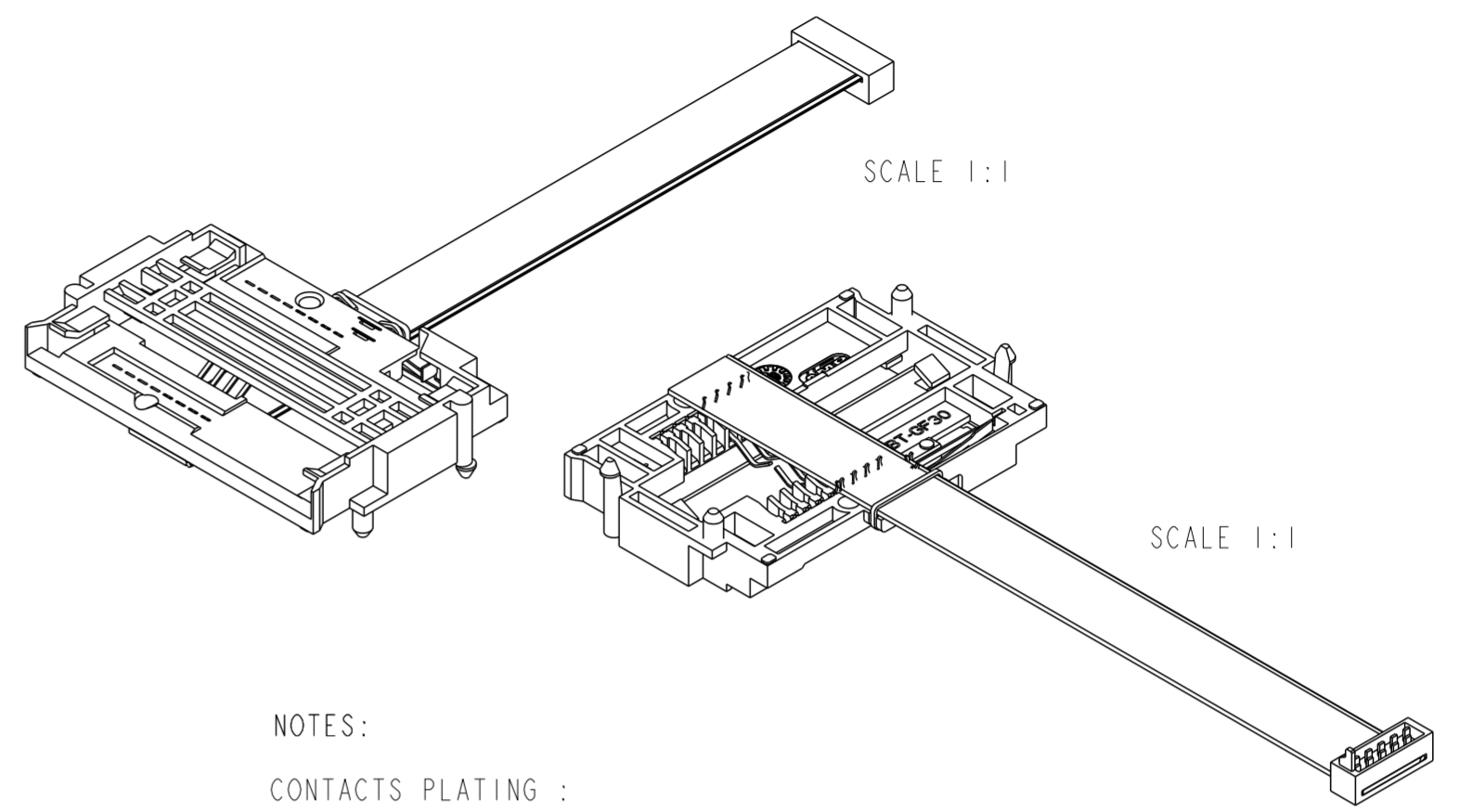
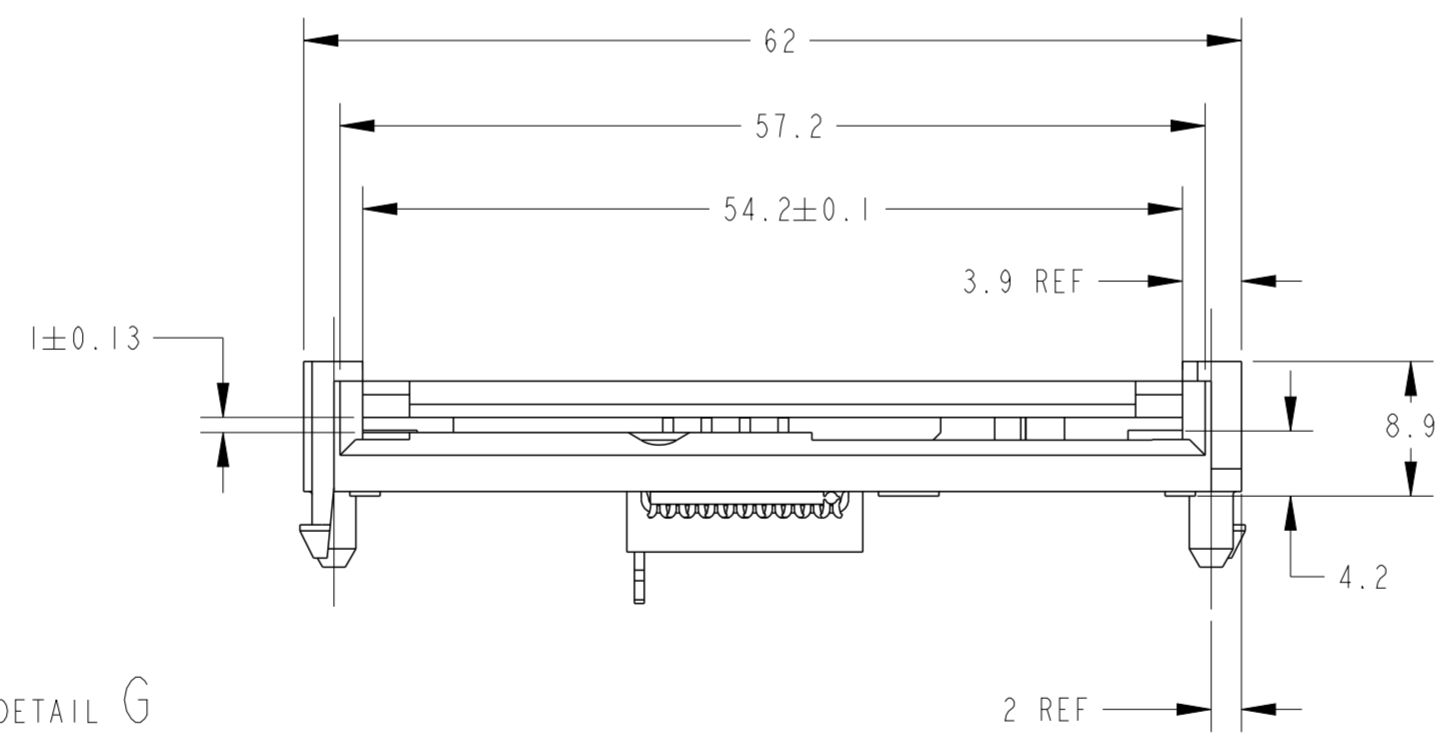
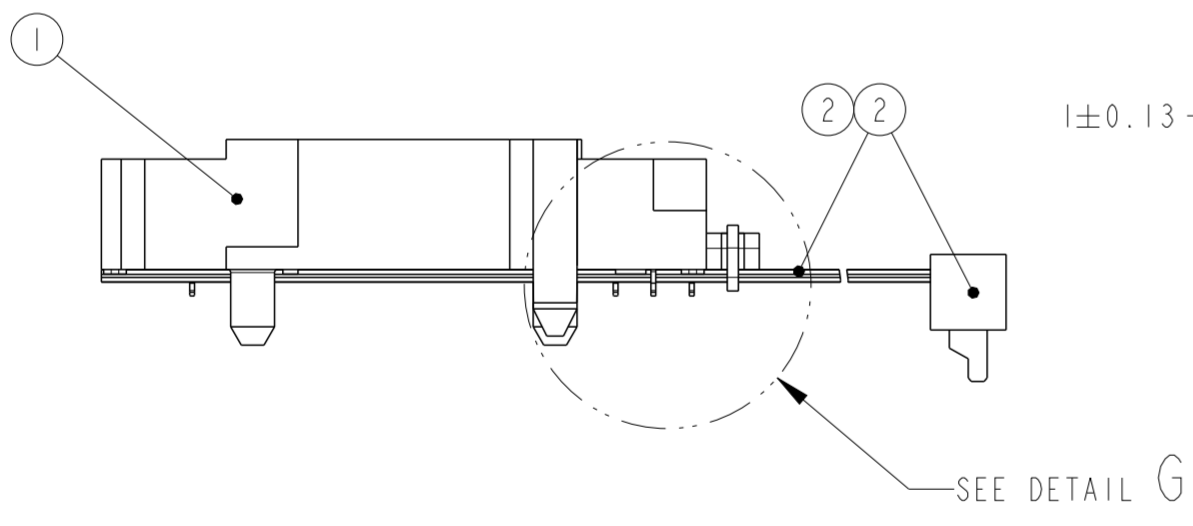
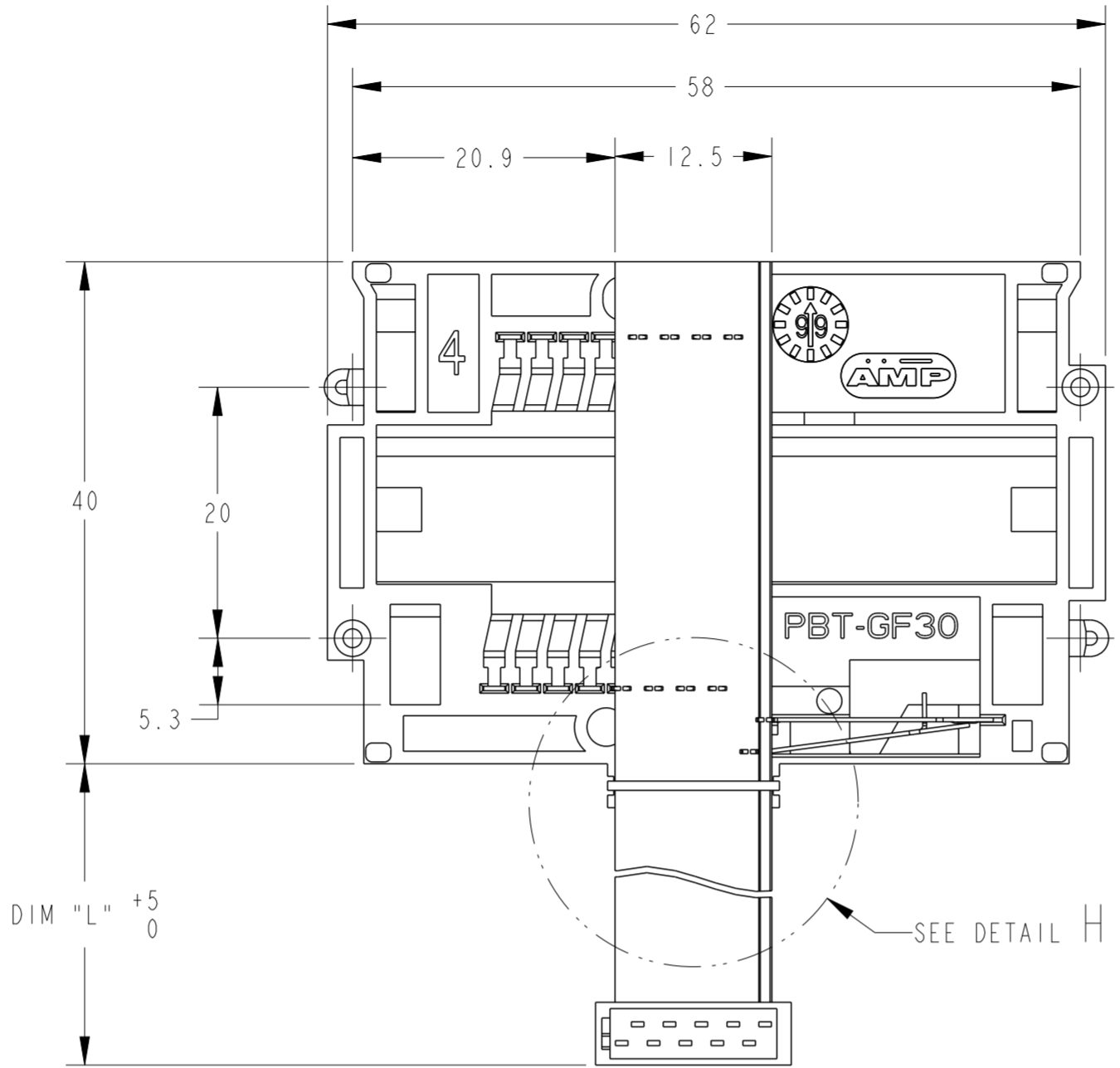
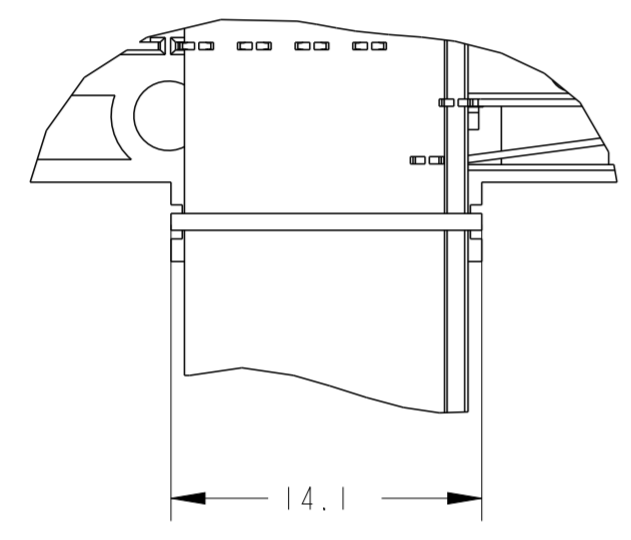
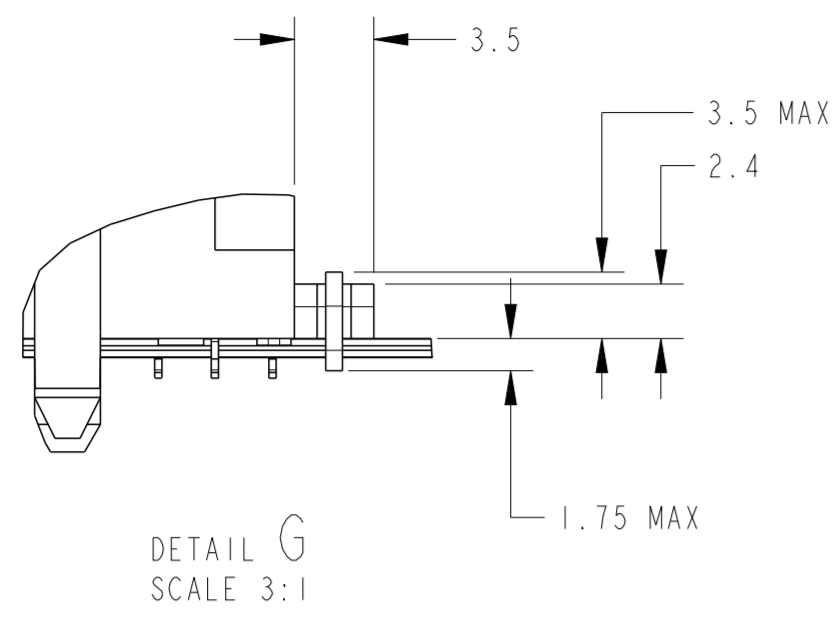


THIS DRAWING IS UNPUBLISHED. RELEASED FOR PUBLICATION
 © COPYRIGHT - ALL RIGHTS RESERVED.

LOC	DIST	REVISIONS			
P	LTR	DESCRIPTION	DATE	DWN	APVD
IR	-	B3	ECR-13-005824	27OCT2014	GG RRP



NOTES:

CONTACTS PLATING :

- 1 OVERALL: Ni 2µm MIN, ALL OVER THE CONTACTS.
- SOLDER ZONE: Sn 2.5µm MIN ON THE SOLDER ZONE OF THE CONTACTS.
- MATING ZONE: PLATING CONFIRMS TO PRODUCT REQUIREMENTS AS PER SPECIFICATION 108-15174.

MATERIAL :

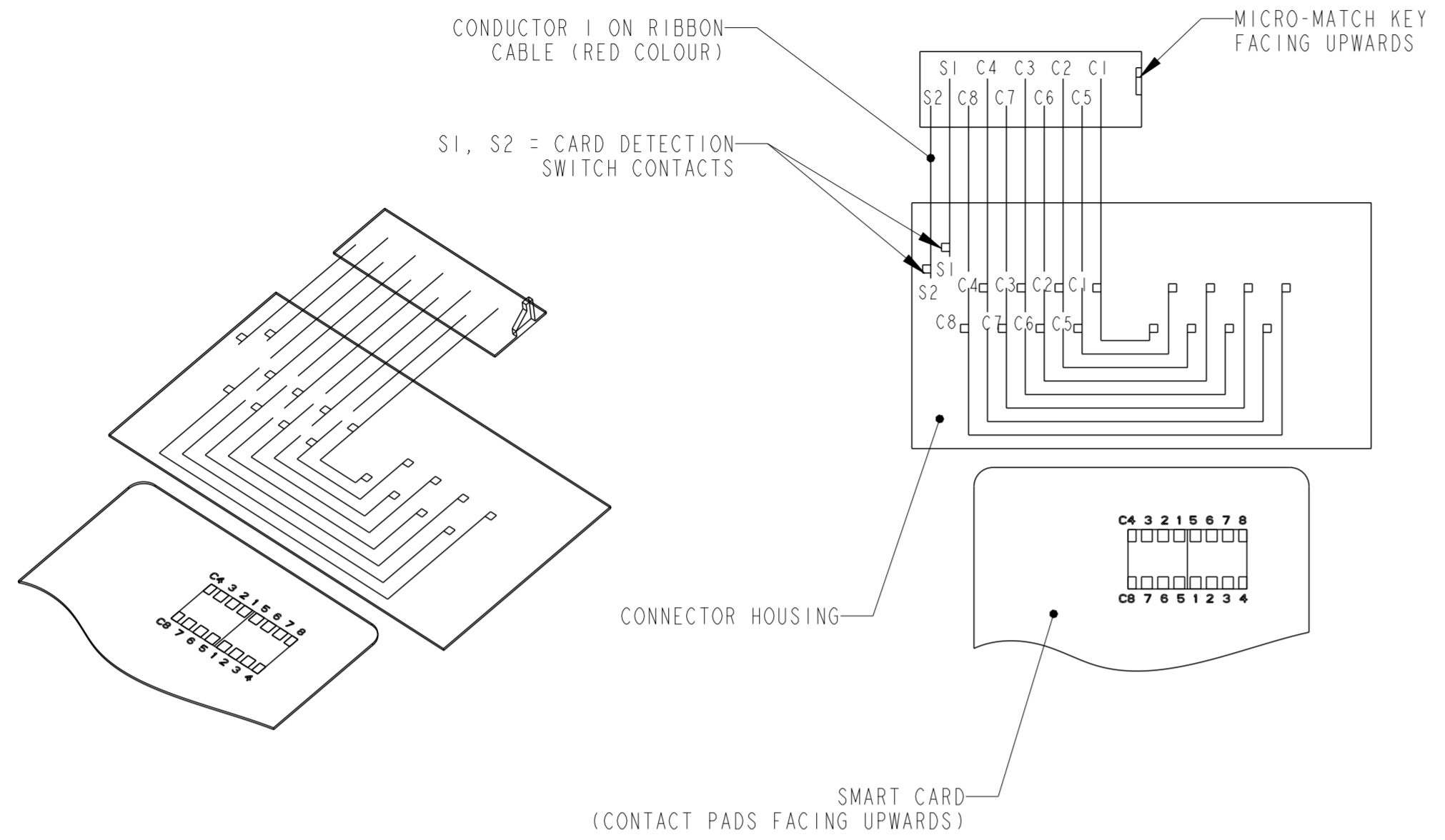
- 2 HOUSING: PBT-GF, BLACK UL 94V0.
- CONTACTS: PHOSPHOR BRONZE.
- 3 TE SMART CARD RECEPTACLE DESIGNED TO ACCEPT ISO 7810-7816 TYPE INTEGRATED CIRCUIT SMART CARDS (0.76MM REF. THICKNESS) SEE SHEET 2/2
- 4 UL STYLE 2651 RIBBON CABLE AND, 10 POSITIONS MICRO-MATCH CONNECTOR; TO BE MATED WITH 1-215079-0 THROUGH HOLE VERSION OR 1-188275-0 SMT VERSION.

ASS'Y P/N 5953131	OBSOLETE					DESCRIPTION	ITEM
	-5	-4	-3	-2	-1		
						FERRITE CORE (SEE SHEET 2)	3
						RIBBON CABLE ASS'Y, L = 80mm	2
						RIBBON CABLE ASS'Y, L = 150mm	2
						RIBBON CABLE ASS'Y, L = 305mm	2
						RIBBON CABLE ASS'Y, L = 100mm	2
						SMART CARD READER ASS'Y 8 POS. WITH METAL STRAIN RELIEF	1
						Qty per ASS'Y	

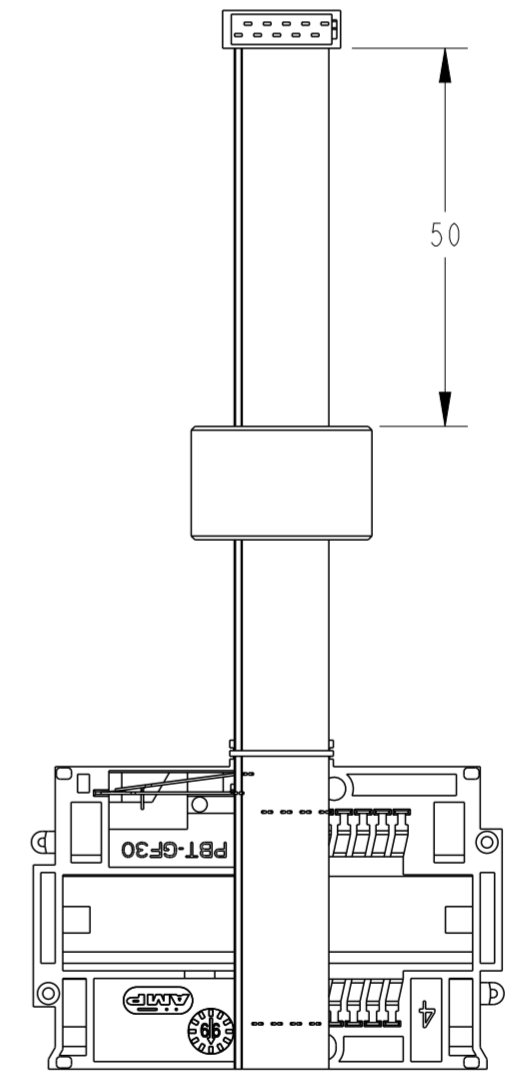
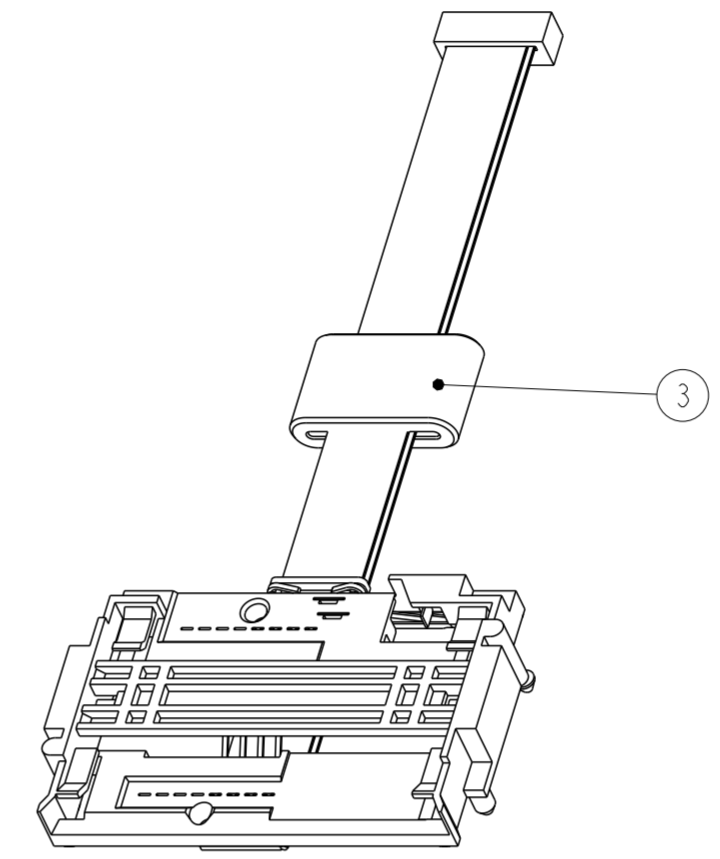
THIS DRAWING IS A CONTROLLED DOCUMENT.		DWN R. Coolen	30-Nov-04	TE Connectivity SMART CARD READER WITH RIBBON CABLE 8 POSITIONS	
DIMENSIONS: mm		CHK W. Jansen			
TOLERANCES UNLESS OTHERWISE SPECIFIED:		APVD P. Jaeger		NAME	
0 PLC ±0,3		PRODUCT SPEC	108-15174	SIZE	
1 PLC ±0,3		APPLICATION SPEC		CAGE CODE	
2 PLC ±0,3		WEIGHT		DRAWING NO	
3 PLC ±				RESTRICTED TO	
4 PLC ±				SCALE 2:1	
ANGLES ±				SHEET 1 OF 2	
FINISH				REV B3	
MATERIAL		CUSTOMER DRAWING			

THIS DRAWING IS UNPUBLISHED. RELEASED FOR PUBLICATION
 © COPYRIGHT - ALL RIGHTS RESERVED.

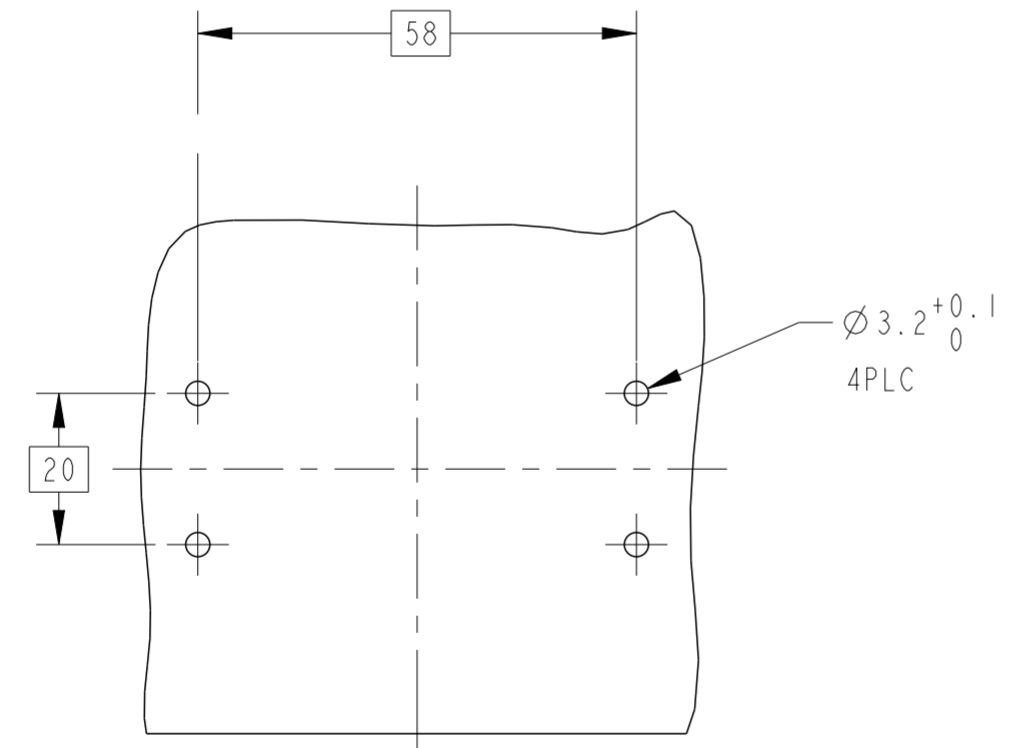
LOC	DIST	REVISIONS					
		P	LTR	DESCRIPTION	DATE	DWN	APVD
IR	-	-	-	SEE SHEET 1	-	-	-



ELECTRICAL DIAGRAM



PN 5953131-5 AS SHOWN



SMART CARD
INSERTION DIRECTION

RECOMMENDED LAYOUT

CONNECTOR SIDE
 BOARD THICKNESS = 1.57mm
 POSITION TOLERANCE FOR ALL HOLES $\varnothing 0.1$

THIS DRAWING IS A CONTROLLED DOCUMENT.		DWN R. Coolen	30-Nov-04	STE TE Connectivity	
DIMENSIONS: mm		CHK W. Jansen	APVD P. Jaeger		
TOLERANCES UNLESS OTHERWISE SPECIFIED:		PRODUCT SPEC		SIZE A2	CAGE CODE
0 PLC ±0,3		APPLICATION SPEC		DRAWING NO C-5953131	RESTRICTED TO
1 PLC ±0,3		WEIGHT		SCALE 2:1	SHEET 2 OF 2
2 PLC ±0,3		MATERIAL		REV B3	
3 PLC ±		FINISH			
4 PLC ±		CUSTOMER DRAWING			
ANGLES ±					