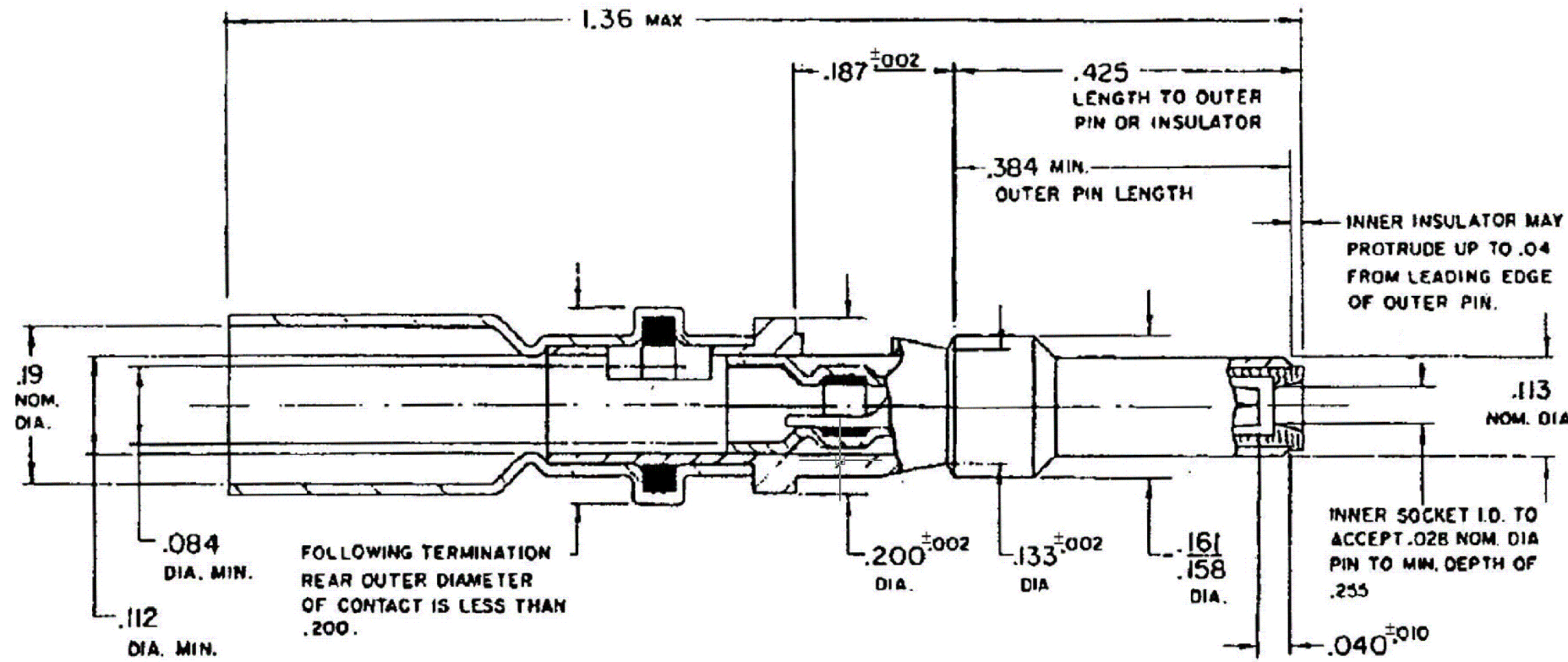


| P | LTR | DESCRIPTION | DATE | DWN | APVD |
|---|-----|----------------------|-----------|-----|------|
| | H | AS PER ECO-20-003687 | 10MAR2020 | MG | UV |



CONTACT CHARACTERISTICS:
MATERIALS

OUTER BODY: BRASS, UNS ALLOY NO.C36000 TEMPER H02, SPEC ASTM B16.
 PLATING: GOLD PER ASTM B488 (MIL-G-45204) OVER NICKEL PER QQ-N-290 AND COPPER FLASH
 INNER CONTACT: BERYLLIUM COPPER, UNS ALLOY NO.C17300 TEMPER TH04, SPEC ASTM B196, OR UNS ALLOY NO. C17200, TEMPER TH04, SPEC ASTM B194.
 PLATING: GOLD PER ASTM B488 (MIL-G-45204) OVER NICKEL PER QQ-N-290 AND COPPER FLASH.
 DIELECTRIC: FLUOROPOLYMER.
 SOLDER: SN63 IN ACCORDANCE WITH ANSVJ-STD-006
 CABLE SUPPORT: POLYVINYLIDENE HEAT SHRINKABLE TUBING

PERFORMANCE:

TEMPERATURE RATING: 125°C MAXIMUM.
 CURRENT RATING: 3 AMPS
 VOLTAGE RATING: DIELECTRIC WITHSTANDING VOLTAGE 900 VOLTS RMS, MAXIMUM.
 CONTACT RESISTANCE: 5 MILLIOHMS MAXIMUM.
 INSULATION RESISTANCE: 5 GIGAOHM MINIMUM.

NOTES:

- THIS CONTACT IS DESIGNED FOR USE IN MIL-C-26482 SERIES I CONNECTORS AND FITS IN STANDARD SIZE 12 CAVITIES.
- THIS CONTACT IS DESIGNED TO ACCOMODATE COAXIAL CABLE:

| RG CABLE NO. | TE CONNECTIVITY CABLE NO. |
|--------------|---------------------------|
| RG-174/U | 5024A IXIX |
| RG-179 A/U | 5026A IXIX |
| RG-316 | 5028A IXIX |
| | 5030A IXIX |
| | 7528A IXIX |
| | 7530A IXIX |
| | 9532A IXIX |

- SEE ES 61161 FOR TERMINATION PROCEDURE.
- MATING CONTACT (FOR SIMILAR CABLES): D-602-16

| | | | | | |
|--|--|--|--|---|--|
| THIS DRAWING IS A CONTROLLED DOCUMENT. | | DWN M.GOWDA 10MAR2020 | | TE Connectivity | |
| | | CHK N.HEGDE 10MAR2020 | | | |
| DIMENSIONS: INCHES | | TOLERANCES UNLESS OTHERWISE SPECIFIED: | | NAME | |
| | | 0 PLC ± - | | COAXIAL CONTACT #12 PIN | |
| | | 1 PLC ± - | | | |
| | | 2 PLC ± - | | | |
| | | 3 PLC ± - | | | |
| | | 4 PLC ± - | | PRODUCT SPEC | |
| | | ANGLES ± - | | APPLICATION SPEC | |
| MATERIAL | | FINISH | | SIZE CAGE CODE DRAWING NO RESTRICTED TO | |
| | | | | A3 06090 C-D-602-17 | |
| CUSTOMER DRAWING | | | | SCALE DNS SHEET 1 OF 1 REV H | |