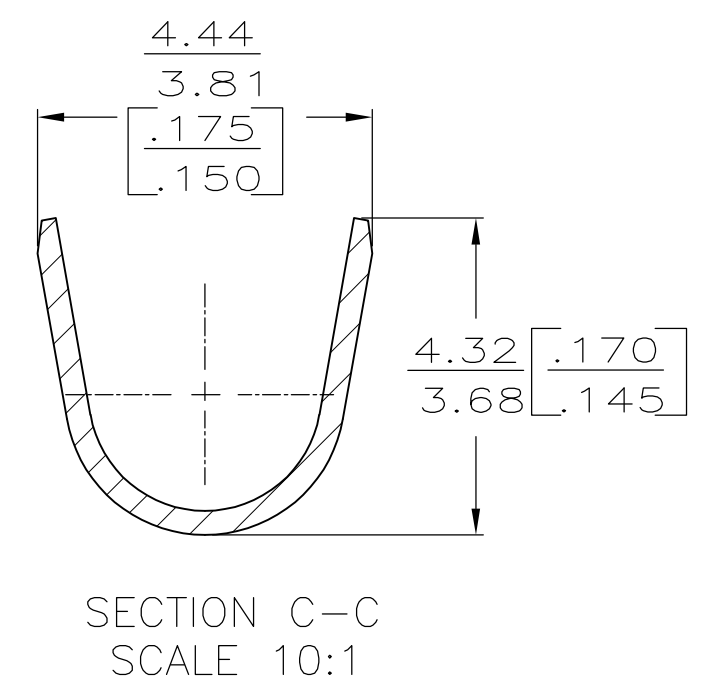
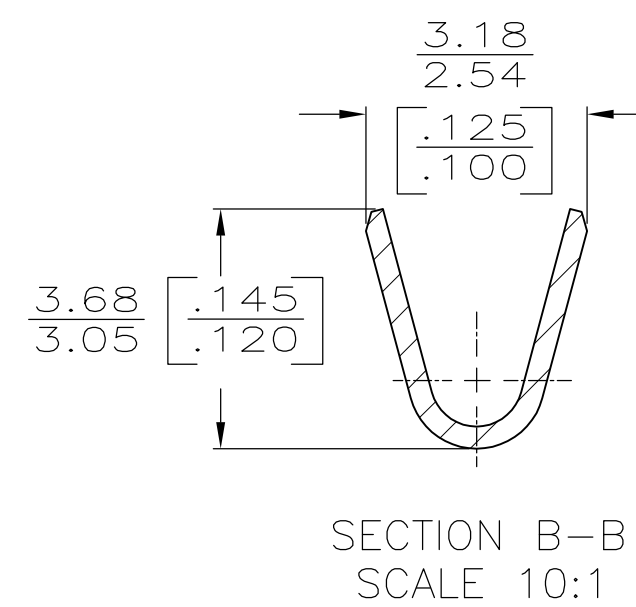
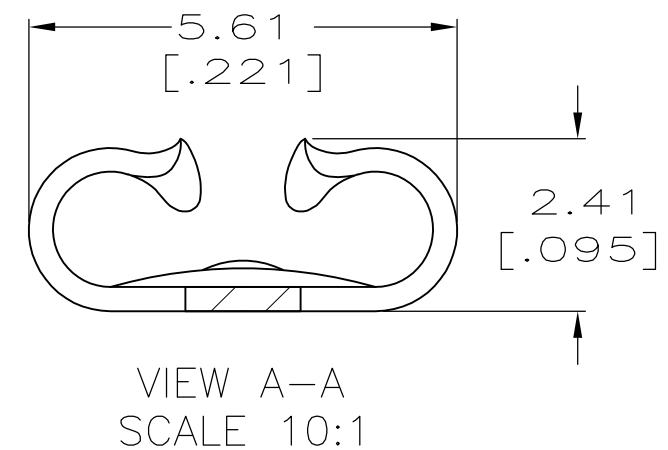
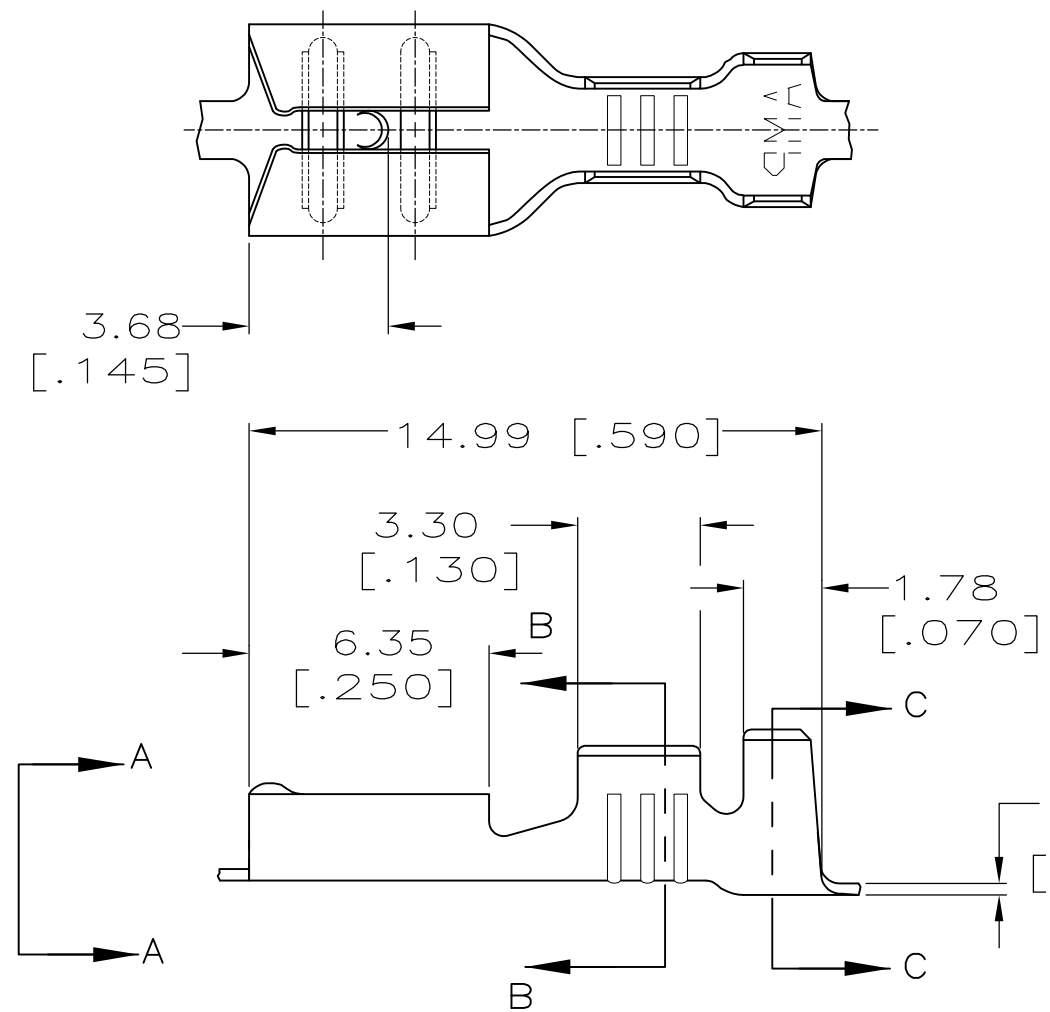


THIS DRAWING IS UNPUBLISHED. RELEASED FOR PUBLICATION  
 © COPYRIGHT - By - ALL RIGHTS RESERVED.

LOC	DIST	REVISIONS			
P	LTR	DESCRIPTION	DATE	DWN	APVD
AF	50	S2	REVISED PER ECR-15-010442	14JULY2015	PK TD

- CONTINUOUS STRIP ON REELS.
- MATING TAB THK IS  $0.81 \pm 0.025$   
[.032 ± .001].
- WIRE SIZE IS [20-16] AWG.
- INSULATION RANGE IS 2.29-3.30  
[.090-.130] DIA.
- 60196-8 REFERS TO 60196-1 WITH PAPER INTERLAYER



-	-	60196-8 <sup>5</sup>
60196-3	TIN	60196-2
-	-	60196-1
LOOSE PIECE	FINISH	PART NO

THIS DRAWING IS A CONTROLLED DOCUMENT.		DWN	JR RUTH	8/27/91	TE Connectivity RECEPTACLE, FASTON, 4.75 [.187] SERIES
DIMENSIONS: INCHES		CHK	P FORTNEY	8/27/91	
		APVD	C MEYERS	8/27/91	
TOLERANCES UNLESS OTHERWISE SPECIFIED: 0 PLC ± - 1 PLC ± - 2 PLC ± 0.38 [.015] 3 PLC ± - 4 PLC ± - ANGLES ± -		PRODUCT SPEC	-	-	
MATERIAL	BRASS	FINISH	SEE TABLE	WEIGHT	-
CUSTOMER DRAWING		SIZE	A3	CAGE CODE	00779
SCALE		5:1	DRAWING NO	C-60196	
SHEET		1 OF 1	RESTRICTED TO	-	
REV		S2			