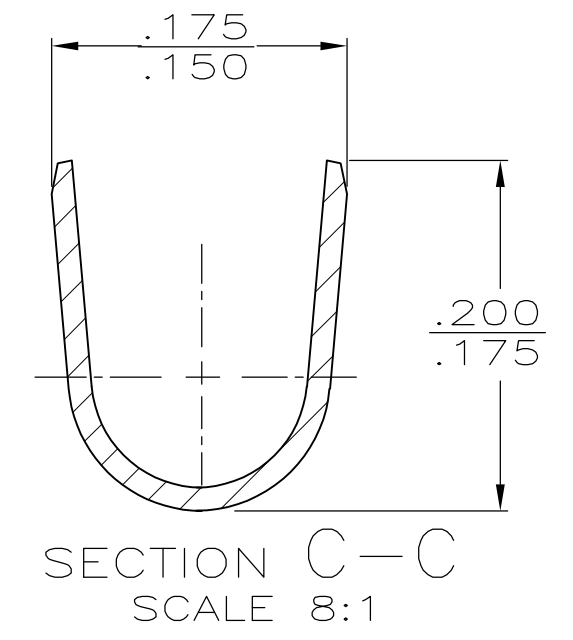
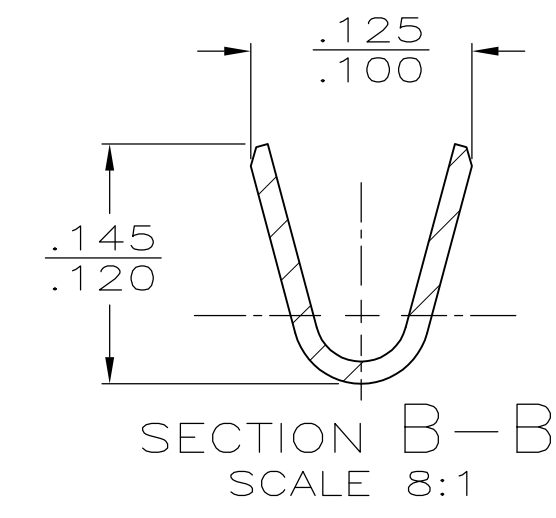
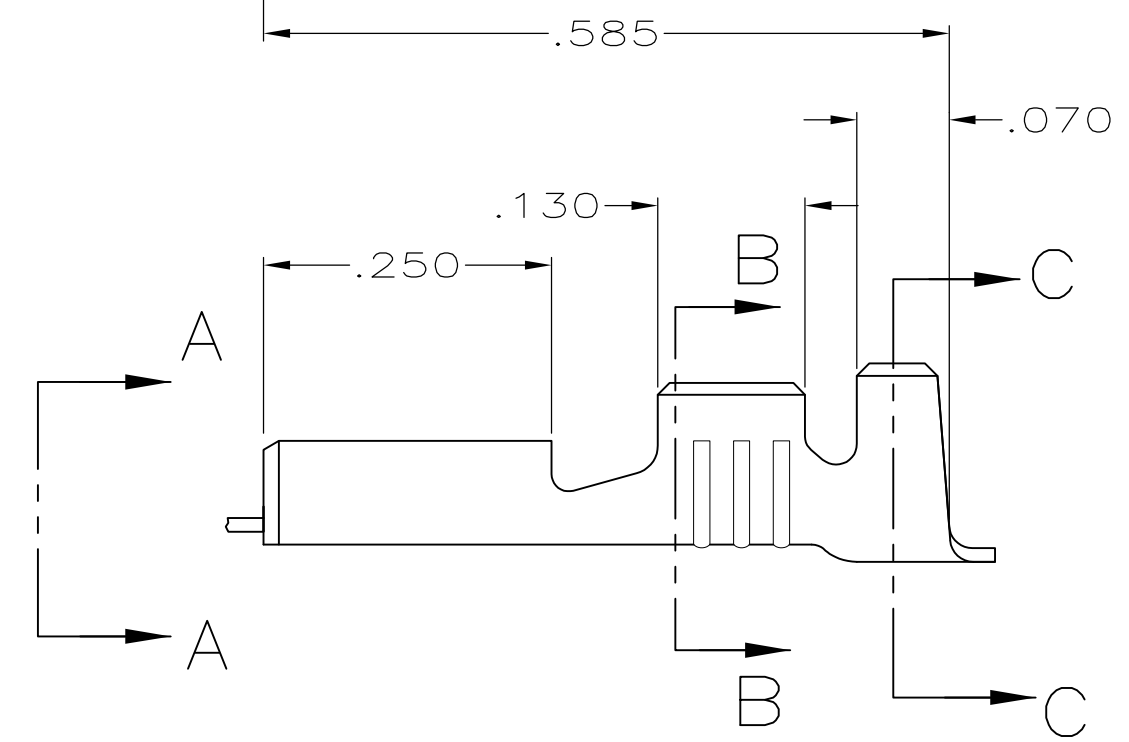
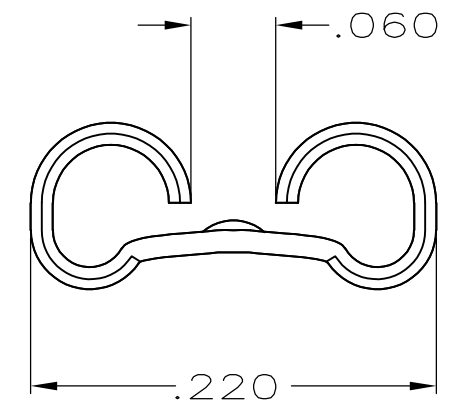
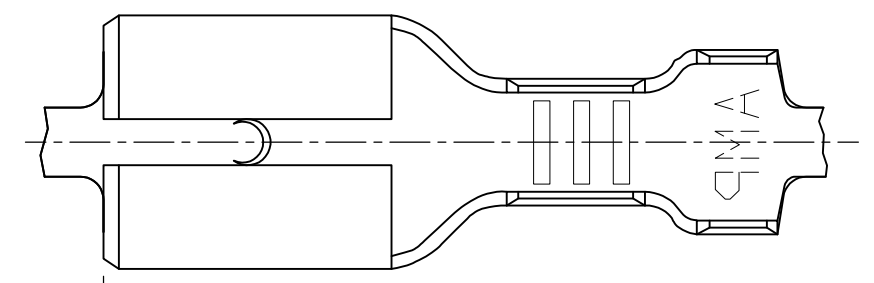


THIS DRAWING IS UNPUBLISHED. RELEASED FOR PUBLICATION
 © COPYRIGHT - By - ALL RIGHTS RESERVED.

LOC	DIST	REVISIONS			
P	LTR	DESCRIPTION	DATE	DWN	APVD
AF	50				
	Y2	REVISED PER ECR-15-010442	14JULY2015	PK	TD

- 1 CONTINUOUS STRIP ON REELS
- 2 MATING TAB THK IS .020±.001
- 3 WIRE SIZE IS #20-#16 AWG
- 4 INSULATION RANGE IS .090-.130 DIA
- 5 60214-3 REFERS TO 60214-1 WITH PAPER INTERLAYER.



-	BRASS	5 60214-3
TIN	BRASS	60214-2
-	BRASS	60214-1
FINISH	MATERIAL	PART NO.

THIS DRAWING IS A CONTROLLED DOCUMENT.		DWN	JR RUTH	10/27/89	TE Connectivity						
DIMENSIONS: INCHES		CHK	MS FEHER	10/27/89				NAME RECEPTACLE, FASTON, .187 SERIES			
		APVD	C MEYERS	10/27/89							SIZE A3
TOLERANCES UNLESS OTHERWISE SPECIFIED: 0 PLC ± - 1 PLC ± - 2 PLC ± - 3 PLC ± .015 4 PLC ± - ANGLES ± -		PRODUCT SPEC	-	CAGE CODE 00779				DRAWING NO C-60214	RESTRICTED TO -		
MATERIAL SEE TABLE		FINISH	SEE TABLE	WEIGHT	-	SCALE	6:1	SHEET	1 OF 1	REV	Y2
		CUSTOMER DRAWING									