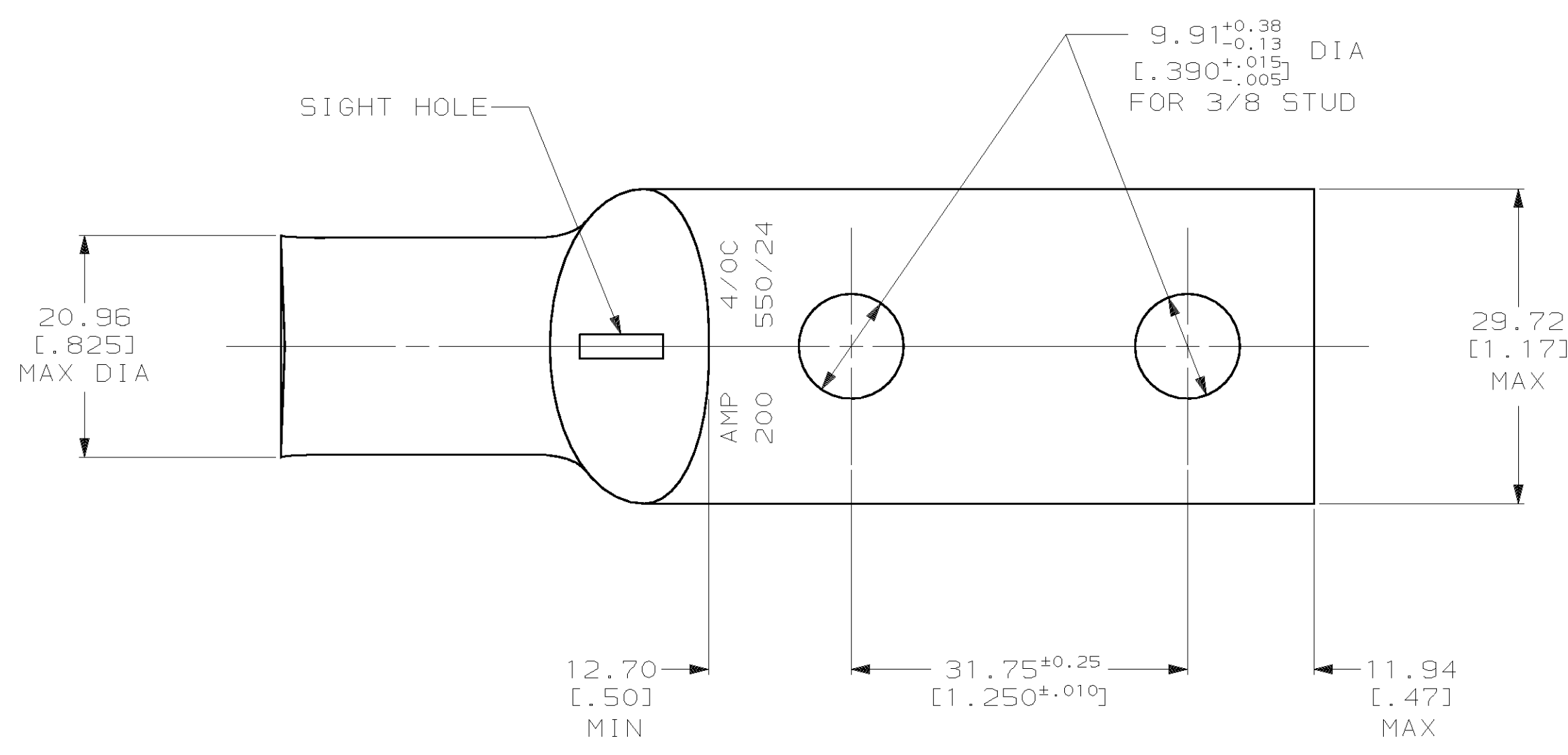
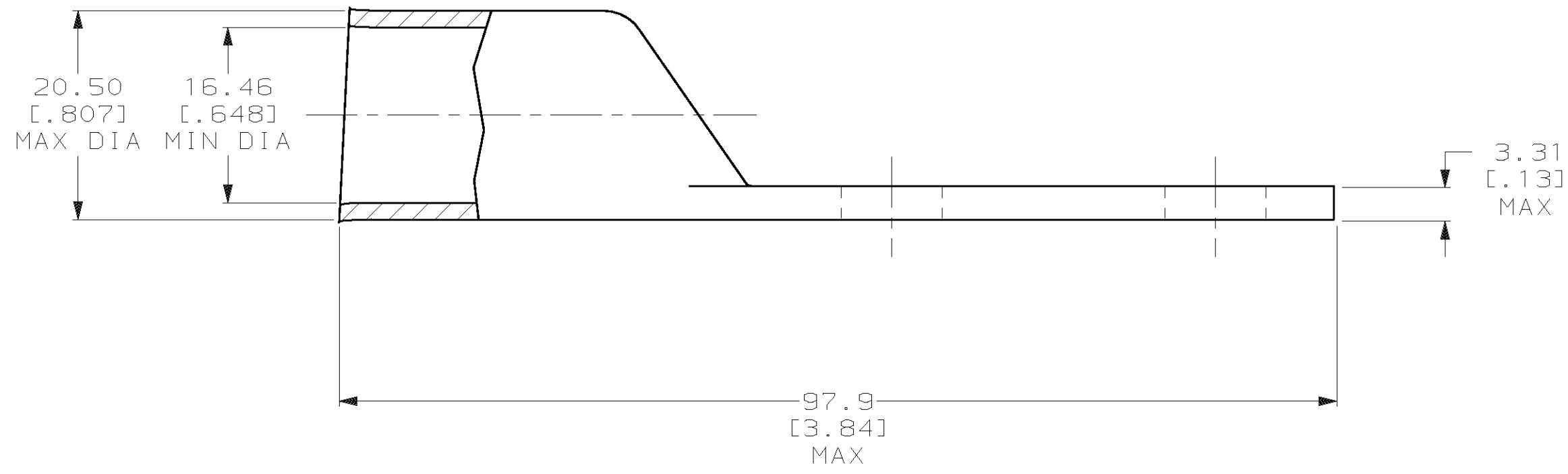


THIS DRAWING IS UNPUBLISHED. RELEASED FOR PUBLICATION  
 © COPYRIGHT 19 BY AMP INCORPORATED. ALL INTERNATIONAL RIGHTS RESERVED.

LOC		DIST		P		F		ZONE		LTR		REVISIONS		DATE	APPD
G		86										D REV PER 063A-0561-01		09OCT02	JR HS



- 1 TIN PL 0.00381 [0.000100] MIN THK PER MIL-T-10727
- 2 CIRCULAR MIL RANGE: 190,000-231,000 CM



605686-1

PART NO

DO NOT SCALE PRINT.  
 UNLESS SPECIFIED  
 DIMENSIONS IN mm [INCHES]  
 TOLERANCES ON:  
 2 PLC DEC ± 0.51 [0.020]  
 3 PLC DEC ± -  
 ANGLES ± -

MATERIAL  
 COPPER ASTM B-75  
 ANNEALED

DR 12/9/91  
 DK SCHRUM

CHK 12/11/91  
 AJ KAUFMAN

APPD 12/11/91  
 WJ VOCKROTH

APPD 12/11/91  
 AJ ADELMANN

PRODUCT SPEC  
 -

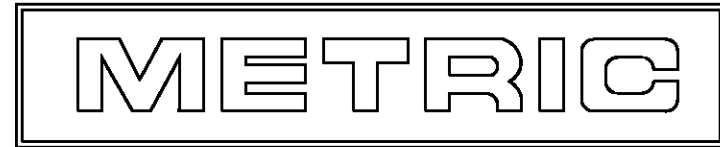
APPLICATION SPEC  
 -

WEIGHT  
 -



AMP Incorporated  
 Harrisburg, PA 17105-3608

NAME  
 TERMINAL, AMPOWER,  
 WIRE SIZE: 4/0 AWG



FINISH  
 -

SIZE  
 C 00779

SCALE  
 2:1

CAGE CODE  
 00779

DRAWING NO  
 605686

SHEET  
 1 OF 1